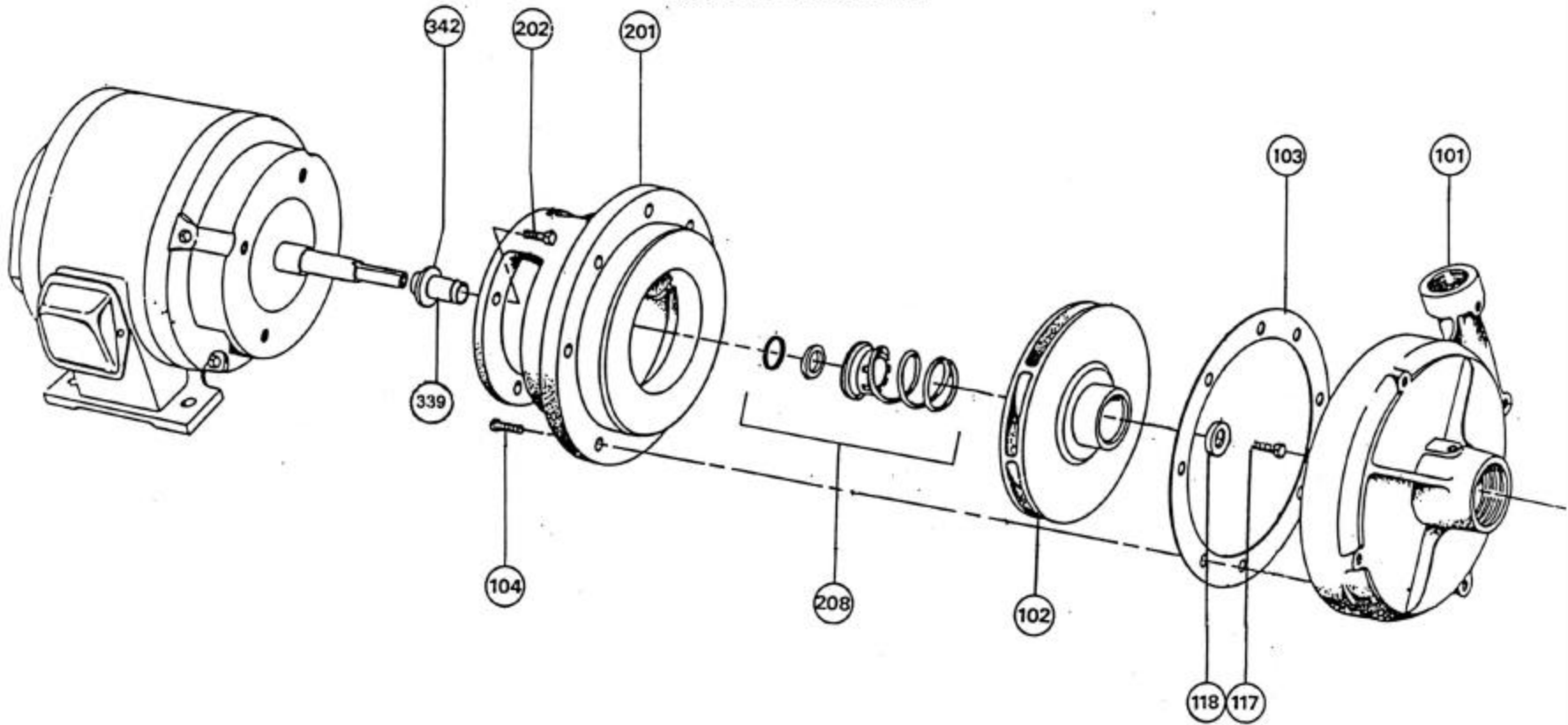


B&G 1531 - Armstrong 4280 Old Style, Tangential, Motor Mounted Pumps

EXPLODED VIEW



Item	Description	Page	Item	Description	Page	Item	Description	Page
101	Volute	2 to 3	117	Impeller Capscrew	11	208	Mechanical Seal Assy.	12
102	Impeller	4 to 7	118	Impeller Washer	11	339	Shaft Sleeve Kit	12
103	Volute Gasket	12	201	Motor/Pump Bracket	8 to 10	342	Water Slinger	13
104	Volute Capscrew	13	202	M/P Bracket Capscrew	13			