

CIRCULATOR PARTS

CROSS REFERENCE

FLANGES

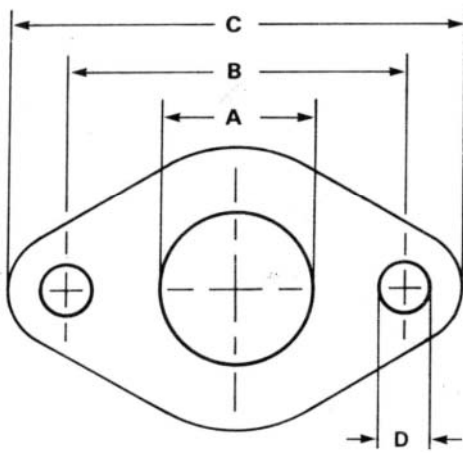


Diagram 1

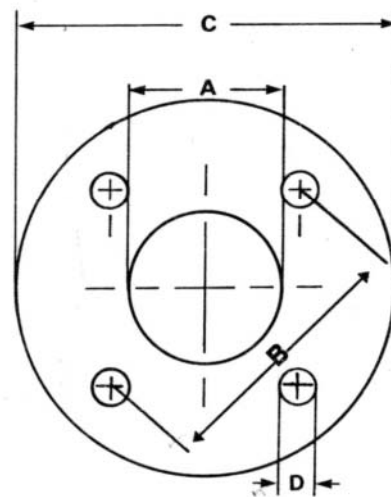


Diagram 2

DIA.	DIMENSION				MATERIAL	PART NUMBER		MODEL NO.		BAR CODE
	NO.	NPT	B	C		D	B&G	ARMSTRONG	B&G	
1	3/4"	3 5/32"	-	1/2"	C.I.	P00740	816013-011	75	S-25 - 3/4"	
1	3/4"	3 5/32"	-	1/2"	BRONZE	118347	816013-041	75	S-25 - 3/4"	
1	1"	3 5/32"	-	1/2"	C.I.	P01510	816012-011	100	S-25 - 1"	
1	1"	3 5/32"	-	1/2"	BRONZE	118356	816012-041	100	S-25 - 1"	
1	1 1/4"	3 5/32"	-	1/2"	C.I.	P03250	816011-011	125	S-25 - 1 1/4"	
1	1 1/4"	3 5/32"	-	1/2"	BRONZE	P06640	816011-041	125	S-25 - 1 1/4"	
1	1 1/2"	3 5/32"	-	1/2"	C.I.	P03430	816009-011	150	S-25 - 1 1/2"	
1	1 1/2"	3 5/32"	-	1/2"	BRONZE	P03450	816009-041	150	S-25 - 1 1/2"	
1	1 1/2"	3 7/16"	-	1/2"	C.I.	P03410	804301-011	1 1/2HV	S-34, H-32	
1	1 1/2"	3 7/16"	-	1/2"	BRONZE	P06690	804301-041	1 1/2HV	S-34, H-32	

CIRCULATOR PARTS

CROSS REFERENCE

FLANGES

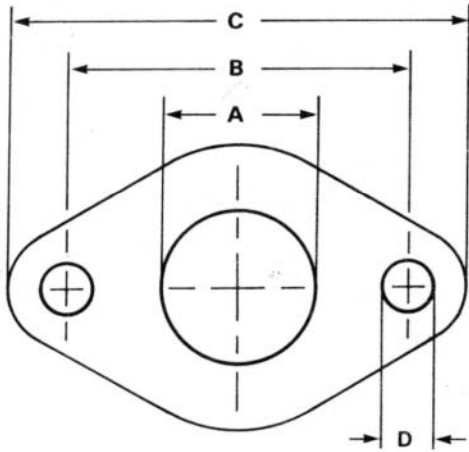


Diagram 1

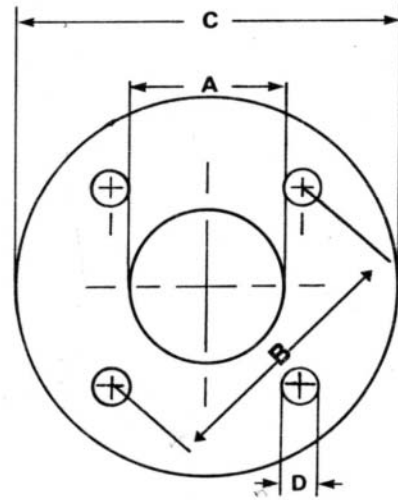


Diagram 2

DIA.	DIMENSION				MATERIA	PART NUMBER		MODEL NO.		BAR
	NO.	NPT	B	C		D	B&G	ARMSTRONG	B&G	
2	2"	3 3/4"	4 7/8"	9/16"	C.I.	N/A	805210-011	N/A	S-35	
2	2"	3 3/4"	4 7/8"	9/16"	BRONZE	N/A	805210-041	N/A	S-35	
2	2 1/2"	5 1/16"	6"	9/16"	C.I.	P03560	805189-011	2.5	S-45	
2	2 1/2"	5 1/16"	6"	9/16"	BRONZE	P06750	805189-041	2.5	S-45	
2	3"	5 1/16"	6"	9/16"	C.I.	F74000	805188-011	3LD, 3HD	S-45, S-46	
2	3"	5 1/16"	6"	9/16"	BRONZE	F74800	805188-041	3LD, 3HD	S-45, S-46	
2	3"	5 1/16"	6"	9/16"	C.I.	F74000	805188-011	PD35,	S-55, S-57	
2	3"	5 1/16"	6"	9/16"	BRONZE	F74800	805188-041	PD35,	S-55, S-57	
1	1"	3 7/16"	-	1/2"	C.I.	P01500	806073-011	1" HV	H-32	
1	1"	3 7/16"	-	1/2"	BRONZE	P06620	806073-041	1" HV	H-32	

CIRCULATOR PARTS

CROSS REFERENCE

FLANGES

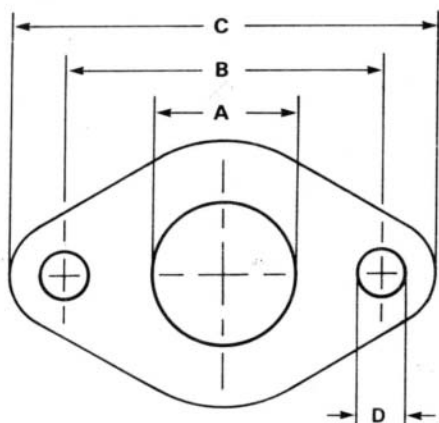


Diagram 1

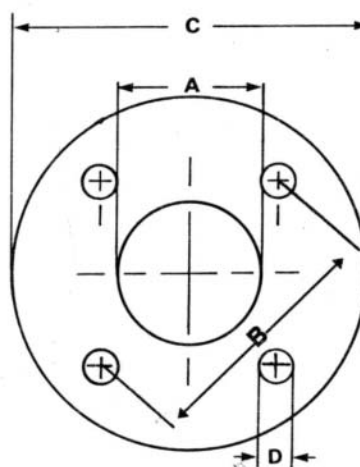


Diagram 2

DIA. NO.	DIMENSION				MATERIA	PART NUMBER		MODEL NO.		BAR CODE
	NPT	B	C	D		B&G	ARMSTRONG	B&G	ARMSTRONG	
1	1 1/4"	3 7/16"	-	1/2"	C.I.	P03300	804300-011	1 1/4" HV	H-32	
1	1 1/4"	3 7/16"	-	1/2"	BRONZE	P06660	804300-041	1 1/4" HV	H-32	
2	3"	6"	7 1/2"	3/4"	C.I.	A24600	833615-010	PD39	S-69	
2	3"	6"	7 1/2"	3/4"	BRONZE	N/A	806466-041	N/A	S-69	
1	1 1/2"	3 5/32"	-	1/2"	C.I.	P03430	816009-011	60-13	H-53	
1	1 1/2"	3 5/32"	-	1/2"	BRONZE	P03450	816009-041	60-13	H-53	
1	1 1/2"	3 7/16"	-	1/2"	C.I.	P03410	804301-011	60-15TO60-17	H-63 TO H-65	
1	1 1/2"	3 7/16"	-	1/2"	BRONZE	P06690	804301-041	60-15TO60-17	H-63 TO H-65	
2	2"	3 5/32"	5 1/8"	5/8"	C.I.	118066	806074-011	60-14,18 TO 21	H-54,H66 TO H68	
2	2"	3 5/32"	5 1/8"	5/8"	BRONZE	118097	806074-041	60-14,18 TO 21	H-54,H66 TO H68	