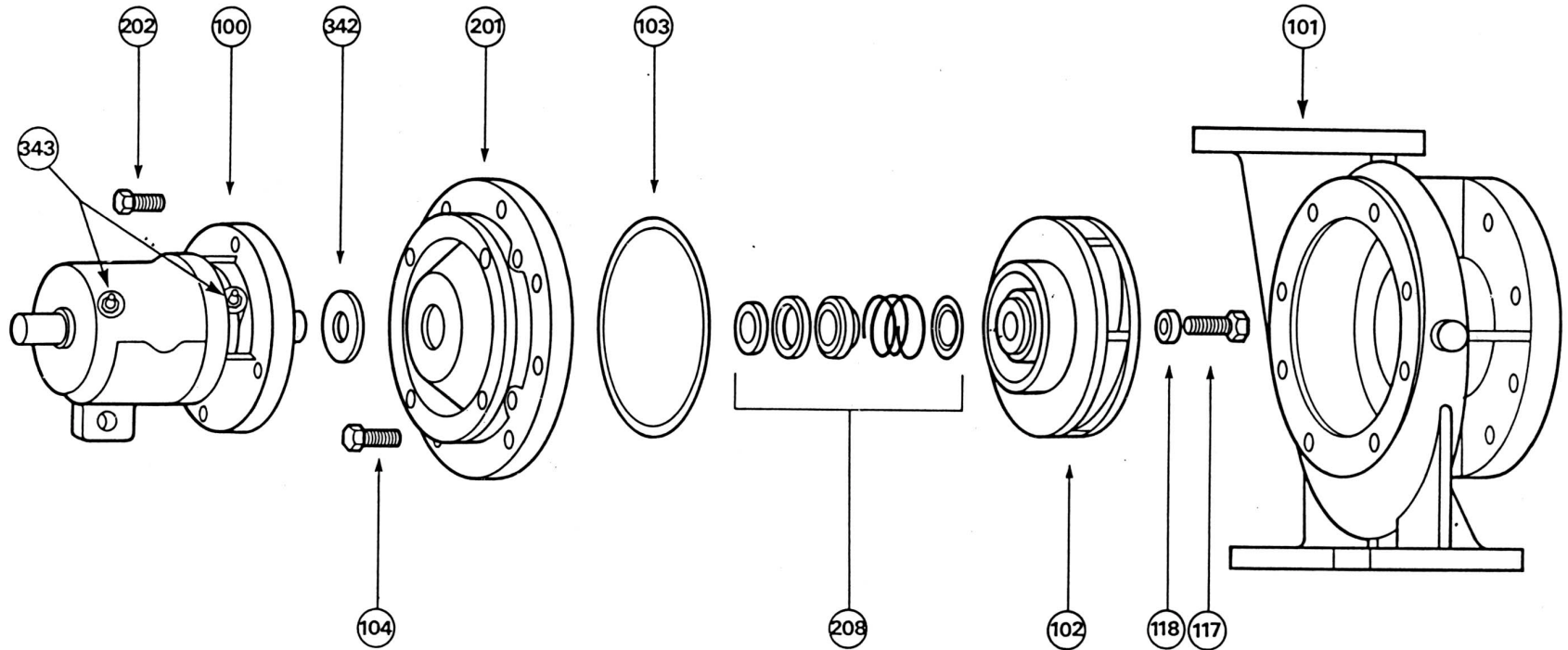


# B&G 1510 ----- ARMSTRONG 4030 OLD STYLE, TANGENTIAL, BASE MOUNTED PUMPS

## EXPLODED VIEW

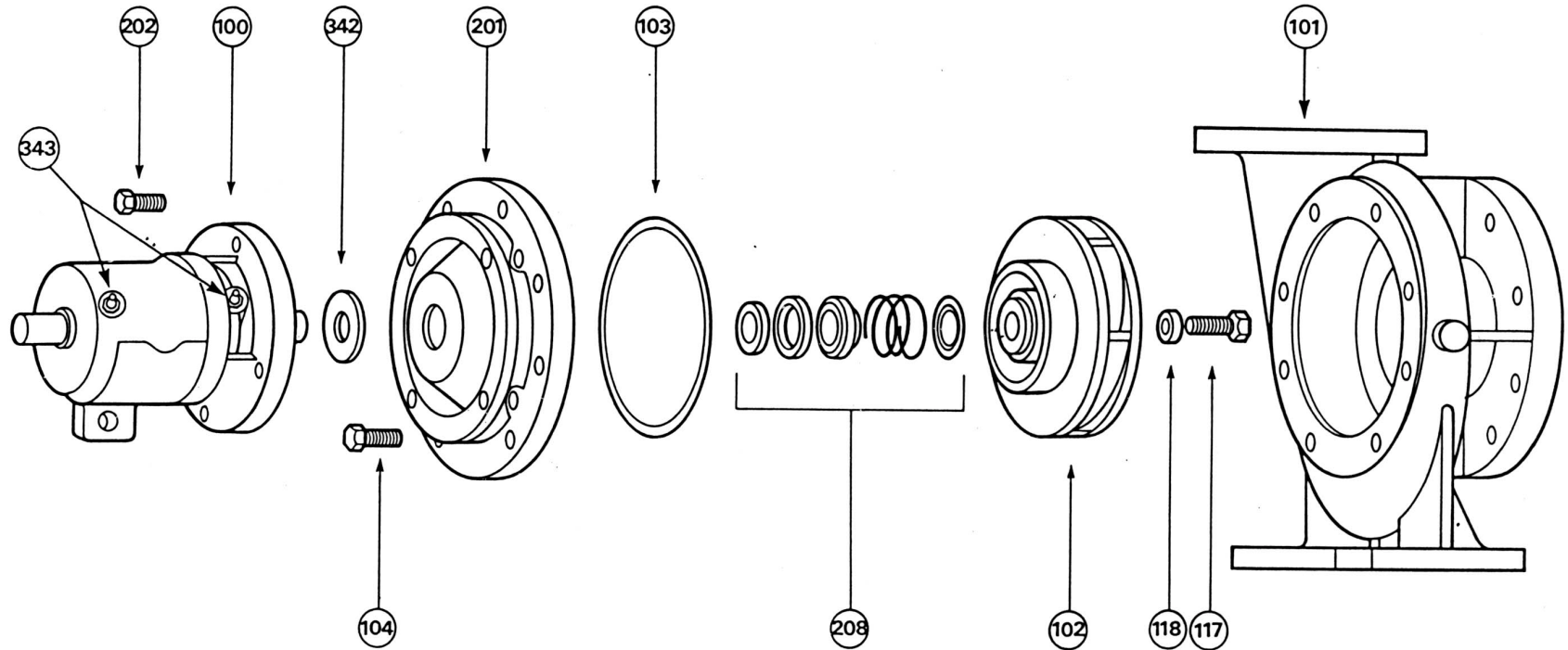


### INDEX

| ITEM | DESCRIPTION      | PAGE   | ITEM | DESCRIPTION       | PAGE | ITEM | DESCRIPTION           | PAGE |
|------|------------------|--------|------|-------------------|------|------|-----------------------|------|
| 100  | BRG. FRAME ASSY. | 15     | 104  | VOLUTE CAPSCREW   | 17   | 202  | COVERPLATE CAPSCREW   | 18   |
| 101  | VOLUTE           | 3 to 4 | 117  | IMPELLER CAPSCREW | 14   | 208  | MECHANICAL SEAL ASSY. | 15   |
| 102  | IMPELLER         | 5 to 9 | 118  | IMPELLER WASHER   | 14   | 342  | WATER SLINGER         | 18   |
| 103  | VOLUTE GASKET    | 16     | 201  | COVERPLATE        | 16   |      | COUPLER               | 18   |

# B&G UNIVERSAL ----- ARMSTRONG 4020 OLD STYLE, TANGENTIAL, BASE MOUNTED PUMPS

## EXPLODED VIEW



### INDEX

| ITEM | DESCRIPTION      | PAGE     | ITEM | DESCRIPTION       | PAGE | ITEM | DESCRIPTION           | PAGE |
|------|------------------|----------|------|-------------------|------|------|-----------------------|------|
| 100  | BRG. FRAME ASSY. | 15       | 104  | VOLUTE CAPSCREW   | 17   | 202  | COVERPLATE CAPSCREW   | 18   |
| 101  | VOLUTE           | 3 to 4   | 117  | IMPELLER CAPSCREW | 14   | 208  | MECHANICAL SEAL ASSY. | 15   |
| 102  | IMPELLER         | 10 to 13 | 118  | IMPELLER WASHER   | 14   | 342  | WATER SLINGER         | 18   |
| 103  | VOLUTE GASKET    | 16       | 201  | COVERPLATE        | 16   |      | COUPLER               | 19   |