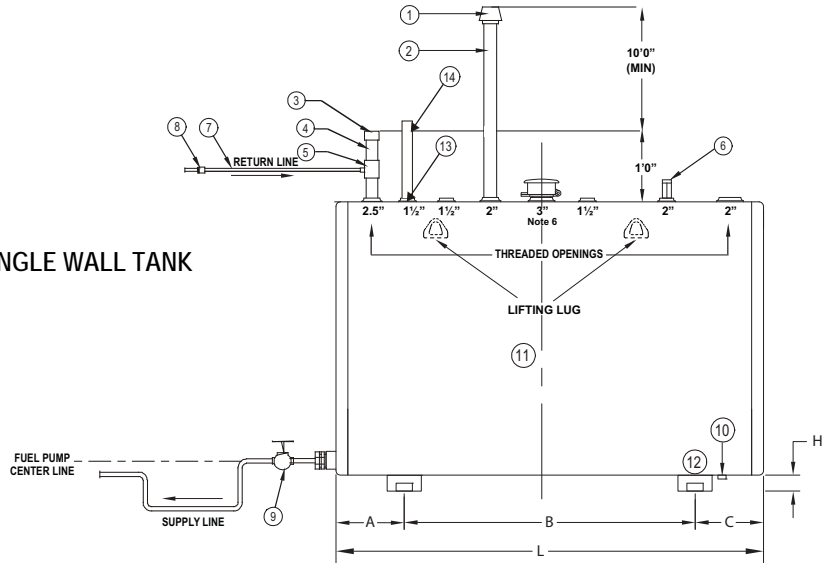
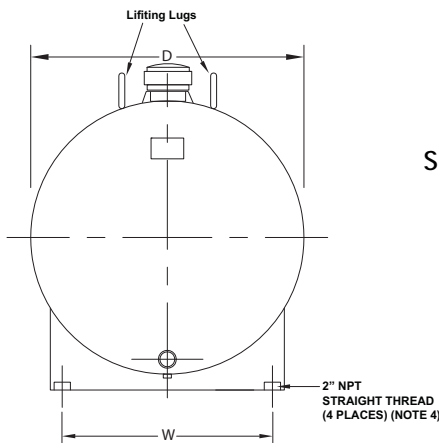


## Fuel System - Single Wall Tank

## SUBMITTAL DRAWING

JOB: _____ _____ _____ ENGINEER: _____ CONTRACTOR: _____	REPRESENTATIVE: _____ _____ _____ ORDER NO: _____ DATE: _____ SUBMITTED BY: _____ DATE: _____ APPROVED BY: _____ DATE: _____
--	---

NOTE: As per NFPA20 2010 Section 11.4  
 Labeled ULC-S601



Typical Tank Dimensions and Weights								
Volume USgal (L)	A	B	C	D	H	L	W	Weight
150 (565)	7.91(201)	33.00(838)	7.91(201)	30.11(765)	2.00(51)	48.82(1240)	22.00(562)	252 (114)
186 (705)	7.79(198)	45.00(1143)	7.83(199)	30.11(765)	2.00(51)	60.63(1540)	22.00(562)	285 (130)
232 (878)	9.17(233)	30.47(774)	9.17(233)	37.99(965)	2.00(51)	48.82(1240)	29.13(740)	329 (149)
286 (1085)	8.93(227)	42.71(1085)	8.97(228)	37.99(965)	2.00(51)	60.63(1540)	29.13(740)	372 (169)
340 (1283)	9.13(232)	54.72(1390)	9.13(232)	37.99(965)	2.00(51)	72.99(1854)	29.13(740)	419 (190)
550 (2083)	9.13(232)	54.72(1390)	9.13(232)	47.83(1215)	2.00(51)	72.99(1854)	36.14(918)	533 (242)

LIST OF MATERIALS	
Item	Description
1 (M)	FLAME ARRESTER
2	VENT PIPE - 2" (51 mm)
3 (M)	FILL CAP
4	FILL PIPE - 2.5" (64 mm)
5	REDUCER TEE - 2.5" x 2.5" x 1/2"
6 (M)	LEVEL GAUGE
7	FUEL LINE
8 (M)	CHECK VALVE
9 (M)	MANUAL VALVE (NOTE 1)
10 (M)	DRAIN PLUG - 1" NPT (NOTE 2)
11 (M)	FUEL TANK
12 (M)	TANK SUPPORT
13 (M)	TANK WHISTLE
14	1 1/4" VENT PIPE

All dimensions are in inches (mm) and weights in lbs. (kg).

(M) SUPPLIED BY PUMP MANUFACTURER

**NOTES:**

1. Manual valve must be locked open or central station supervised.
2. A 1" drain valve must be used instead of drain plug when not subject to freezing.
3. Tank size as per NFPA20 2010 Section 11.4.2.1.
4. 2" pipe leg supplied by others.
5. Diesel fuel supplied by others.
6. On the 340 USGAL and 550 USGAL tanks this becomes a 4" energy vent.

NOTE: DIMENSIONS ARE NOT USED FOR CONSTRUCTION PURPOSES UNLESS CERTIFIED. DATA SUBJECT TO CHANGE WITHOUT NOTICE.

**S. A. Armstrong Limited**  
 23 Bertrand Avenue  
 Toronto, Ontario  
 Canada, M1L 2P3  
 T: (416) 755-2291  
 F (Main): (416) 759-9101

**Armstrong Pumps Inc.**  
 93 East Avenue  
 North Tonawanda, New York  
 U.S.A. 14120-6594  
 T: (716) 693-8813  
 F: (716) 693-8970

**Armstrong Integrated Limited**  
 Wenlock Way  
 Manchester  
 United Kingdom, M12 5JL  
 T: +44 (0) 8444 145 145  
 F: +44 (0) 8444 145 146

