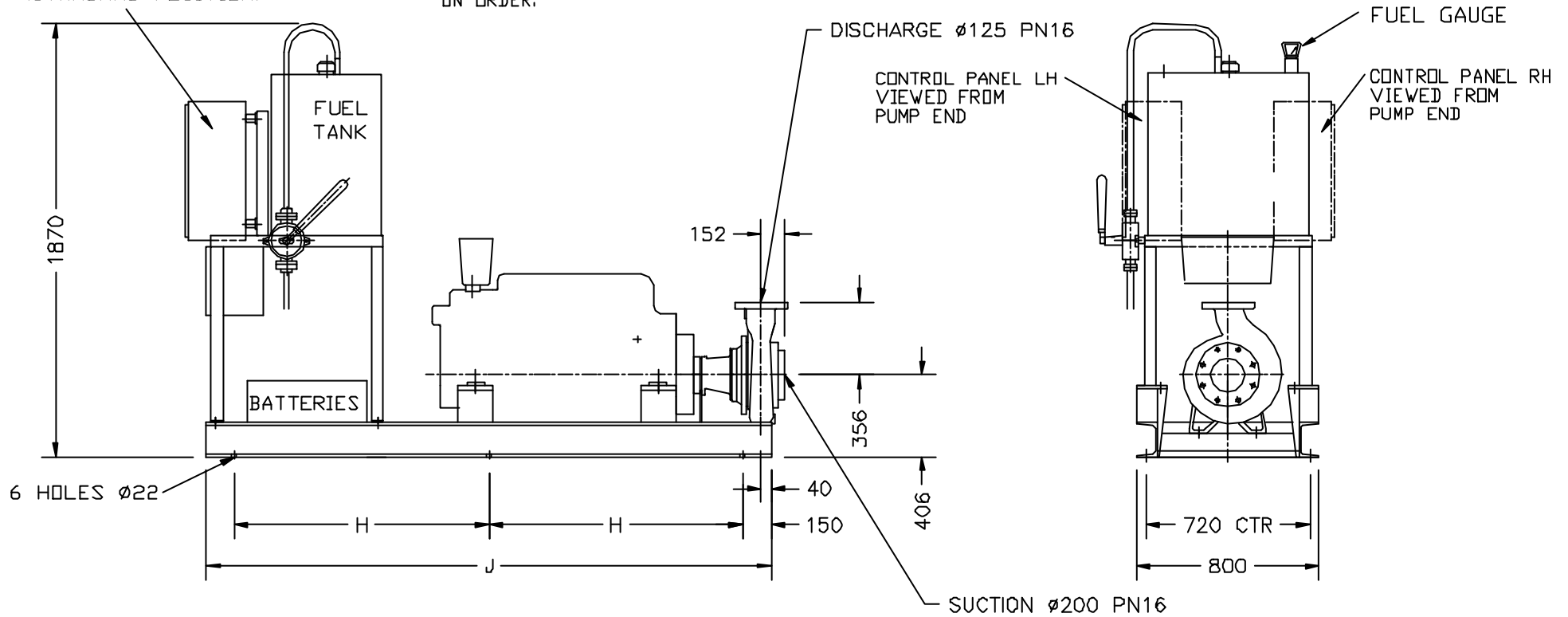


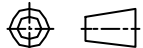
NOTE  
CONTROL PANEL CAN BE MOUNTED ON  
EITHER SIDE AS ALTERNATIVE TO  
STANDARD POSITION IF SPECIFIED  
ON ORDER.



MODEL No.	DRIVER	GRP.No.	H	J	WT(kg)
8x5x11.5DLCAC79	4BT3.9P	-301	1018	2336	1027
8x5x11.5DLCAC94	4BTA3.9P	-311	1018	2336	1036
8x5x11.5DLCAC119	6BT5.9P	-321	1153	2606	1090
8x5x11.5DLCAC138	6BTA5.9P	-331	1153	2606	1101

CUMMINGS

Third Angle Projection



All dimensions in millimetres  
unless otherwise stated

Tolerances  
(general)

Linear  $\pm 0.5$   
Angular  $\pm 0.5^\circ$

F			
E			
D			
C			
B			
A	2579	24AUG95	
REV	ECD No	DATE	SIGN

**ARMSTRONG PUMPS LTD**

COLCHESTER ESSEX UK

SCALE NTS	DATE 01AUG95
DETAIL NAME 02938-3	CHECKED

© ARMSTRONG PUMPS LIMITED  
This drawing is not to be used for general  
production unless with an original (red)

CONTROLLED  
COPY

except when production order  
specifies drawing no. & revision letter.

Material  
Structural sections to BS4 part 1  
Hollow sections to BS4B48 part 2

TITLE  
DIESEL FIRE PUMP  
8x5x11.5 EXTRA HIGH HAZARD

DRAWING NUMBER  
UKD02938 Sht 3 of 3

A3

DRAWN  
DCA