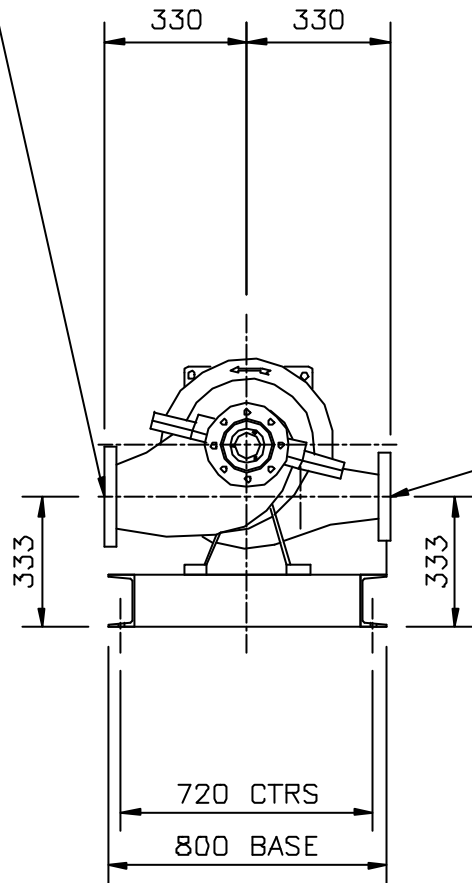
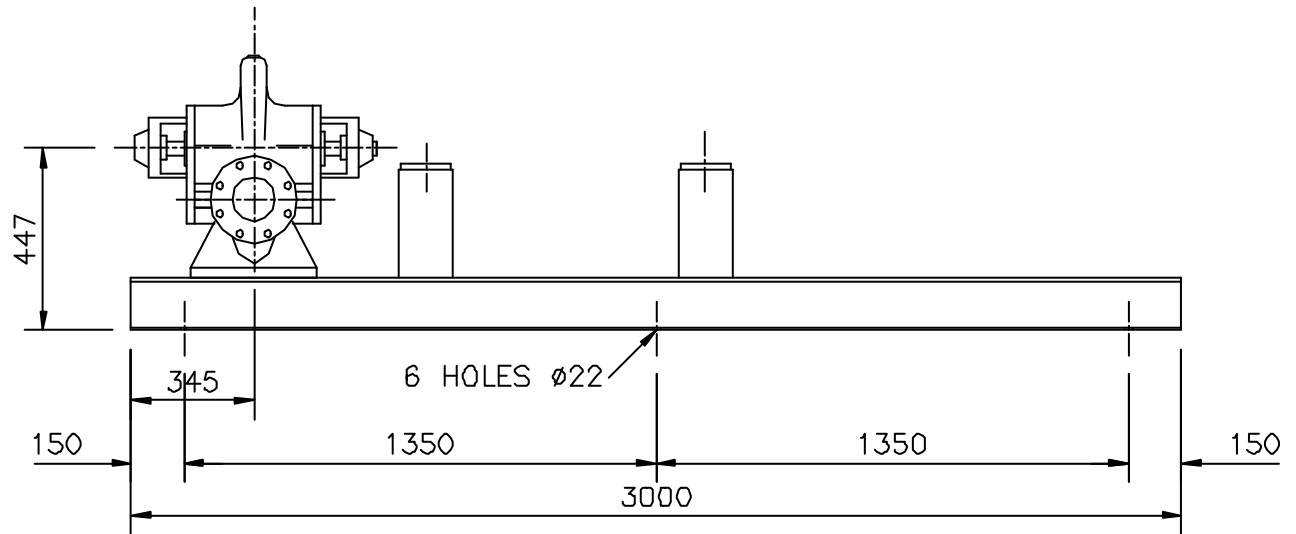


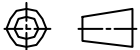
5" SUCTION  
ANSI#125



4" DISCHARGE  
ANSI#125



Third Angle Projection



All dimensions in millimetres  
unless otherwise stated

Tolerances  
(general)

Linear  $\pm 0.5$   
Angular  $\pm 0.5^\circ$

F			
E			
D	8245	08DEC99	NGS
C	8178	22FEB99	NGS
B	8141	25AUG98	NGS
A	8121	22MAY98	NGS
REV	ECD No	DATE	SIGN

**ARMSTRONG PUMPS LTD**

COLCHESTER ESSEX UK

SCALE NTS	DATE 22MAY98
DETAIL NAME 08212-1	CHECKED

© ARMSTRONG PUMPS LIMITED  
This drawing is not to be used for general  
production unless with an original (red)



except when production order  
specifies drawing no. & revision letter.

Material  
NA  
Structural sections to BS4 part 1  
Hollow sections to BS4B48 part 2

TITLE  
DIESEL FIRE PUMP 5x4x12  
UNLISTED LPC BUILDERS SHEET

DRAWING NUMBER  
UKD08212 SHT 1 OF 3

**A3**

DRAWN  
NGS