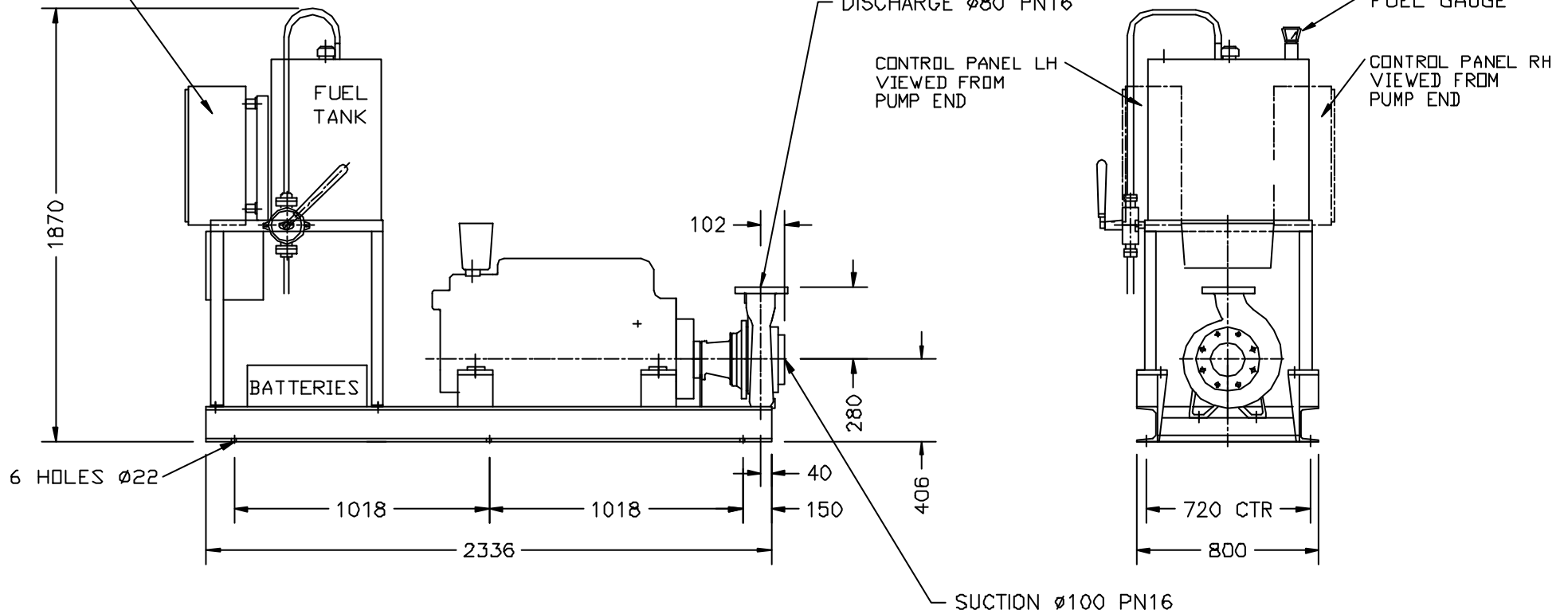


NOTE
CONTROL PANEL CAN BE MOUNTED ON
EITHER SIDE AS ALTERNATIVE TO
STANDARD POSITION IF SPECIFIED
ON ORDER.

CONTROL PANEL
(STANDARD POSITION)



MODEL No.	DRIVER	GRP.No.	WT(kg)
4x3x8.5DLCAC61	4B3.9P	-601	945

CUMMINGS

Third Angle Projection		All dimensions in millimetres unless otherwise stated		Tolerances (general)		Linear ± 0.5 Angular $\pm 0.5^\circ$		F		ARMSTRONG PUMPS LTD	
SCALE	DATE	© ARMSTRONG PUMPS LIMITED This drawing is not to be used for general production unless with an original (red)		Material		Structural sections to BS4 part 1 Hollow sections to BS4B48 part 2		E		COLCHESTER ESSEX UK	
NTS	13JUL95							TITLE			
DETAIL NAME	CHECKED	except when production order specifies drawing no. & revision letter.				A 2579 24AUG95		C		DIESEL FIRE PUMP	
0293B-1								4x3x8.5 EXTRA HIGH HAZARD			
A3	DRAWN	CONTROLLED COPY				REV ECD No DATE SIGN		B		DRAWING NUMBER	
	DCA							UKD02938 Sht 1 of 3			