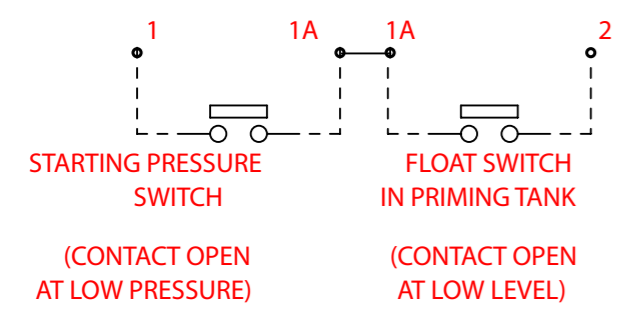
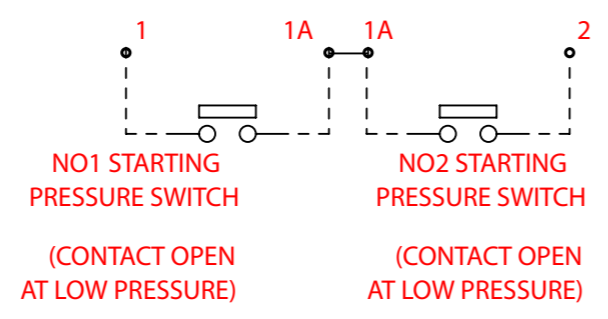


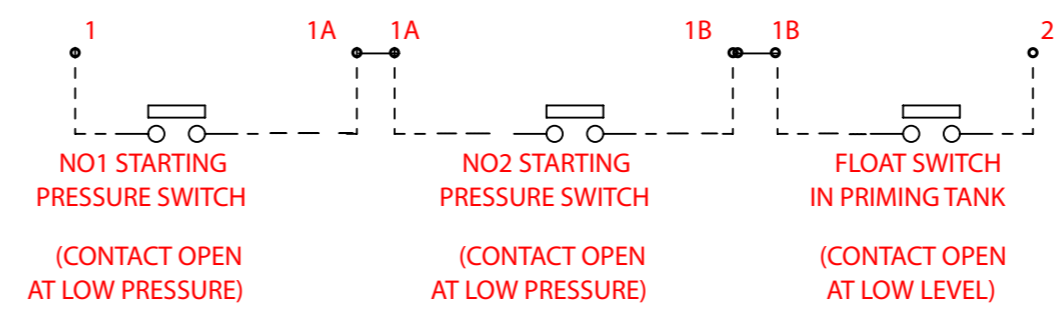
FOR APPLICATIONS ON SUCTION LIFT



FOR "EN" APPLICATION



FOR "EN" APPLICATION ON SUCTION LIFT



1st ISSUE	I.D.	JB	01/03/04
REVISION	DRAWN BY	CHECKED BY	DATE
NORTH WEST SWITCHGEAR Ltd			
MORECAMBE		LANCASHIRE	
DIAGRAM FOR L.P.C. DIRECT ON LINE CONTROLLER			
LPC/EN		A2-17012	