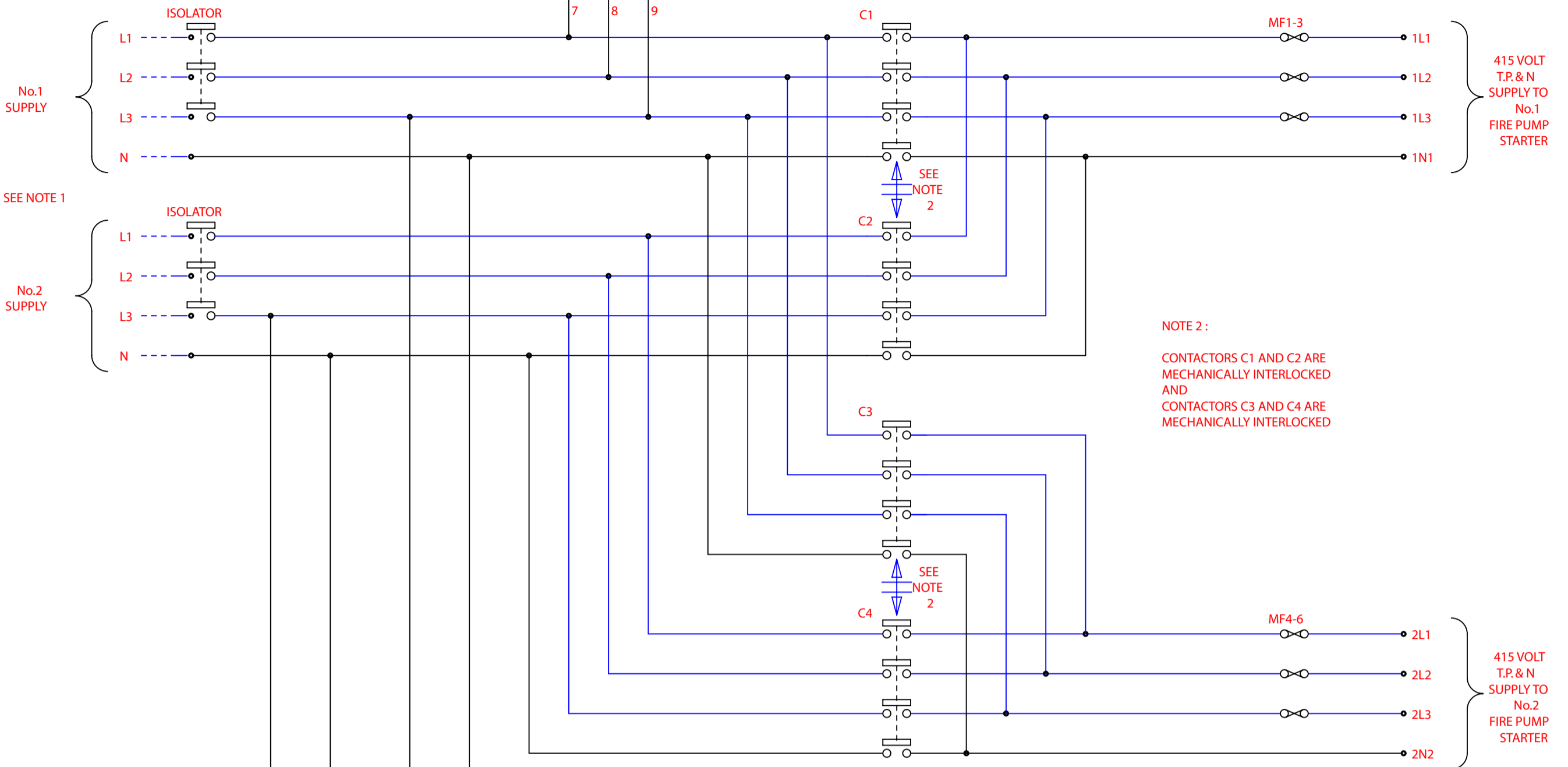
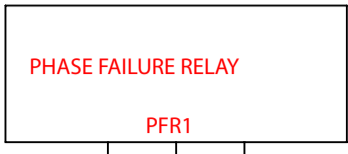


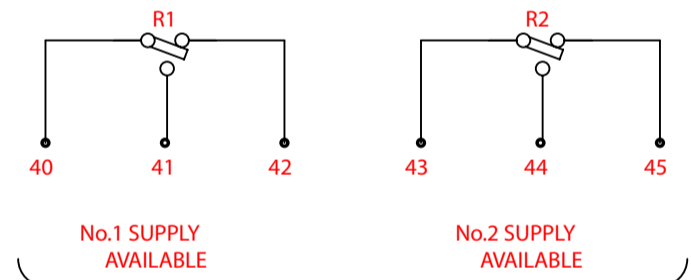
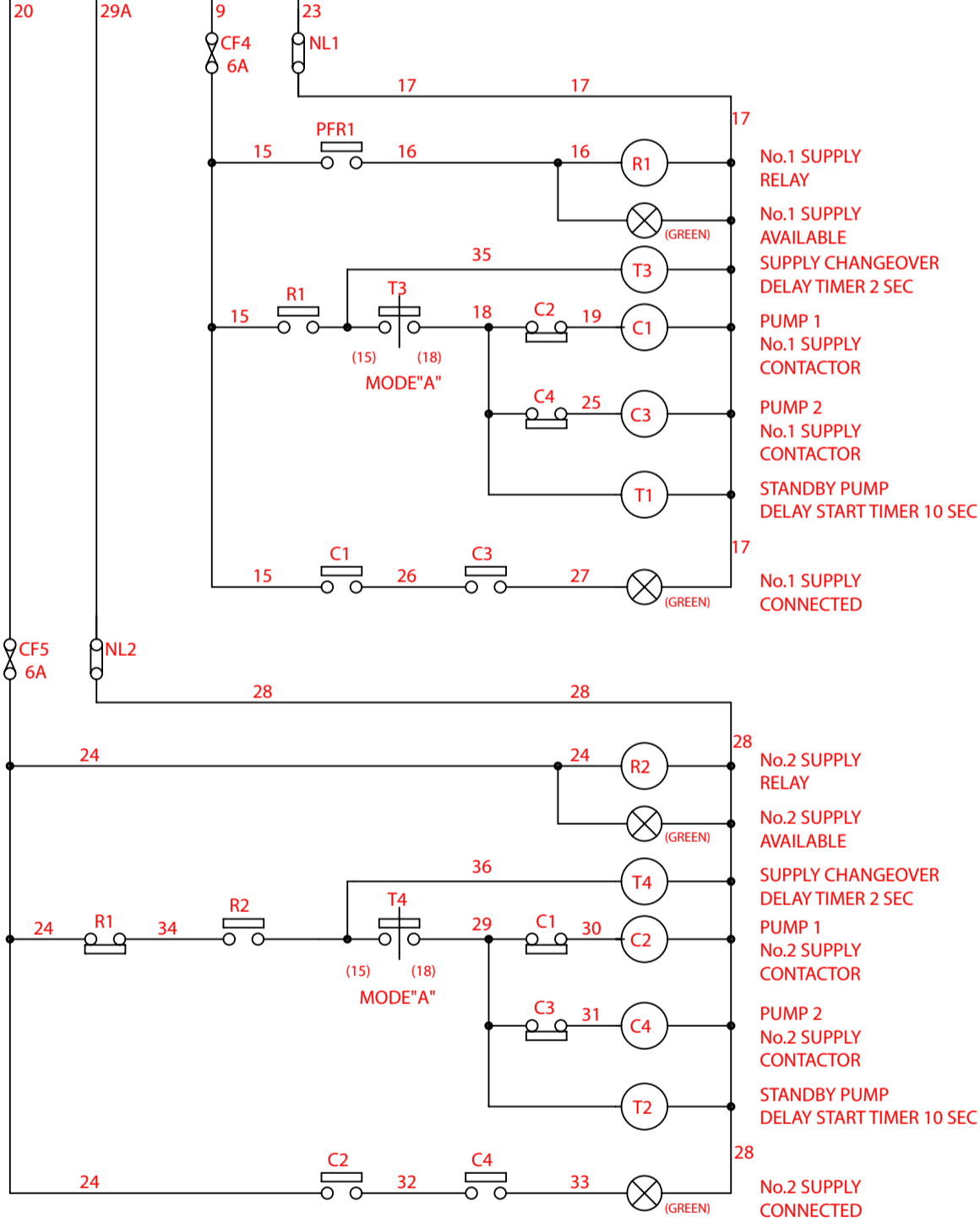
NOTE 1 :

IF EITHER INCOMING SUPPLY IS SIZED TO RUN ONLY ONE PUMP THEN FIRE PUMP CONTROLLERS MUST BE CROSS INTERLOCKED.

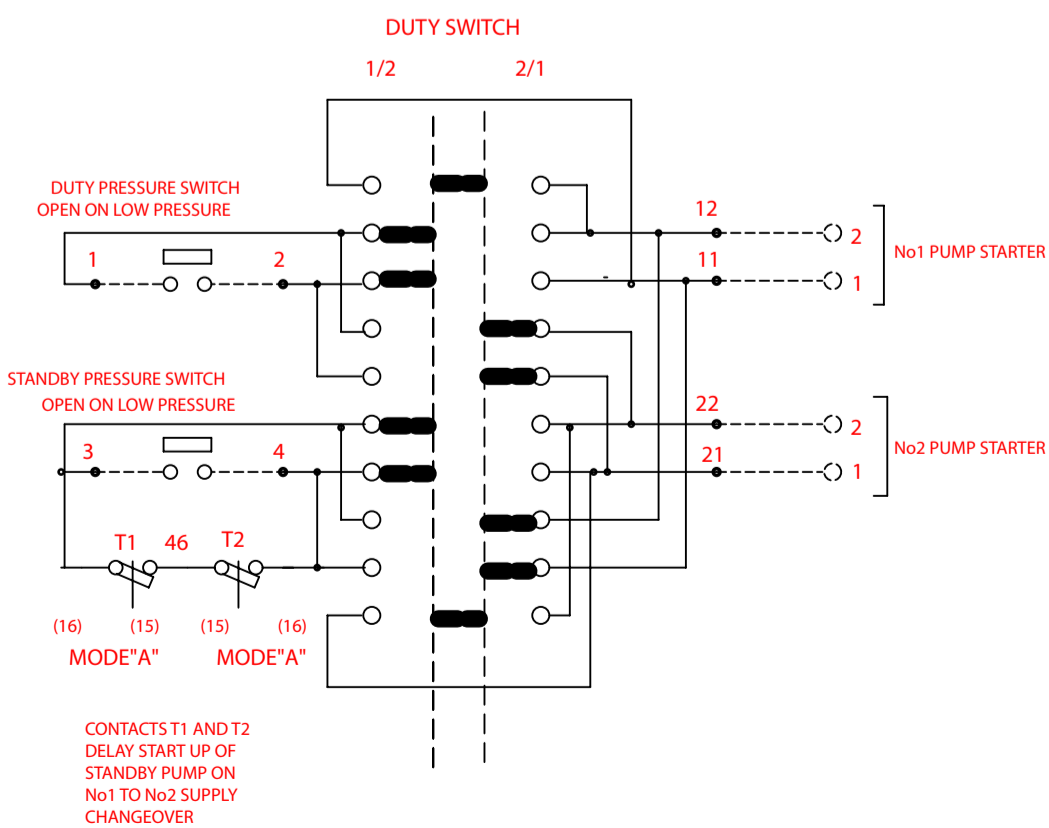
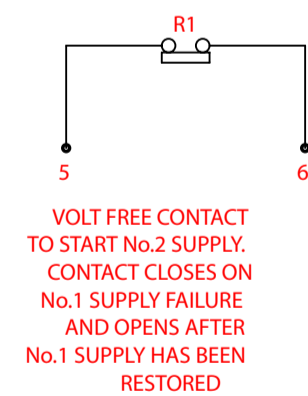


NOTE 2 :

CONTACTORS C1 AND C2 ARE MECHANICALLY INTERLOCKED AND CONTACTORS C3 AND C4 ARE MECHANICALLY INTERLOCKED



GENERATOR CONTROL IF REQUIRED



CONTACTS T1 AND T2 DELAY START UP OF STANDBY PUMP ON No.1 TO No.2 SUPPLY CHANGEOVER

6th ISSUE	A.U.	JB	21/06/06
5th ISSUE	J.WALSH	JB	7/1/02
4th ISSUE	Len Porter	JB	20/01/99
3rd ISSUE	JRA	JB	02/04/98
2nd ISSUE	JRA	JB	23/03/98
1st ISSUE	JRA	JB	04/03/98
REVISION	DRAWN BY	CHECKED BY	DATE

NORTH WEST SWITCHGEAR Ltd

MORECAMBE LANCASHIRE

DIAGRAM FOR No.1 SUPPLY/No.2 SUPPLY CHANGEOVER PANEL

A2-12032