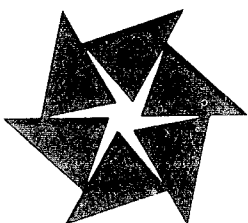
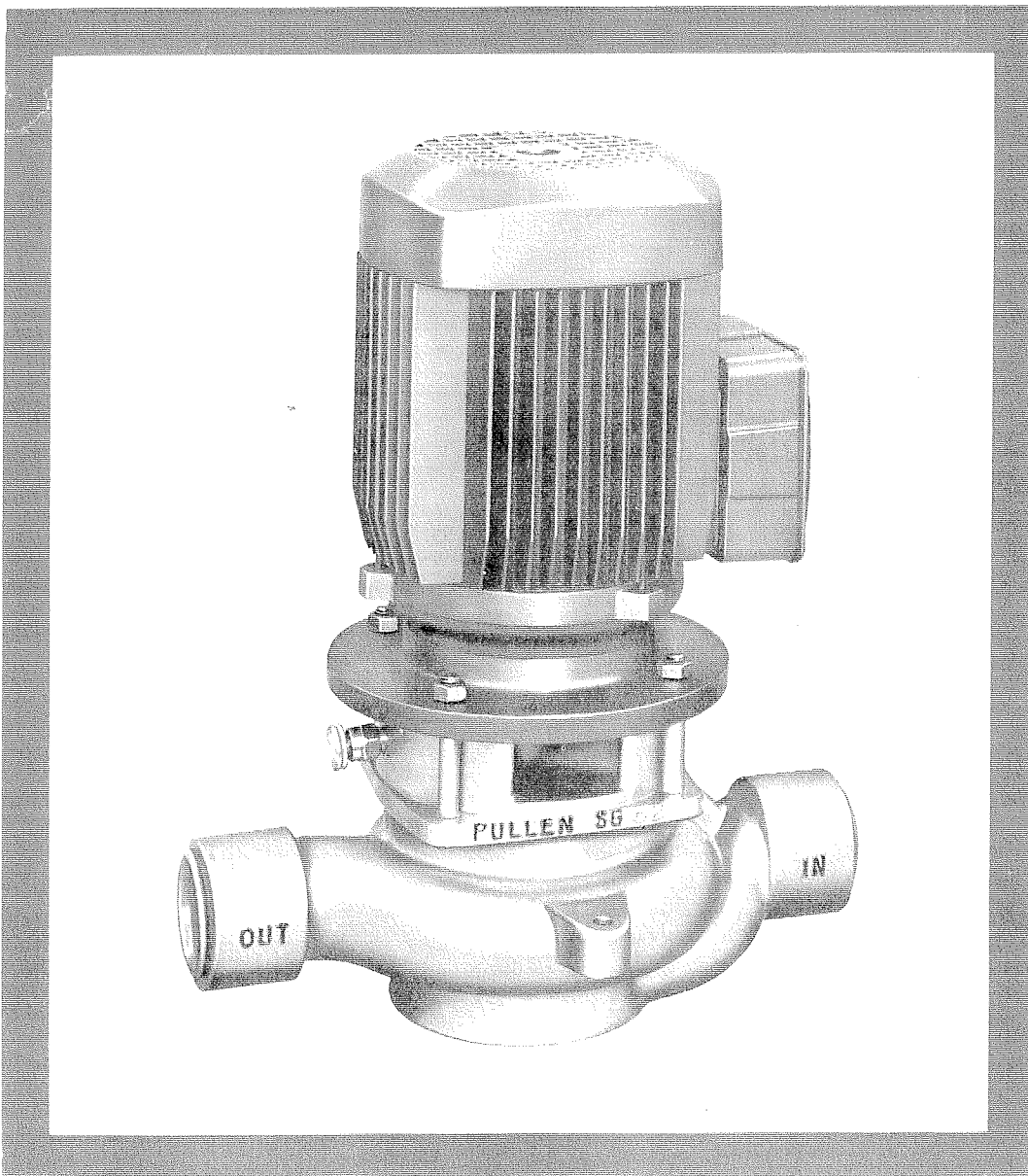


# Pullen

## SG Pipeline Pumps



**For HWS Secondary Circulation**

Not recommended for installation in domestic premises

# SG Pipeline Pumps

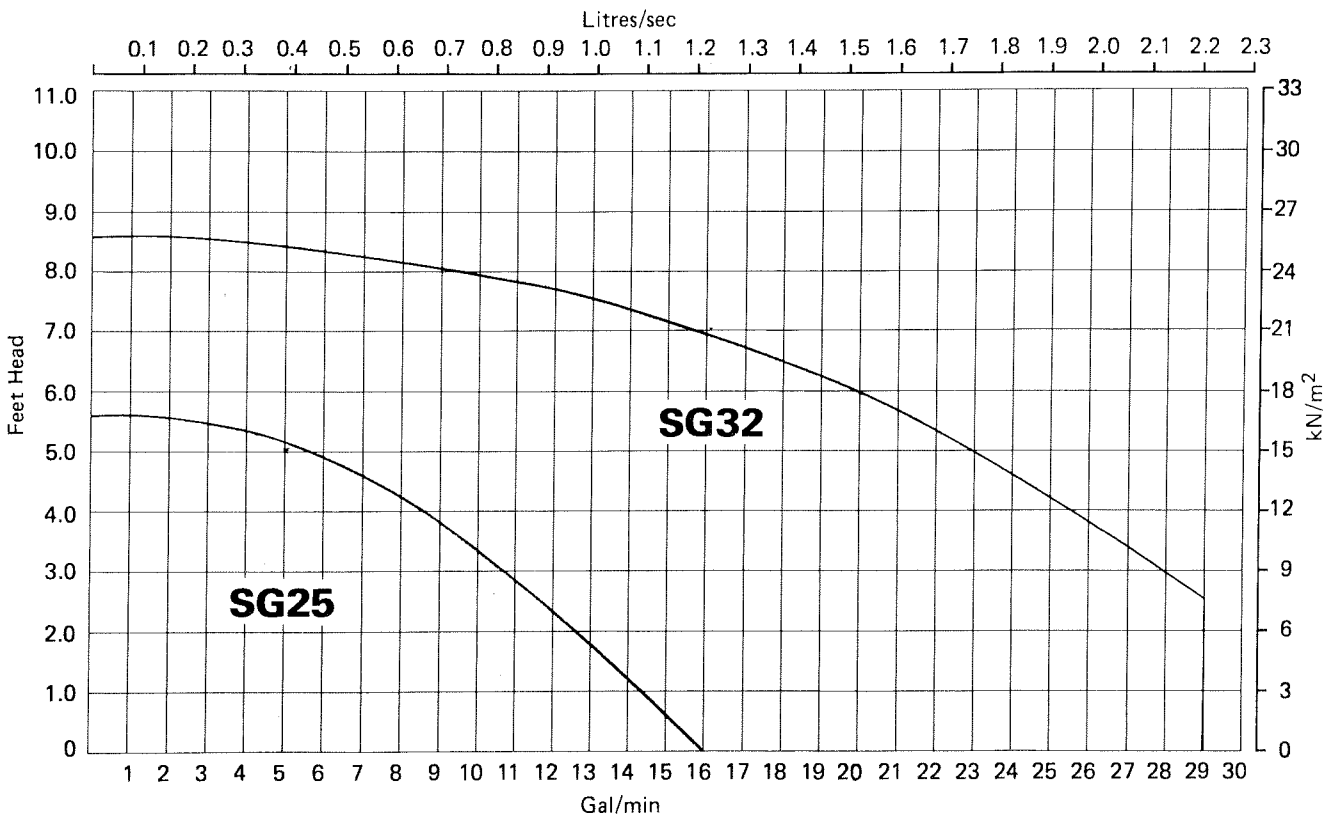
The Pullen type SG pumps have been designed to meet the requirements of HWS secondary systems. They are manufactured in all gunmetal construction and are provided with screwed connections for ease of pipeline installation.

The pump internals have been specifically designed so that any air entering the pump is automatically discharged through the pump outlet, even with the motor

shaft in the vertical position. The pump is therefore suitable for HWS secondary systems, which often contain a large amount of air.

The pumps are close coupled to metric frame size motors with sealed-for-life bearings and are fitted with a self-adjusting bellows-type mechanical seal containing a long-life ceramic seat, thus making the pumps maintenance free.

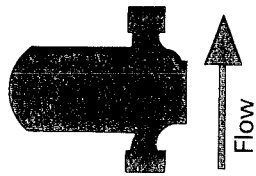
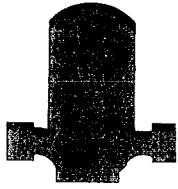
## Performance Curves 1450 rpm



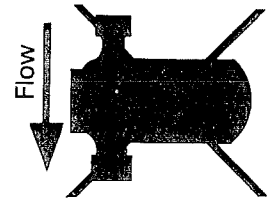
# Mounting Arrangements

Recommended

Not Recommended

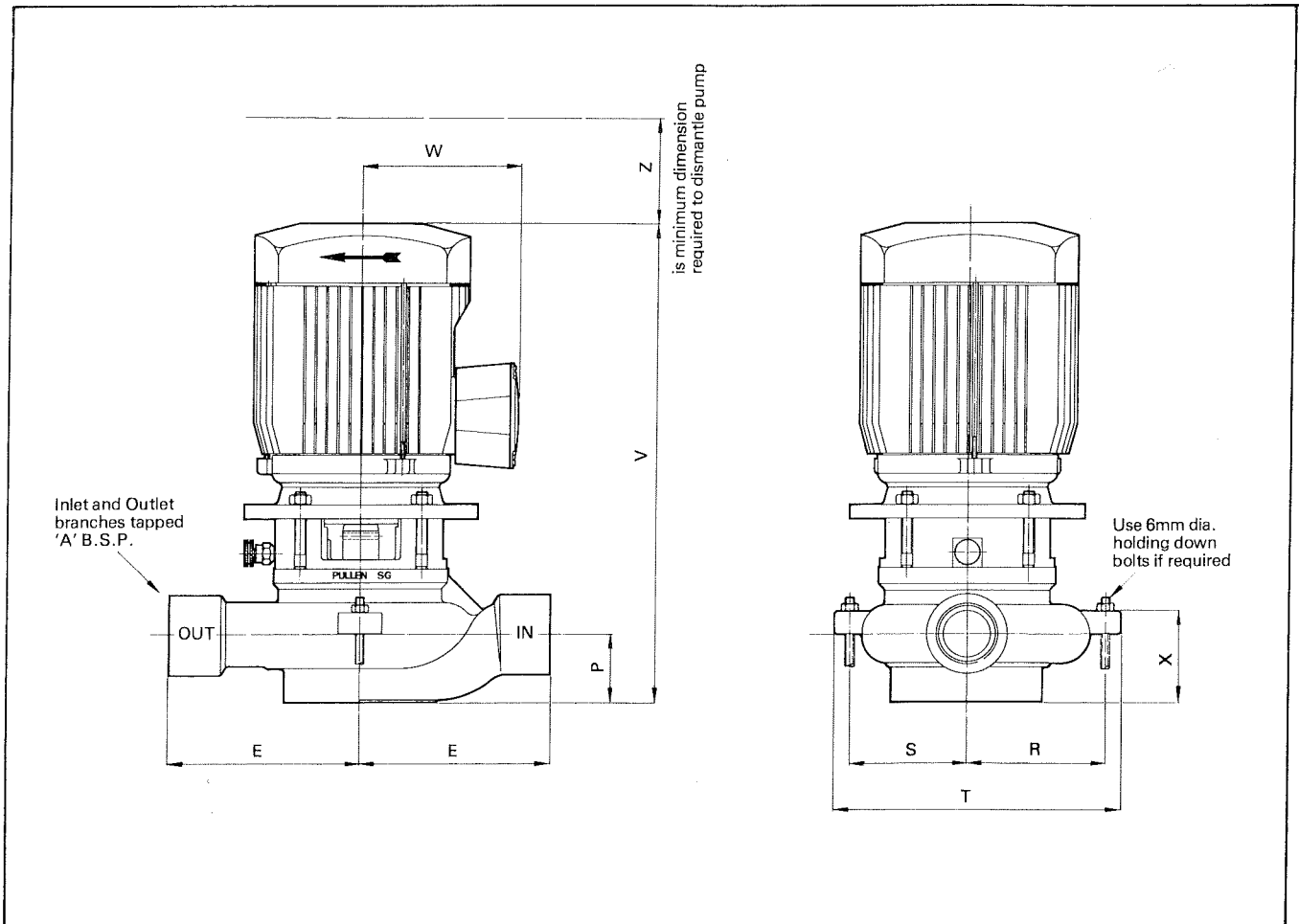


Pump mounted on its side.



Note: It is important to ensure that the discharge pipework from the pump rises to clear the air passed through the pump.

## Dimensions (millimetres unless otherwise stated)



Pump	A	E	P	R	S	T	V	W	X	Z	Weight kg
SG 25	1 in	105	37	75	65	156	274	109	53	65	9
SG 32	1 ¼ in	130	45.5	95	80	195	313	119	61.5	85	14

# Specifications

## Impeller, Casing, Backcover

Manufactured from high grade gunmetal to BS Specification 1400.

## Shaft

The shaft of the motor is extended into the pump and is shielded by the impeller hub from the liquid being pumped.

## Mechanical Seal

Bellows type with carbon rotating face running against a stationary ceramic seat.

## Temperature Limitations

Pumps are suitable for pumping water at temperatures up to 115°C (240°F).

## Pressure Limitations

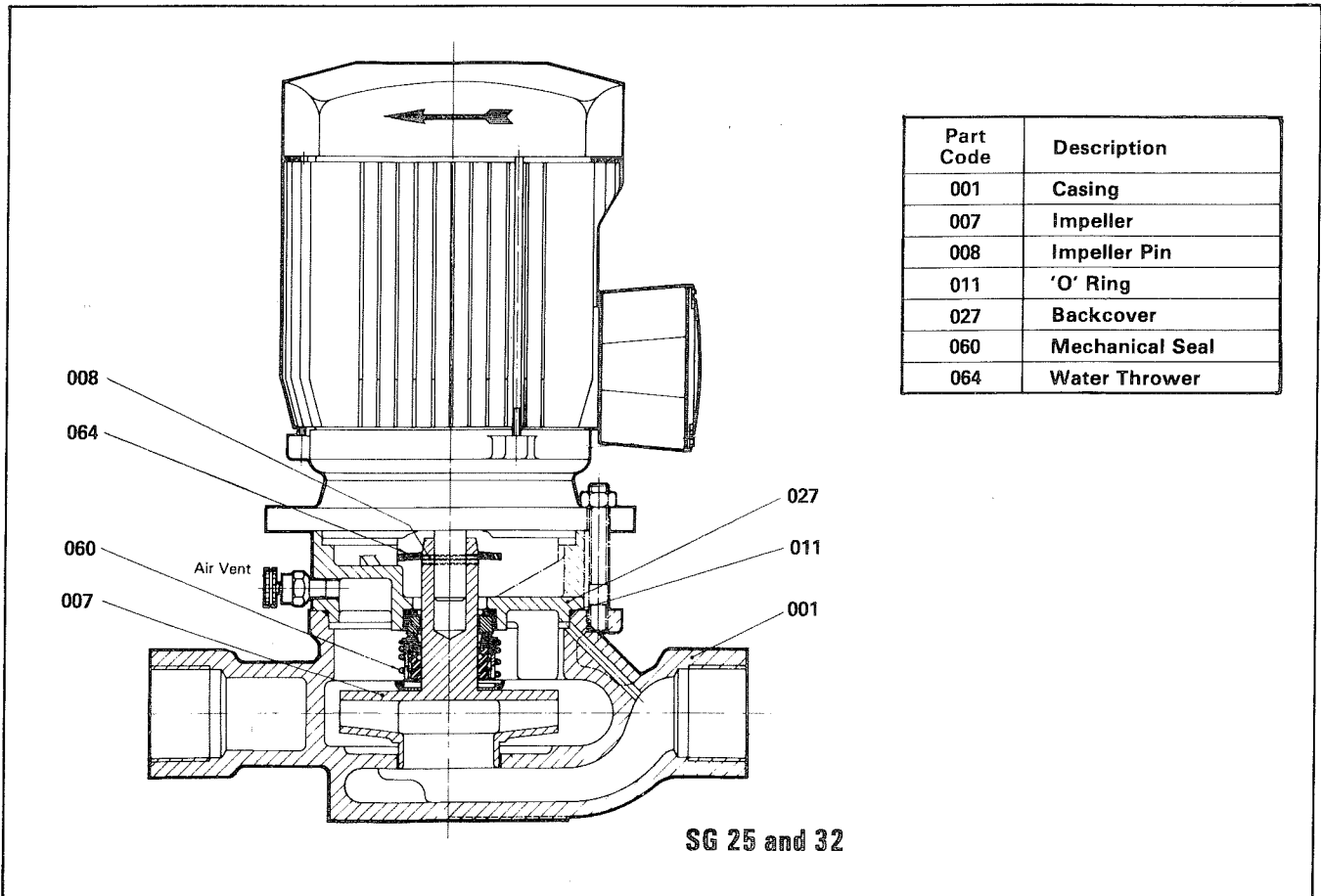
Pumps are suitable for working pressures up to 5.5 bars (80 lbf/in<sup>2</sup>).

# Important

## Pumps fitted to Single Phase Motors

Single phase motors inherently transmit higher noise levels than three phase motors.

Precautions should be made to minimise the transmission of vibration to pipework and building structures in cases where plant is positioned close to domestic premises, i.e. flats, hospitals and schools.



See Leaflet SK201M for higher flow inline pumps with flanges.

*As we are constantly endeavouring to improve standards, we reserve the right to alter details given without prior notice.*



## Pullen Pumps Ltd

58 Beddington Lane, Croydon, Surrey CR9 4PT, England

Telephone: 01-684 9521

Telex: 946597

Northern Regional Sales Office:  
11 Eagle Brow  
LYMM, Cheshire  
Tel: Lymm 52011/2/3  
Telex: 627956

NOV 84 SUPERSEDES JUNE 83