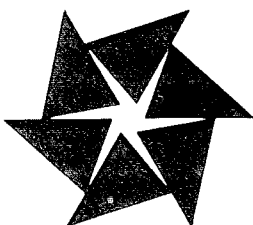
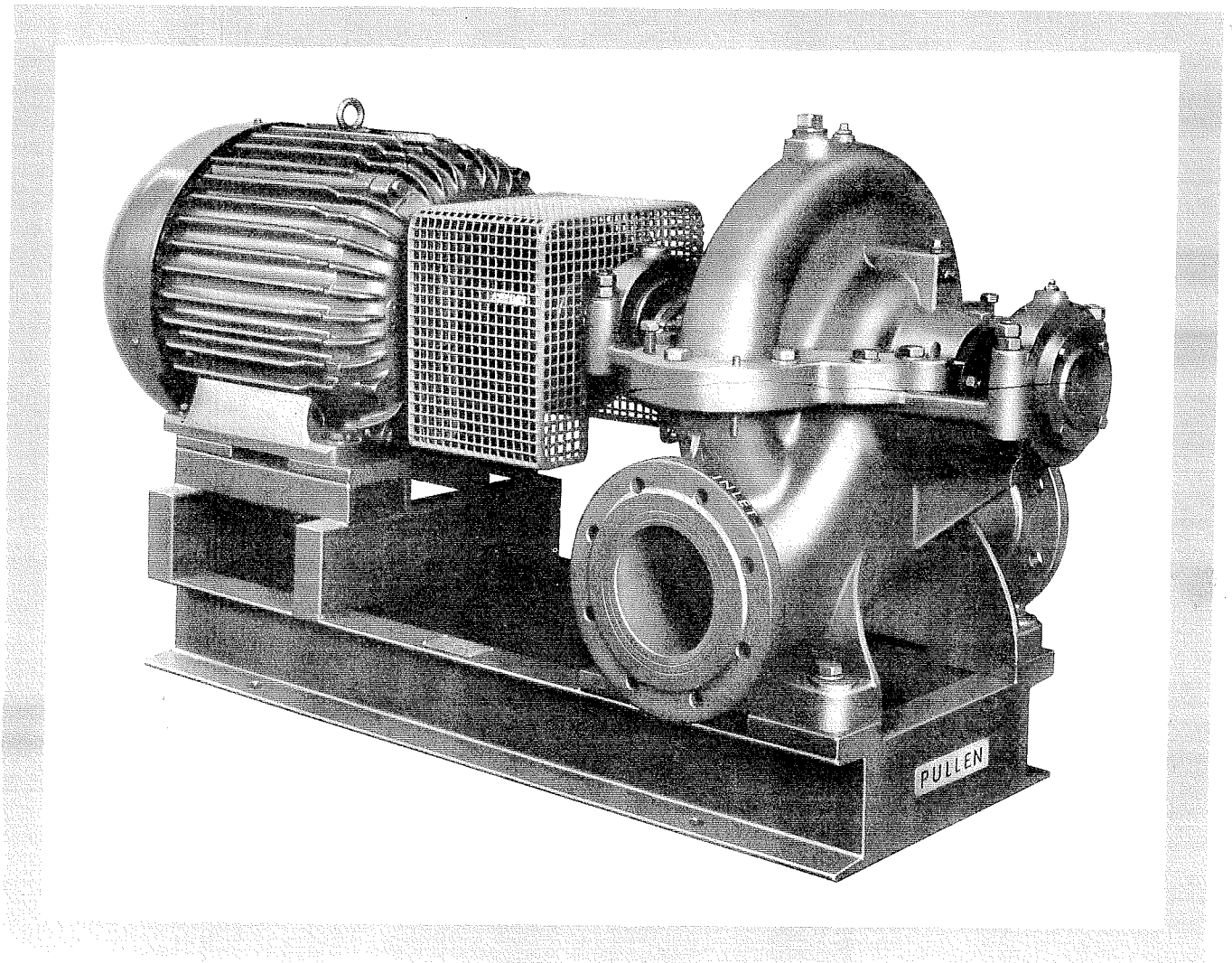


Type H S C Horizontal Split-Casing Pumps



**For General Purpose
Applications**

Introduction

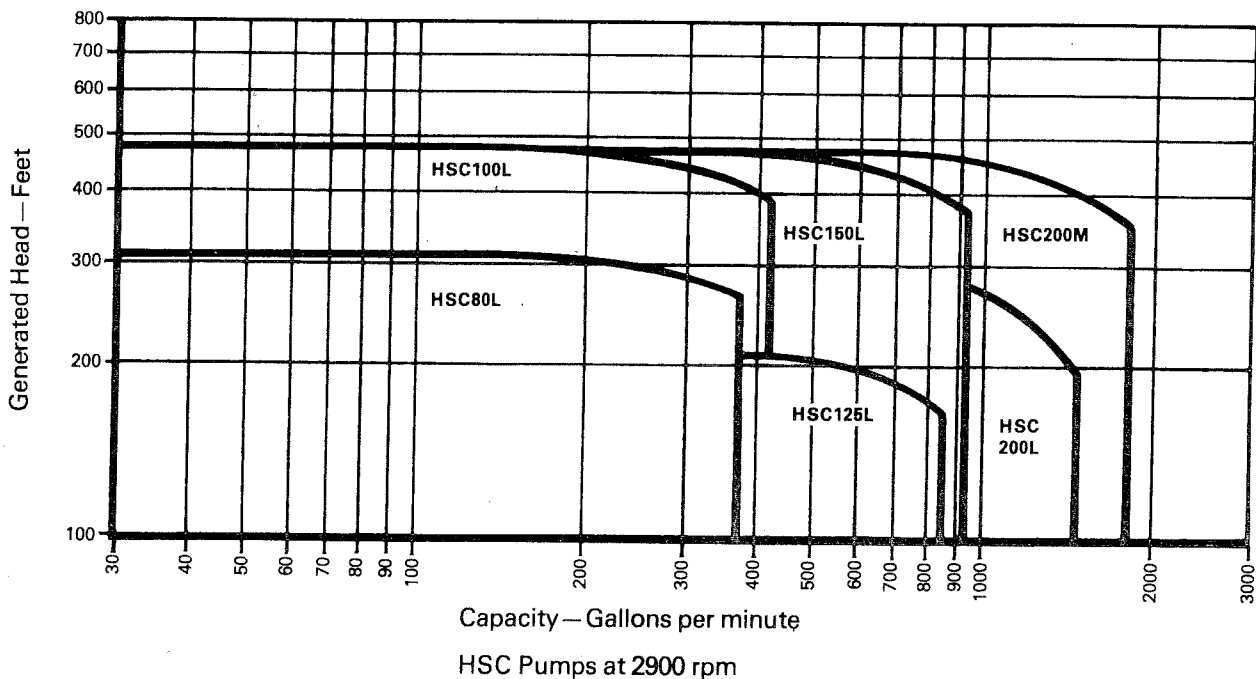
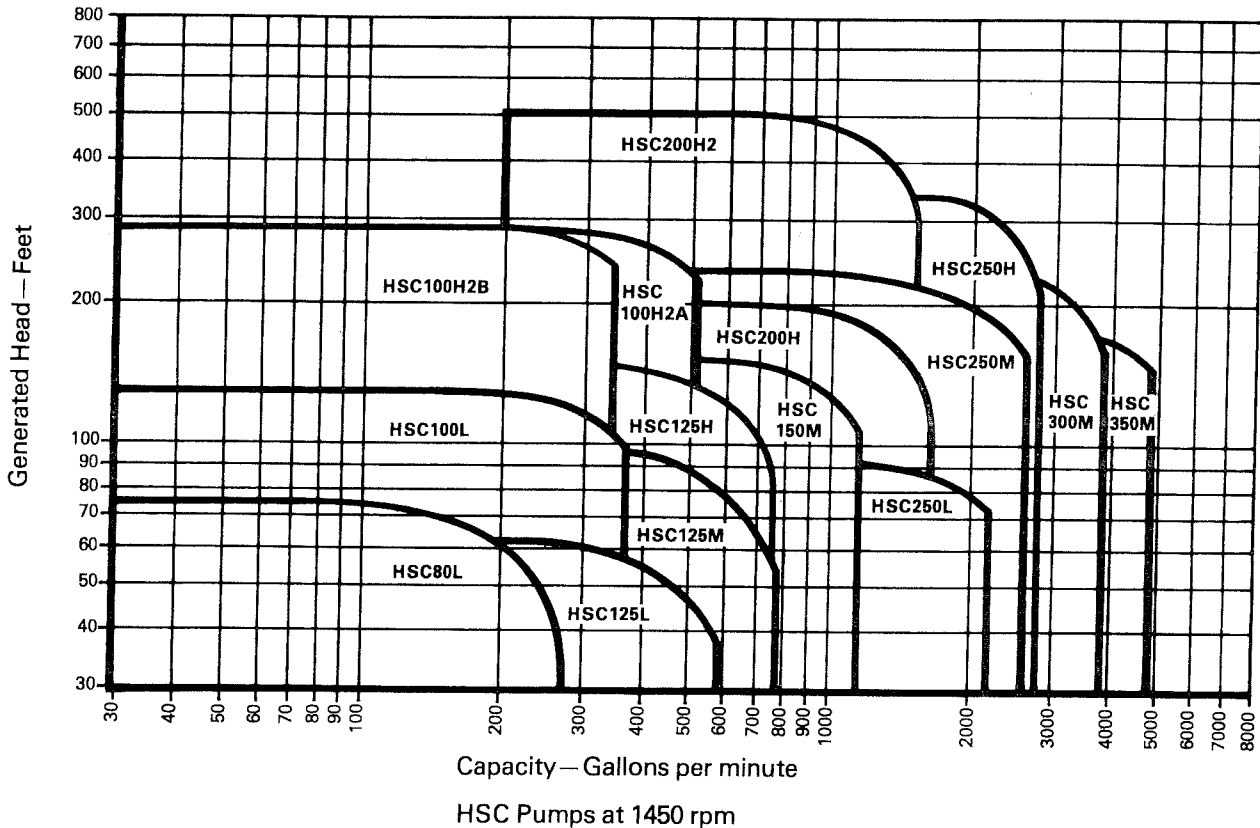
The Pullen range of HSC Horizontal Split-Casing, Direct-Driven Pumps are made to the highest standards of design and workmanship, all being hand fitted and fully tested to ensure years of trouble-free operation at the desired performance.

The pumps can be supplied with either packed glands or long-life self-adjusting mechanical seals and are suitable for a wide variety of applications including Heating,

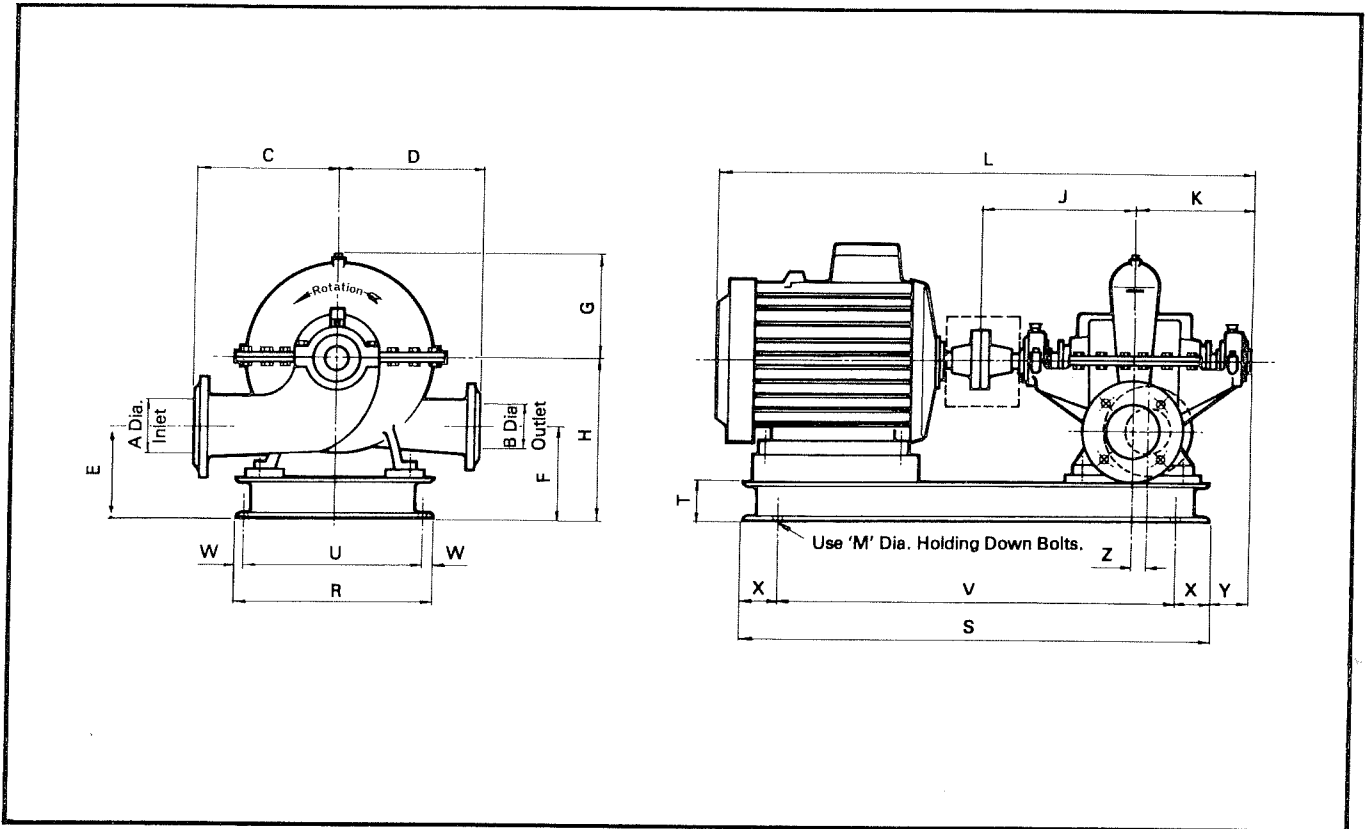
Hot Water Supply, Chilled Water, Cold Water Boosting and Firefighting.

They are available as complete units coupled to either an electric motor or diesel engine. Alternatively the pumps can be supplied bare shaft or complete with bed-plate coupling and guard, ready to accept the customer's own driver.

Performance Characteristics



Dimensions (millimetres)



● Flanges for these pumps are drilled to BS4504 NP10 as standard
 Flanges drilled to BS4504 NP16 are available on request

Type	Speed	A	B	C	D	E*	F*	G	H*	J	K	L*	M*	R*	S*	T*	U*	V*	W*	X*	Y*	Z	Flanges Drilled To BS 4504 NP	Max Working	
																								Press (Bars)	Temp (°C)
HSC80L	1450	80	65	250	220	210	200	200	355	320	240	1000	12	290	840	100	250	590	20	125	80	37	16	12	105
HSC80L	2900	80	65	250	220	230	220	200	375	320	240	1300	16	410	1080	120	365	780	22.5	150	80	37	16	12	105
HSC100L	1450	100	65	270	270	230	205	220	385	380	280	1305	16	330	1060	120	285	760	22.5	150	110	37	16	14	105
HSC100L	2900	100	65	270	270	275	250	220	430	380	280	1650	20	570	1310	160	520	960	25	175	110	37	16	14	105
HSC100H2	1450	100	100	290	280	260	260	550	480	470	500	1895	20	510	1510	160	460	1160	25	175	175	115	16	12	105
HSC125L	1450	125	100	290	250	255	255	235	385	330	260	1190	16	330	970	120	285	670	22.5	150	90	0	16	10	105
HSC125L	2900	125	100	290	250	300	300	235	430	330	260	1515	20	510	1215	160	460	865	25	175	90	0	16	10	105
HSC125M	1450	125	125	275	275	255	255	240	445	380	300	1360	16	370	1080	120	325	780	22.5	150	155	0	16	8	105
HSC125H	1450	125	125	280	280	260	260	250	460	395	300	1510	16	460	1200	120	415	900	22.5	150	130	0	16	10	105
HSC150L	2900	150	100	325	290	283	273	250	480	435	350	1935	20	640	1510	160	590	1160	25	175	155	0	16	16	105
HSC150M	1450	150	150	400	350	310	310	300	560	470	370	1765	20	510	1405	160	460	1055	25	175	150	0	16	9	105
HSC200L	2900	200	150	340	320	310	310	230	510	440	360	1900	20	640	1460	160	590	1110	25	175	165	0	●	12	105
HSC200M	1450	200	150	380	320	315	315	250	535	465	385	1590	20	460	1280	160	410	930	25	175	165	0	16	15	105
HSC200M	2900	200	150	380	320	355	355	250	575	465	385	2195	24	730	1740	200	670	1340	30	200	165	0	16	15	105
HSC200H	1450	200	200	375	375	320	320	305	580	470	365	1875	20	570	1500	160	520	1150	25	175	145	0	●	10	105
HSC200H2	1450	200	200	450	450	345	345	710	670	900	450	2695	24	730	2270	200	670	1870	30	200	140	280	25	18	105
HSC250L	1450	250	200	445	325	335	335	300	580	540	430	1895	20	510	1470	160	460	1120	25	175	210	0	●	8	105
HSC250M	1450	250	150	490	370	360	360	320	620	590	460	2250	24	640	1830	200	580	1430	30	200	180	0	●	14	105
HSC250H	1450	250	200	480	430	380	380	430	720	590	465	2400	24	730	1940	200	670	1540	30	200	170	0	●	14	105
HSC300M	1450	300	200	520	430	380	380	340	670	630	470	2445	24	730	1980	200	670	1580	30	200	175	0	●	14	105
HSC350M	1450	350	300	600	550	470	470	460	870	635	498	2480	24	800	2010	200	740	1610	30	200	180	0	●	8	105

* These dimensions are approximate and will vary for different motors

Casing Top and Bottom Halves

Close-grained cast iron to BS Specification 1452.

Bearing Housing, Caps and End Covers

Close-grained cast iron to BS Specification 1452.

Impeller

Close-grained cast iron to BS Specification 1452, alternatively high grade gunmetal to BS Specification 1400.

Shaft

High quality stainless steel to BS Specification 970.

Casing Sealing Rings

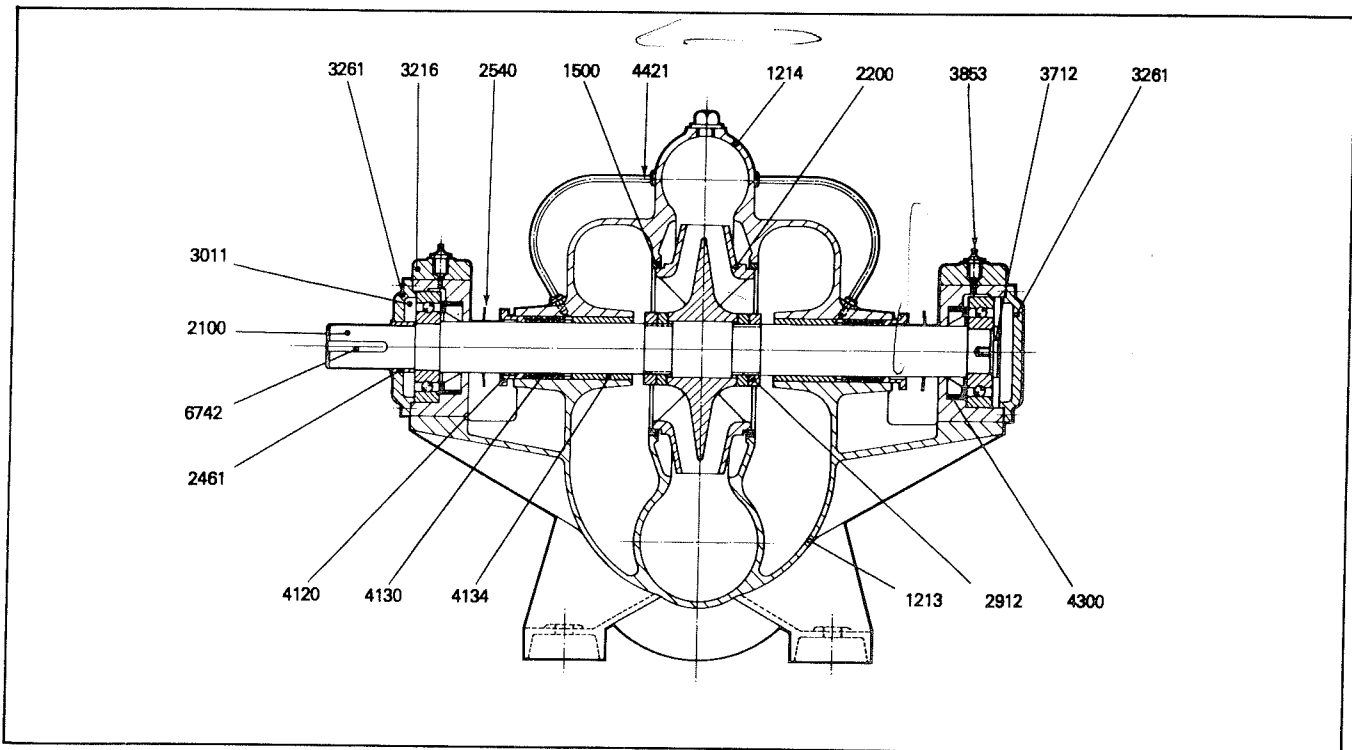
Renewable in phosphor-bronze to BS Specification 1400.

Bearings

Heavy-duty deep-groove ball bearings.

Gland Seal

Deep stuffing box with renewable gland packing, alternatively self-adjusting mechanical seal with long-life ceramic seat.



Euro Ref. No.	Description	Euro Ref. No.	Description
1213	Casing Lower Half	3216	Bearing Cap Top Half
1214	Casing Top Half	3261	Bearing End Cover
1500	Casing Wear Ring	3712	Bearing Lockwasher
2100	Shaft	3853	Grease Nipple
2200	Impeller	4120	Gland
2461	Bearing Locating Sleeve	4130	Gland Packing
2540	Water Thrower	4134	Throttle Bush
2912	Impeller Nut	4421	Recirculation Pipes
3011	Deep Groove Ball Bearing	6742	Coupling Key
3130	Bearing Housing		

As we are constantly endeavouring to improve standards, we reserve the right to alter details given without prior notice.

PUMPS LTD

11, EAGLE BROW 58 Beddington Lane, Croydon, Surrey CR9 4PT England

LYMM, CHESHIRE Telephone: 01-684 9521 Telegrams: PULPUMP CROYDON Telex: 946597

TEL: LYMM 520

TELEX 627956

PULLEX LTD

Export Division of Pullen Pumps Ltd. Address as above.