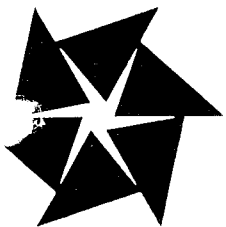
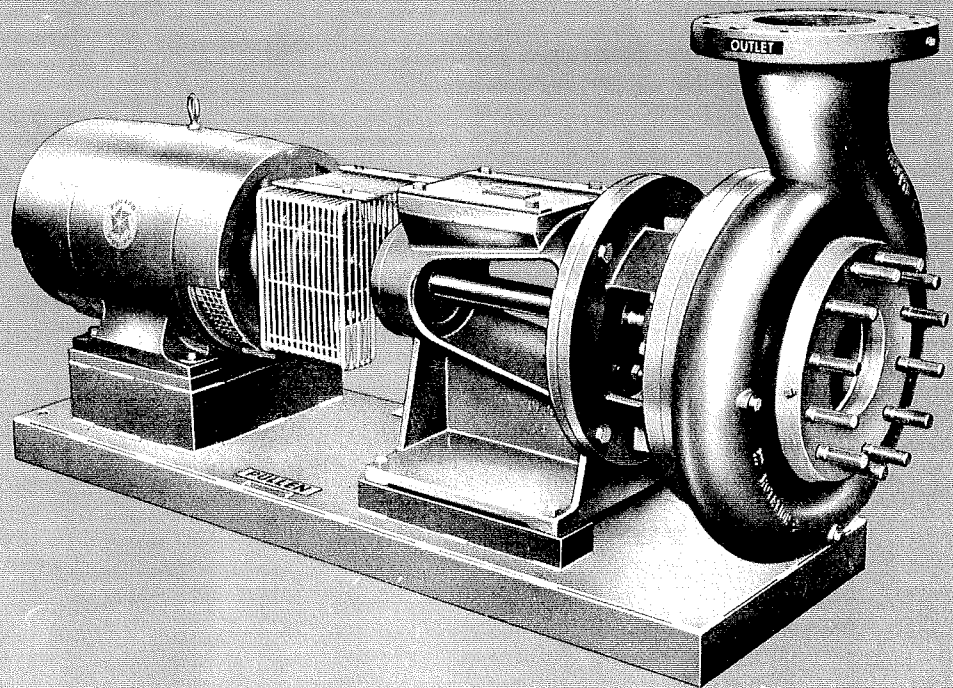


PULLEN[®] **MICENTRIPUL 'B' RANGE DIRECT DRIVE PUMPS**

**for hot and cold water on medium and
high pressures**



Centripul 'B' Range Centrifugal Pumps

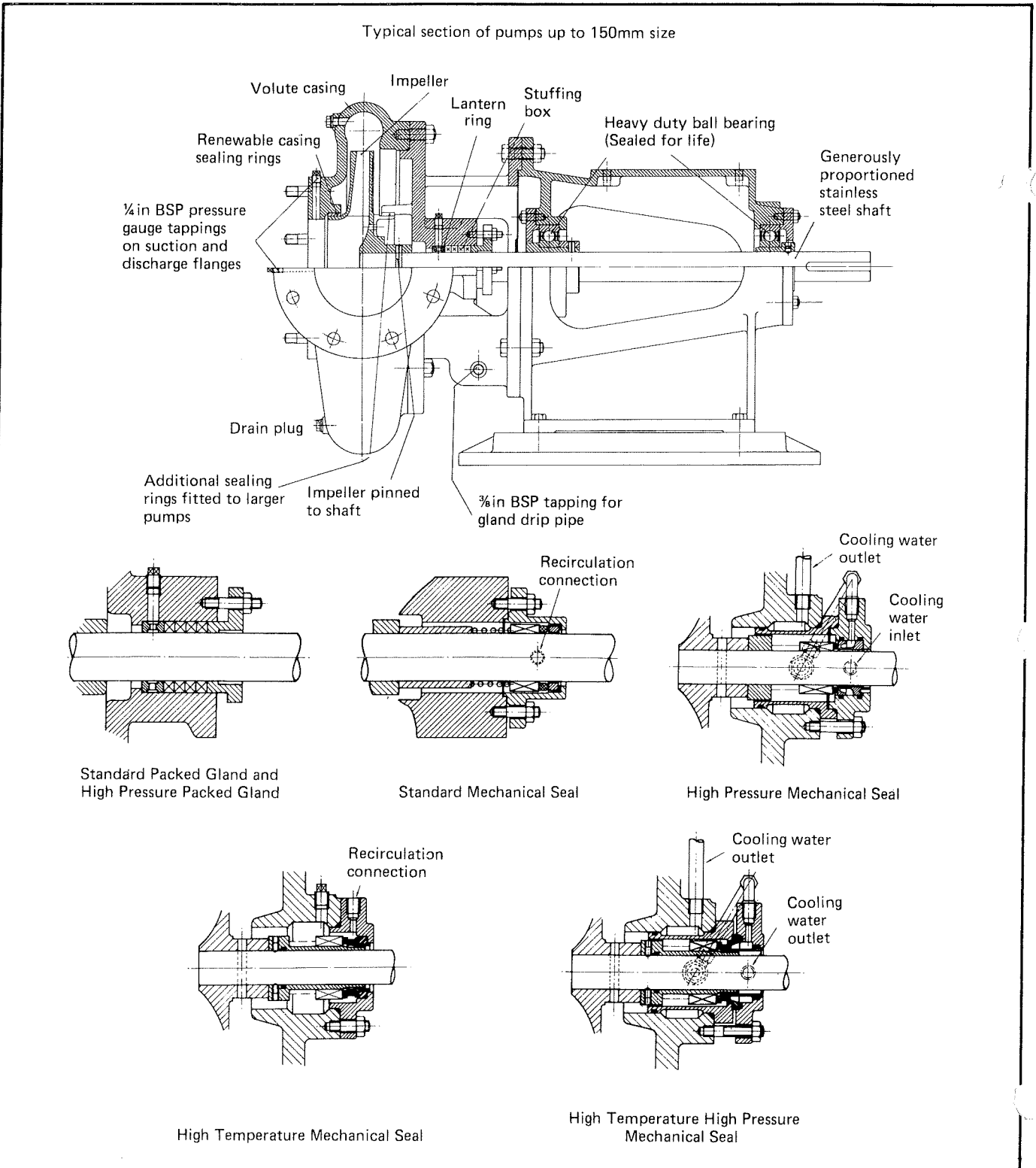
The Pullen 'B' Range of Centrifugal Pumps are made to the highest possible standards of design, materials and workmanship, all being hand fitted to ensure perfect running. Their aim is to give years of service with the minimum of maintenance at the desired performance.

These pumps are equally well suited for pumping hot or cold water, at medium and high pressures.

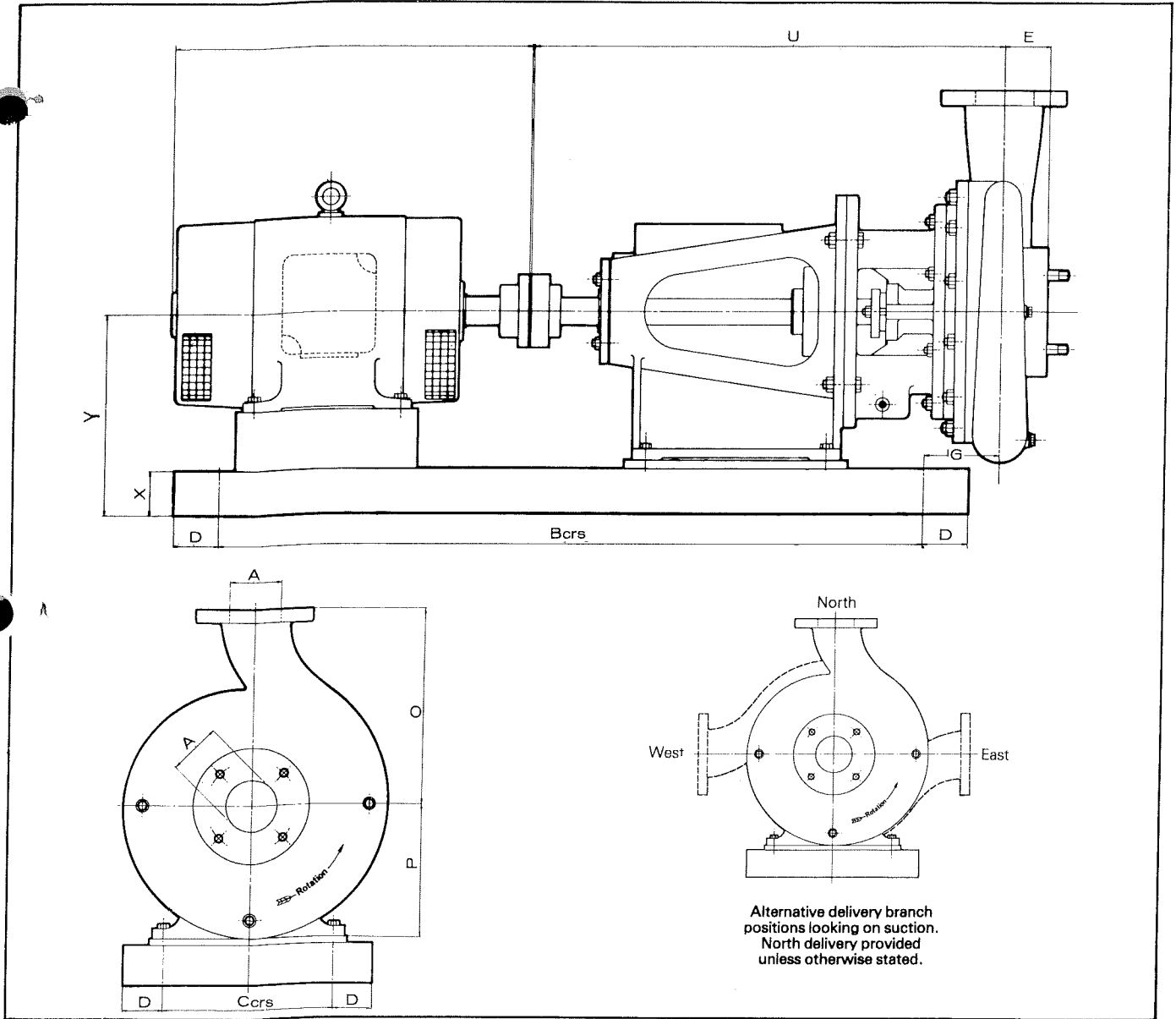
Standard packed glands can be supplied for temperatures up to 240°F (115°C).

Mechanical Seals can be supplied on all pumps for handling water at pressures up to 300 lb/in² and temperatures up to 340°F (170°C).

(See Mechanical Seal Arrangements.)



Dimensions



Alternative delivery branch positions looking on suction. North delivery provided unless otherwise stated.

Dimensions in millimetres

PUMP	A	B*	C*	D*	E	G*	M*	O	P	U	X*	Y*
BL 40	40	740	280	25	60	51	10	160	160	424	60	230
BL 50	50	740	280	25	60	52	10	190	160	422	60	230
BL 65	65	740	280	25	65	51	10	220	160	421	60	230
BL 80	80	940	305	25	80	34	12	250	205	588	70	285
BL 100	100	1065	330	25	80	39	12	270	205	593	83	298
BL 125	125	1065	330	25	95	62	12	310	205	598	83	303
BL 150	150	1420	380	40	100	49	16	360	255	785	81	356
BH 100	100	1420	380	40	80	33	16	380	255	806	81	356
BM 40	40	940	305	25	55	44	12	230	205	611	70	285
BM 50	50	940	305	25	55	31	12	215	205	616	70	285
BM 80	80	1065	330	25	70	54	12	275	205	621	83	298
BM 100	100	1065	330	25	80	64	12	300	205	600	83	328
BM 125	125	1320	380	40	80	48	16	360	255	785	81	356
BM 150	150	1420	380	40	85	40	16	420	255	785	81	386
§ BM 200	200	1620	555	40	140	40	16	457	330	983	107	477
§ BM 250	250	1620	555	40	220	40	16	580	330	995	107	517

Notes:

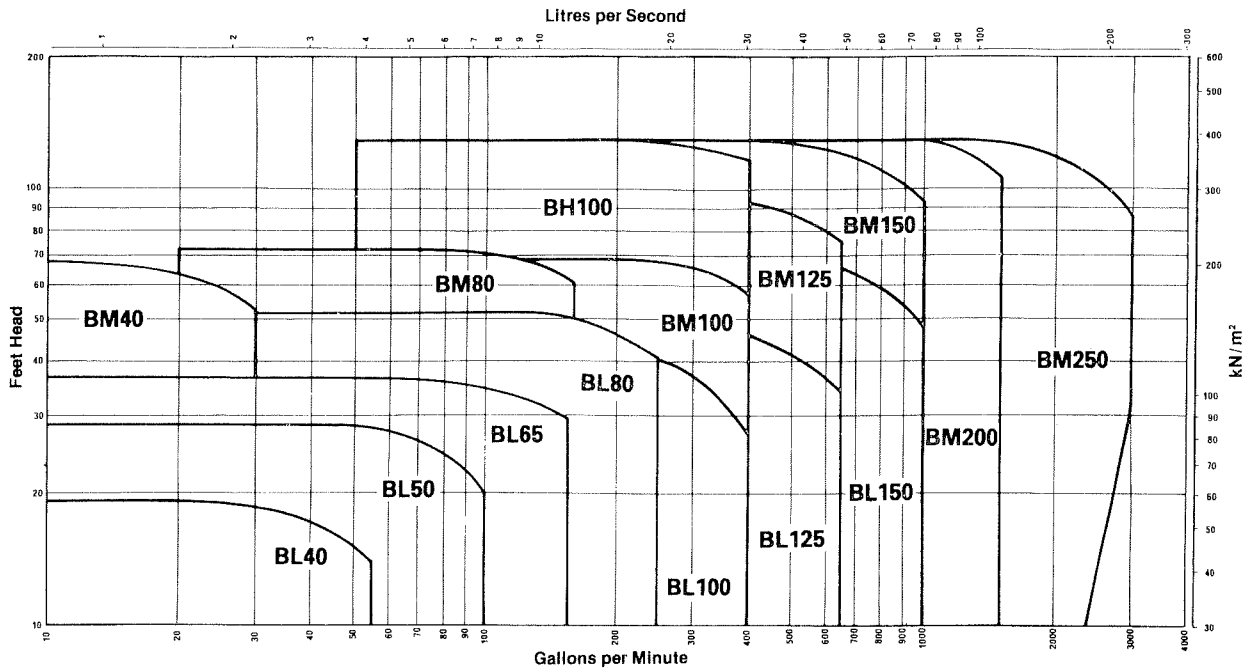
- Inlet and outlet flanges B.S.T.'D' unless otherwise ordered. B.S.4504/N.P.16 flanges can be supplied if required.
- Suffix 'P' after Pump Type will have B.S.T.'H' flanges as standard.
- Suffix 'T' after Pump Type will require at least 1/2 GPM cooling water supply at a maximum temperature of 140°F.
- 3/8in B.S.P. tapping provided for drip pipe from gland well of pump.
- Use 'M' dia. holding down bolts.
- Counter flanges are supplied as standard on sizes up to 150mm. Screwed flanges on pump sizes up to and including 80mm. Welding flanges on pump sizes up to 150mm.

§ Packed gland not available on BM200 and BM250.

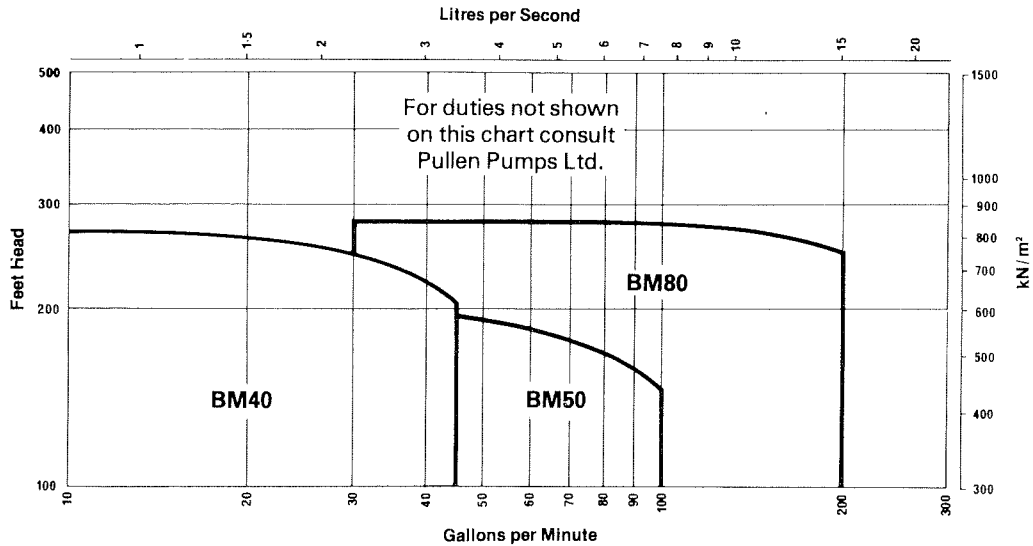
*These dimensions are approximate and may vary for different motors.

Packed glands must not be used in systems with varying pressures.

Performance Curves



STANDARD CENTRIFUGAL PUMP CURVES AT 1450 R.P.M.



STANDARD CENTRIFUGAL PUMP CURVES AT 2900 R.P.M.

Material Specifications

CASING PEDESTAL STUFFING BOX HOUSING AND BASE PLATE

are manufactured from close grained cast iron machined to fine limits.

IMPELLER

is cast in highgrade gunmetal, machined all over on external surfaces, accurately balanced, and runs in renewable phosphor bronze sealing rings.

SHAFT

is best quality stainless steel, of large diameter for extra strength, machined to fine limits.

BEARINGS

for pump sizes up to 150mm are heavy duty ball bearings sealed for life, BM200 and BM250 are heavy duty ball and roller bearings.

COUPLING

is of the flexible type, relieving the motor bearings of any thrust from the pump.

MECHANICAL SEALS

can be fitted to all pumps if required.

TESTS

All pumps are fully tested before they leave our works to ensure perfect running.

As we are constantly endeavouring to improve our design and manufacture, we reserve the right to alter details given without prior notice.



PULLEN PUMPS LTD

58 BEDDINGTON LANE CROYDON SURREY CR9 4PT ENGLAND
Telephone 01-684 9521 Telegrams PULPUMP CROYDON Telex 946597

PULLEX LTD

Export Division of Pullen Pumps Ltd. Address as above