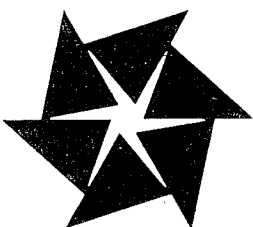
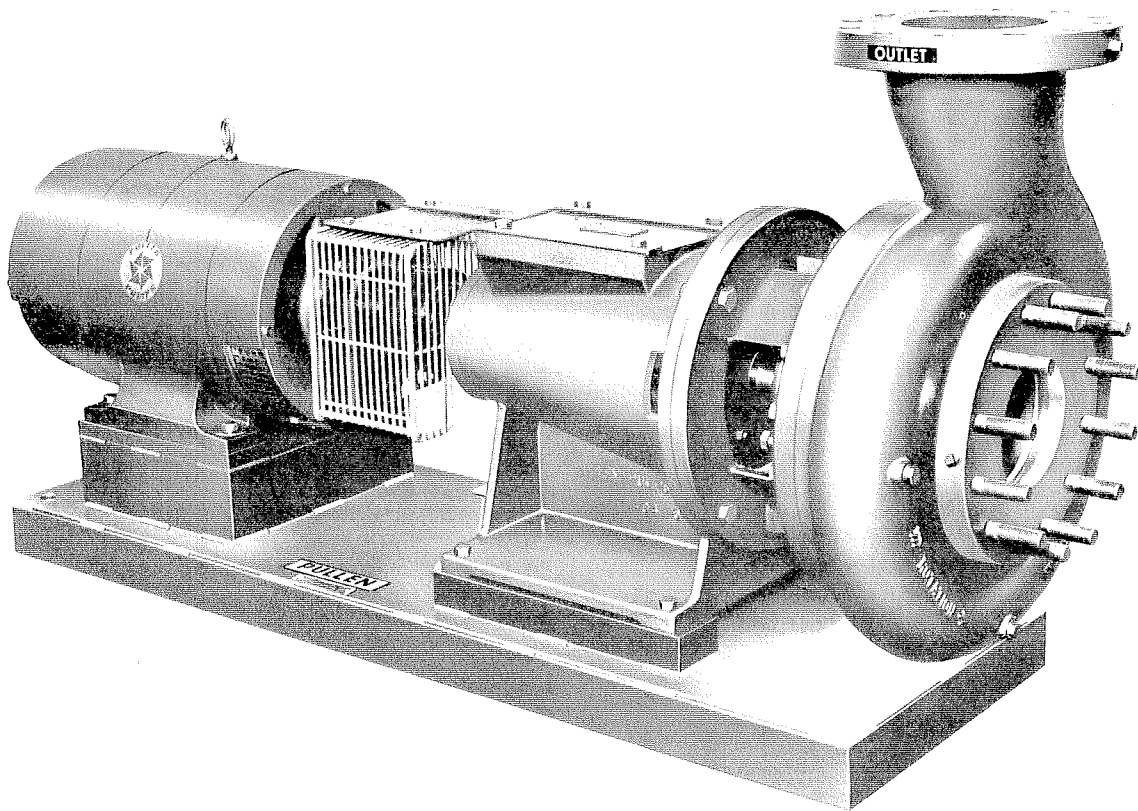


M Centripul 'B' Range Direct Drive Pumps



**For Hot and Cold Water on
Medium and High Pressures**

Centripul 'B' Range Centrifugal Pumps

The Pullen 'B' Range of Centrifugal Pumps are made to the highest possible standards of design, materials and workmanship, all being hand fitted to ensure perfect running. Their aim is to give years of service with the minimum of maintenance at the desired performance.

These pumps are equally well suited for pumping hot or cold water, at medium and high pressures.

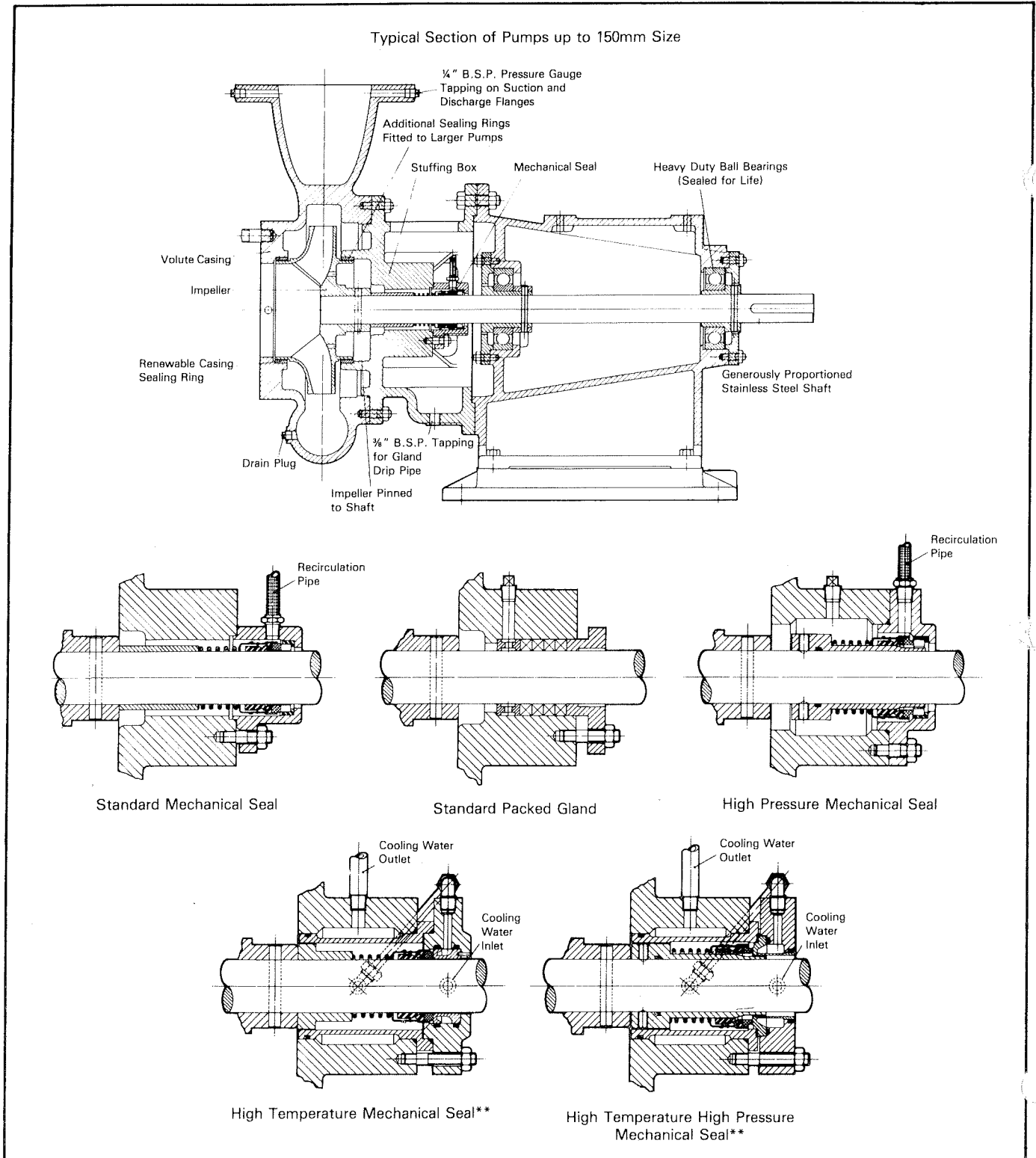
Mechanical Seals can be supplied on all pumps for

handling water at pressures up to 300 lb/in² and temperatures up to 340°F (170°C).**

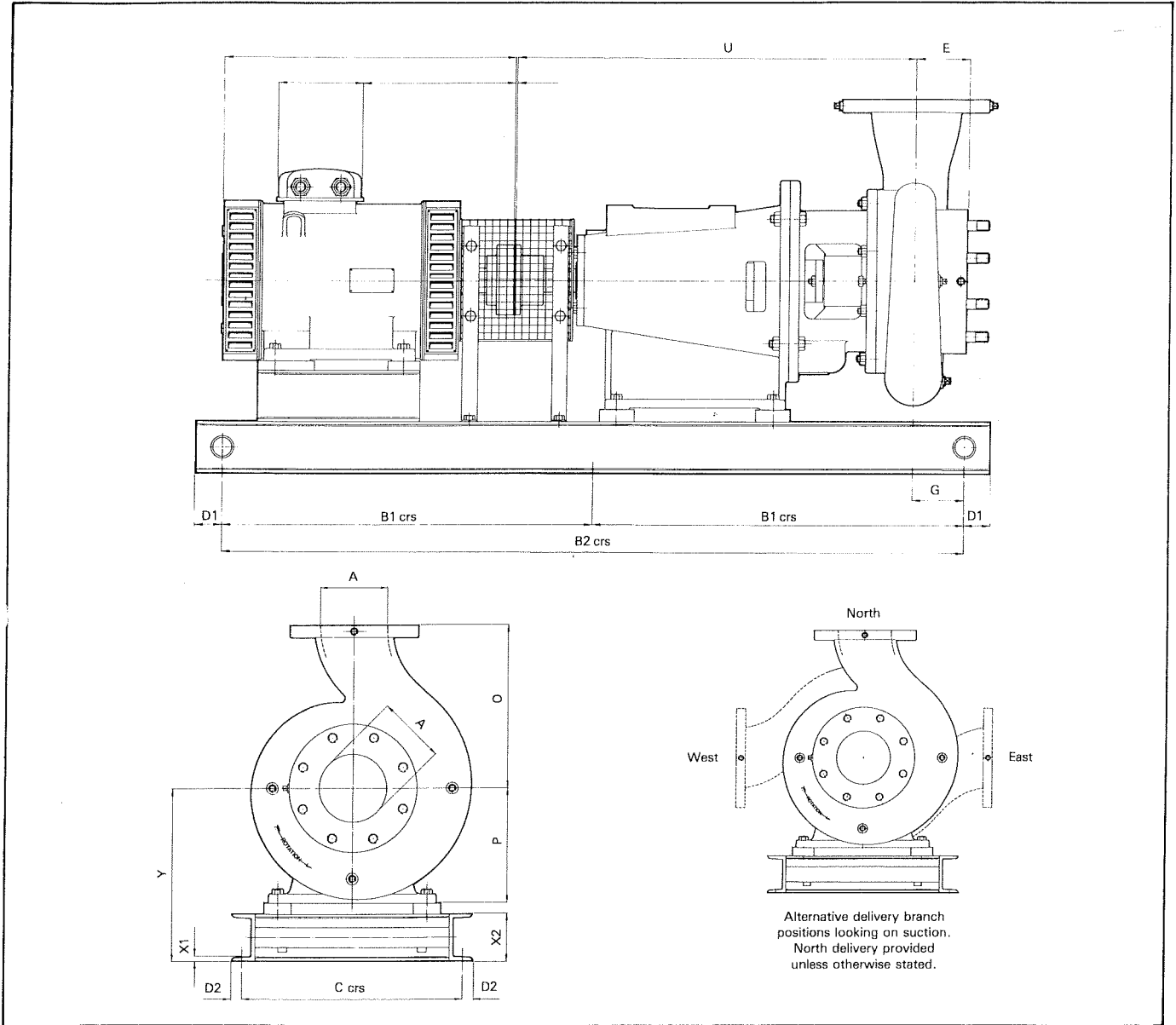
Packed glands can be supplied if requested for temperatures up to 240°F (115°C).

(See Mechanical Seal Arrangements).

****See leaflet AQ201 for details of unit suitable for supplying cooling water to the mechanical seals on high temperature applications.**



Dimensions



All dimensions in millimetres

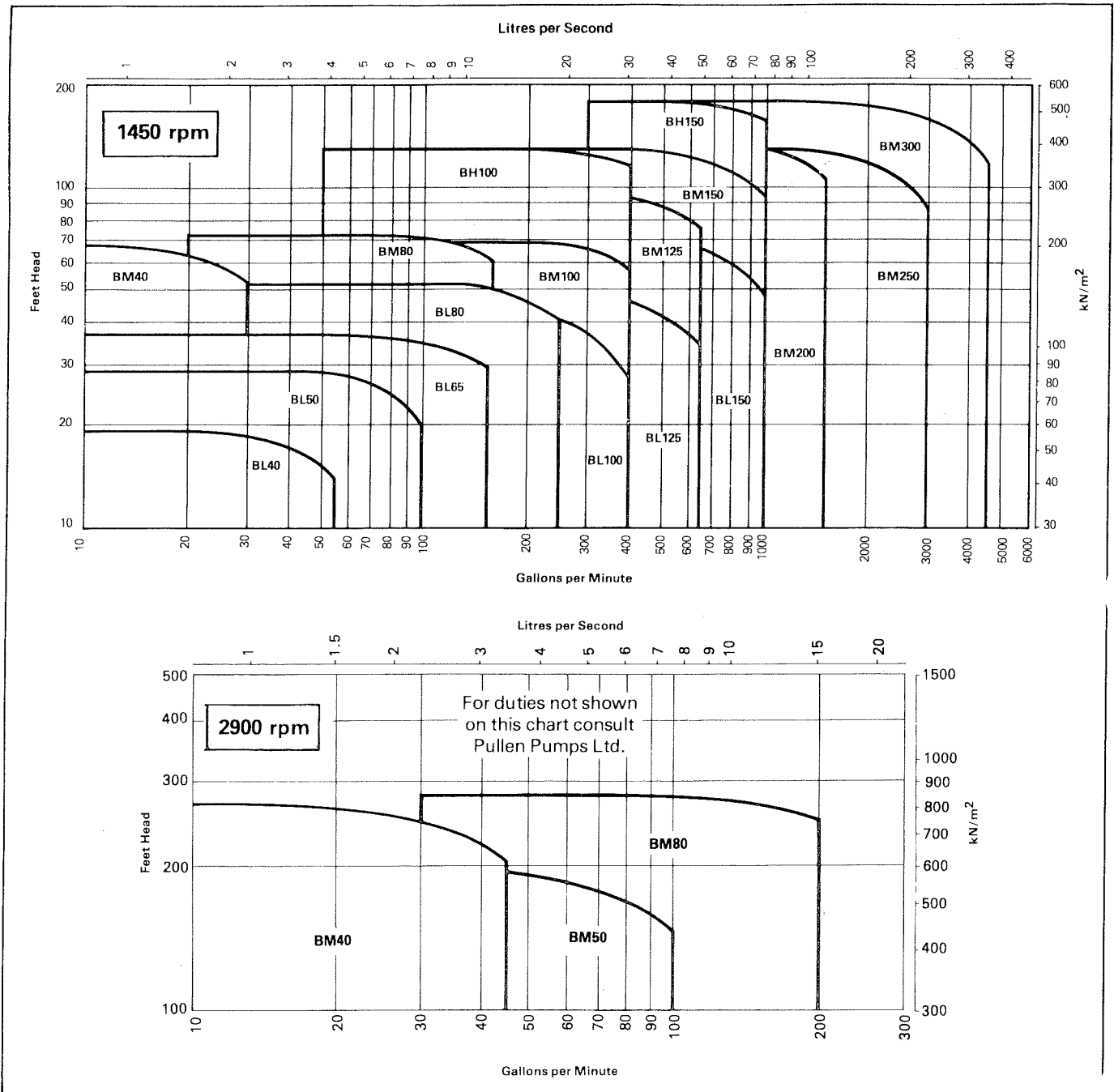
Pump	A	B1*	B2*	C*	D1*	D2*	E	G*	M*	O	P	U	X1*	X2*	Y*
BL40	40	740	740	280	25	25	60	60	10	160	160	424	60	230	
BL50	50	740	740	280	25	25	60	60	10	190	160	422	60	230	
BL65	65	740	740	280	25	25	65	65	10	220	160	422	60	230	
BL80	80	520	398	50	22	75	75	16	250	205	588	5	76	300	
BL100	100	600	398	50	22	80	80	16	270	205	593	5	76	300	
BL125	125	600	398	50	22	95	95	16	310	205	598	5	76	300	
BL150	150	680	488	50	22	100	100	16	360	255	785	7	76	380	
BH100	100	720	488	50	22	80	80	16	380	255	806	7	76	380	
BH150	150	890	488	50	22	105	105	16	450	255	790	7	76	380	
BM40	40	540	398	50	22	55	55	16	230	205	611	5	76	300	
BM50	50	570	398	50	22	55	55	16	215	205	616	5	76	300	
BM80	80	600	398	50	22	70	70	16	275	205	621	5	76	300	
BM100	100	640	488	50	22	80	80	16	300	205	600	7	102	380	
BM125	125	740	488	50	22	80	80	16	360	255	785	7	102	380	
BM150	150	805	488	50	22	85	85	16	420	255	785	7	102	380	
BM200	200	945	644	50	34	140	140	20	457	330	913	10	152	505	
BM250	250	970	644	50	34	220	220	20	580	330	925	10	152	505	
BM300	300	1030	644	50	34	250	250	20	600	330	952	10	152	505	

Baseplates are of fabricated construction except those marked thus † which are of cast iron construction.

Notes:

- Inlet and outlet flanges BS4504/NP16 unless otherwise ordered.
 - Suffix 'P' after pump type will have BS4504/NP25 flanges as standard.
 - Suffix 'T' after pump type will require at least ½ gpm cooling water supply at a maximum temperature of 140°F.
 - A ⅜" BSP tapping is provided for drip pipe from gland well of pump.
 - Use 'M' dia. holding down bolts.
 - Counter flanges are supplied as standard on sizes up to 150mm. Screwed flanges on pump sizes up to and including 80mm. Welding flanges on pump sizes up to 150mm
 - Add 70mm to 'U' dimension on BM200/250 pumps when high pressure, high temperature or high temperature/pressure pumps are required.
- § Packed glands not available on BM200 and BM250 pumps.
- *These dimensions are approximate and may vary for different motors.
- Packed glands must not be used in systems with varying pressures.**

Performance Curves



Material Specifications

CASING PEDESTAL STUFFING BOX HOUSING AND BASE PLATE

are manufactured from close-grained cast iron machined to fine limits.

IMPELLER

is cast in highgrade gunmetal, machined all over on external surfaces, accurately balanced, runs in renewable phosphor-bronze sealing rings. BM200 and BM250 pumps are fitted as standard with cast iron impellers.

SHAFT

is best quality stainless steel, of large diameter for extra strength, machined to fine limits.

BEARINGS

for pump sizes up to 150mm are heavy duty ball bearings sealed for life, BM200 and BM250 are heavy duty spherical roller bearings.

COUPLING

is of the flexible type, relieving the motor bearings of any thrust from the pump.

MECHANICAL SEALS

are fitted to all pumps as standard. Packed gland versions are available on request.

TESTS

All pumps are fully tested before they leave our works to ensure perfect running.

As we are constantly endeavouring to improve standards, we reserve the right to alter details given without prior notice.

58 Beddington Lane, Croydon, Surrey CR9 4PT, England

Telephone: 01-684 9521

Telegrams: PULPUMP CROYDON Telex: 946597

Northern Regional Sales Office:
11 Eagle Brow
LYMM, Cheshire
Tel: Lymm 5201/2/3
Telex: 627956

AUG 83 SUPERSEDES MAY 81