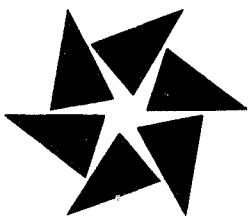
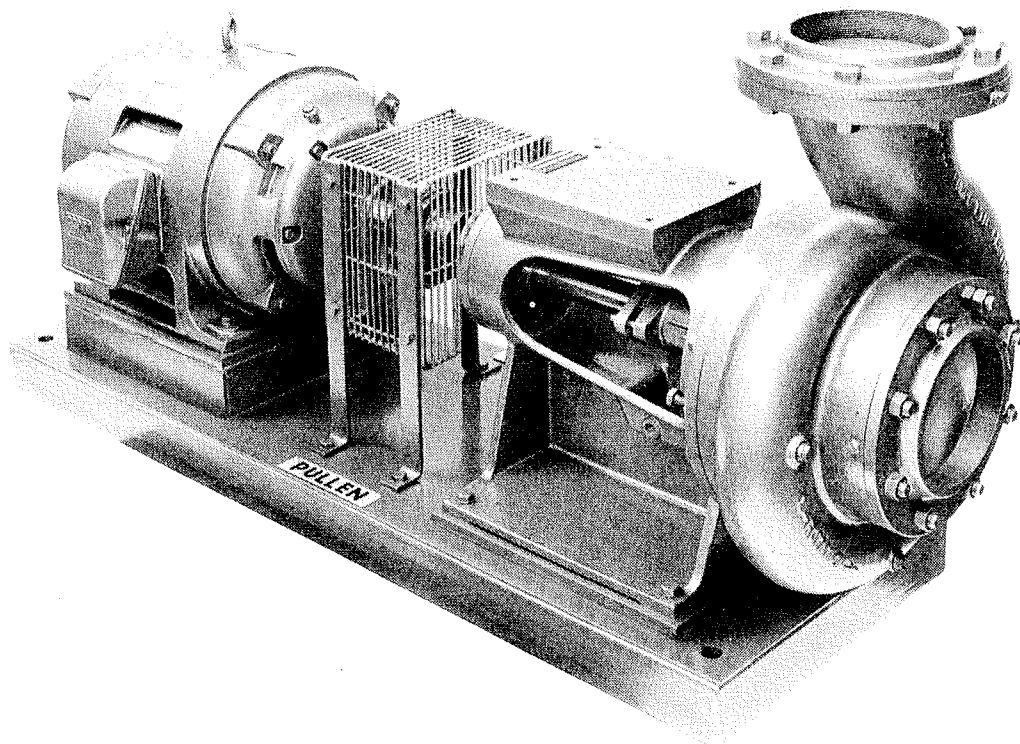
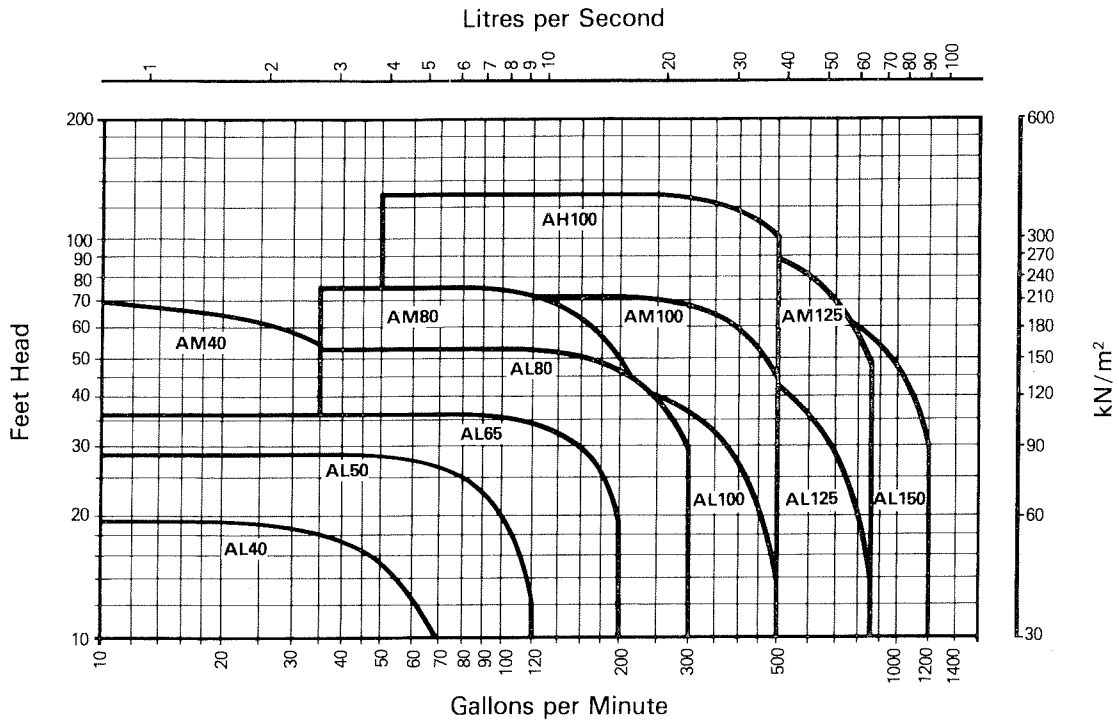


# M Centripul 'A' Range Direct Drive Pumps

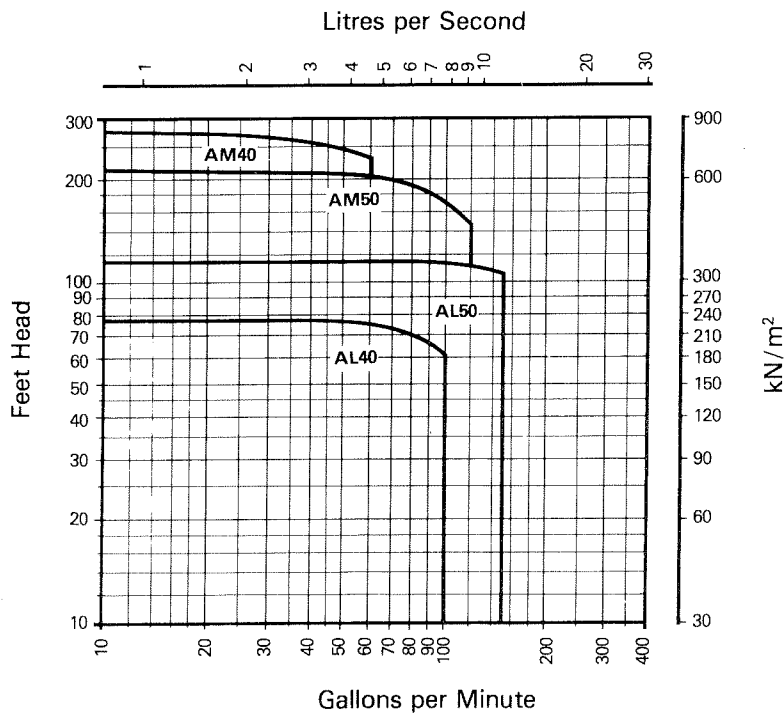


**For Hot and Cold Water  
Applications**

# Performance Characteristics



Standard Centrifugal Pump Curves at 1450 rpm



Standard Centrifugal Pump Curves at 2900 rpm

## Centripul 'A' Range Centrifugal Pumps

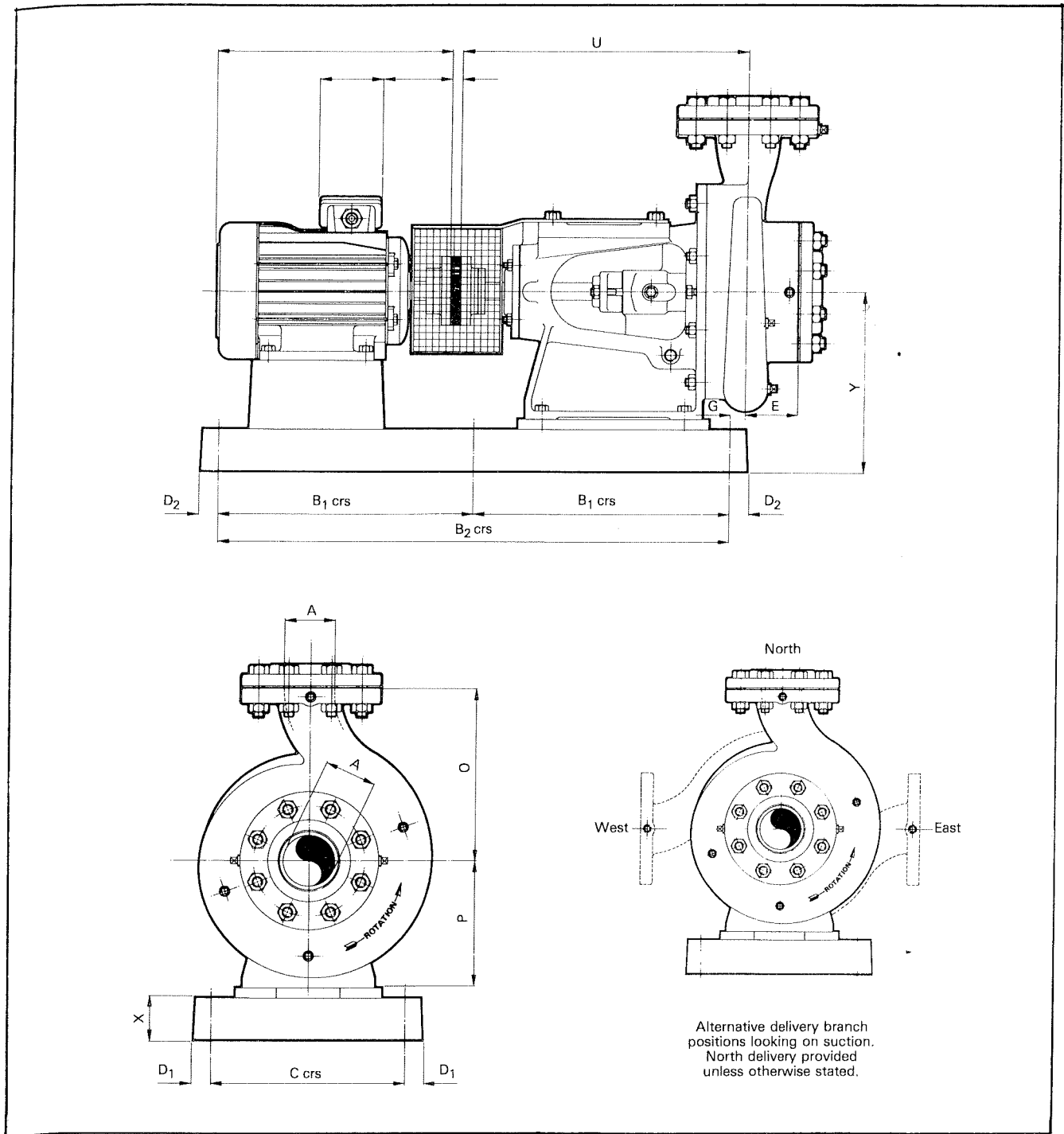
The Pullen 'A' Range of Centrifugal Pumps are made to the highest possible standards of design, material and workmanship, all being hand fitted to ensure perfect running. Their aim is to give years of service yet maintain quietness of operation and desired performance.

These pumps are well suited for pumping cold or hot

water up to a temperature of 240°F (115°C) and are supplied as standard with mechanical seals. Packed gland versions are available on request.

For temperatures of 240°F (115°C) to 340°F (170°C) see Leaflet No. B202M.

# Dimensions (millimetres)



All dimensions in millimetres

Pump	A	B <sub>1</sub> *	B <sub>2</sub> *	C*	D <sub>1</sub> *	D <sub>2</sub> *	E	G*	M*	O	P	U	X*	Y*
AL40	40		610	230	25	25	60	25	10	160	110	292	60	180
AL50	50		740	280	25	25	60	25	10	190	160	332	60	230
AL65	65		740	280	25	25	65	25	10	220	160	331	60	230
AL80	80		940	305	25	25	75	25	12	250	185	413	70	270
AL100	100		940	305	25	25	80	25	12	270	185	418	70	270
AL125	125		1065	330	25	25	95	25	12	310	205	504	82	302
AL150	150	635		486	22	50	100	-100	16	360	255	628	102	327
AM40	40		940	305	25	25	55	25	12	230	205	486	70	270
AM50	50		940	305	25	25	55	25	12	215	205	473	70	270
AM80	80		940	305	25	25	70	25	12	275	205	496	70	270
AM100	100		1065	305	25	25	80	25	12	300	205	506	82	302
AM125	125	635		486	22	50	80	-80	16	360	255	628	102	327
AH100	100	635		486	22	50	80	-80	16	380	255	649	102	327

### Notes:

- 1 Inlet and outlet flanges to BS4504/NP16 as standard. Other flanges can be supplied if required.
- 2 3/8" BSP tapping provided for drip pipe from gland well of pump.
- 3 Use 'M' dia. holding down bolts.
- 4 Counterflanges are supplied as standard. Screwed flanges on pump sizes up to and including 80mm. Welding flanges on pump sizes 100mm and above.

\*These dimensions are approximate and may vary for different motors.

**Packed glands must not be used in systems with varying pressures.**

# Material Specifications

## Casing, Pedestal and Baseplate

are constructed from cast iron machined to fine limits.

## Impeller

is cast in high grade gunmetal, machined all over on external surfaces, accurately balanced, and runs in renewable phosphor bronze sealing rings.

## Shaft

is best quality stainless steel, of large diameter for strength, machined to fine limits.

## Bearings

are heavy type ball bearing externally, sealed-for-life, with an additional phosphor bronze sleeve bearing internally.

## Coupling

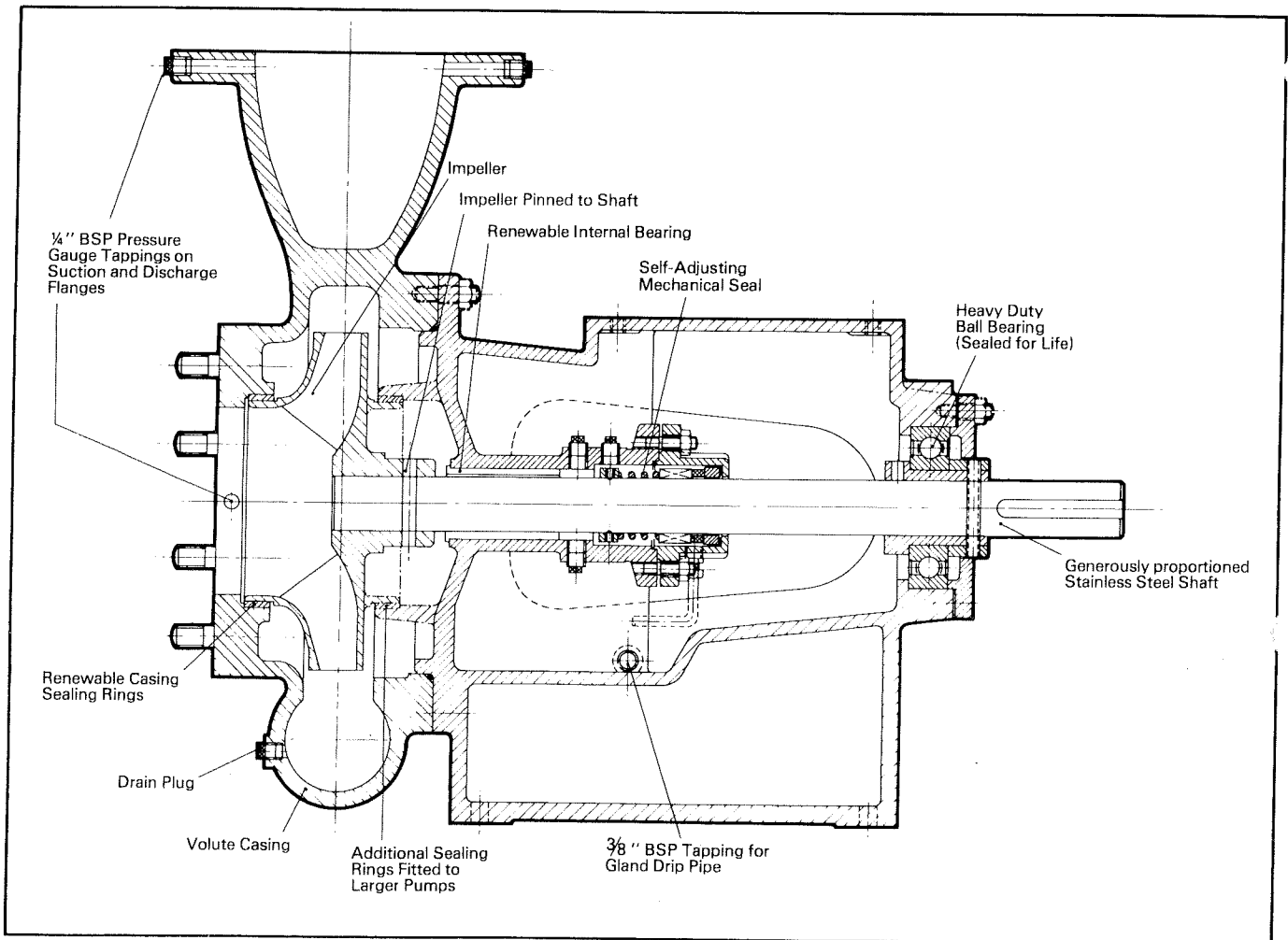
is of the flexible type, relieving the motor bearings of any thrust from the pump.

## Mechanical Seals

are fitted as standard. Packed glands can be supplied if required.

## Tests

All pumps are fully tested before they leave our works to ensure perfect running.



*As we are constantly endeavouring to improve standards, we reserve the right to alter details given without prior notice.*

58 Beddington Lane, Croydon, Surrey CR9 4PT, England

Telephone: 01-684 9521

Telegrams: PULPUMP CROYDON Telex: 946597

Northern Regional Sales Office:  
11 Eagle Brow  
LYMM, Cheshire  
Tel: Lymm 5201/2/3  
Telex: 627956

APR 84 SUPERSEDES SEPT 82