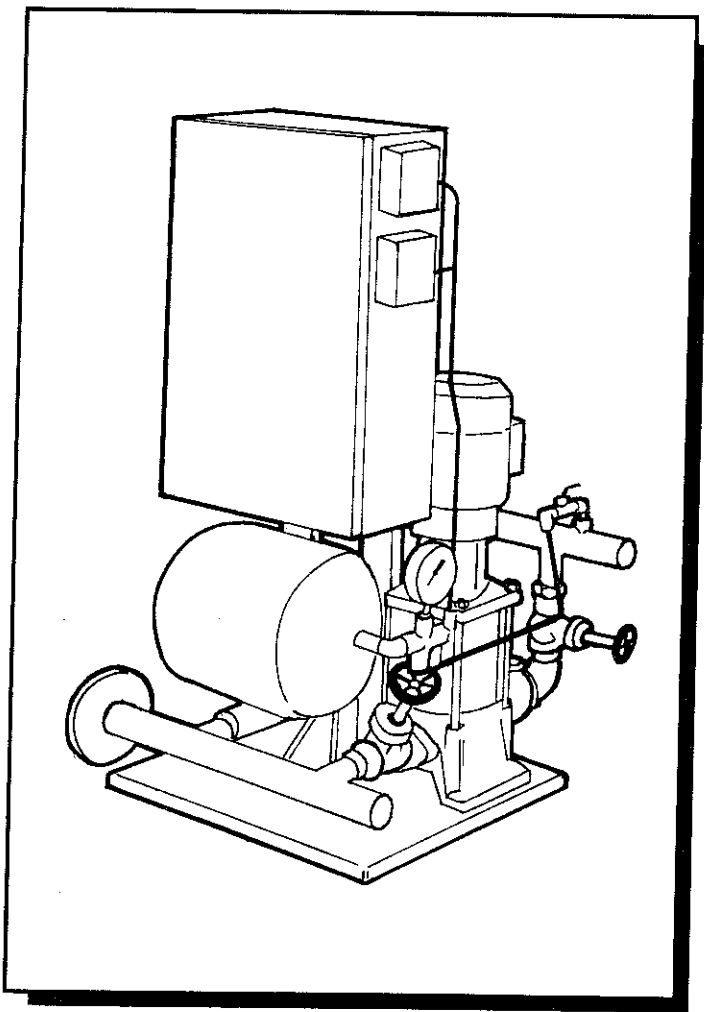




*A wealth of experience*



# Packaged Pump Sets

General Arrangement Drawings



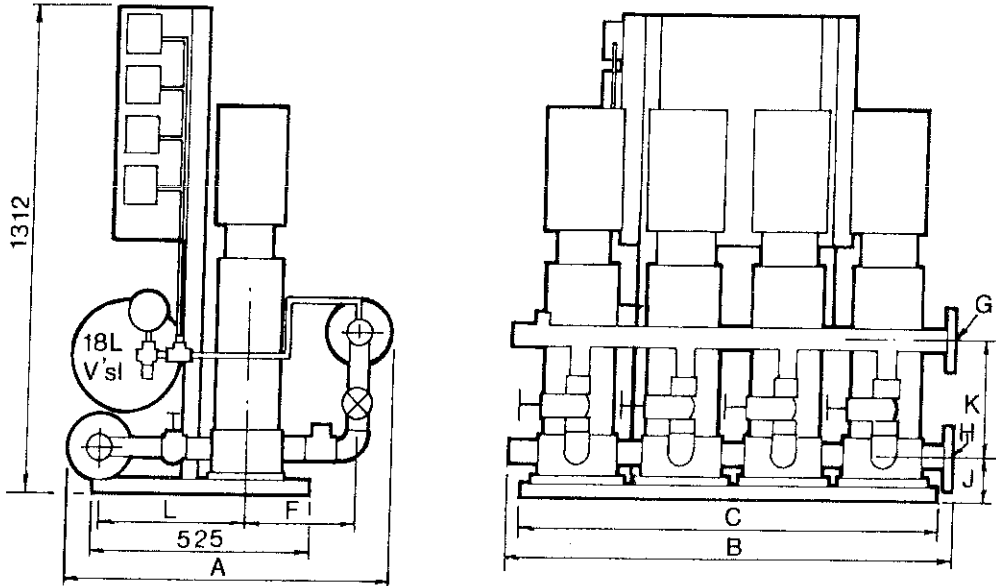
Certificate No: 930846

**Booster Set Dimension Leaflet**

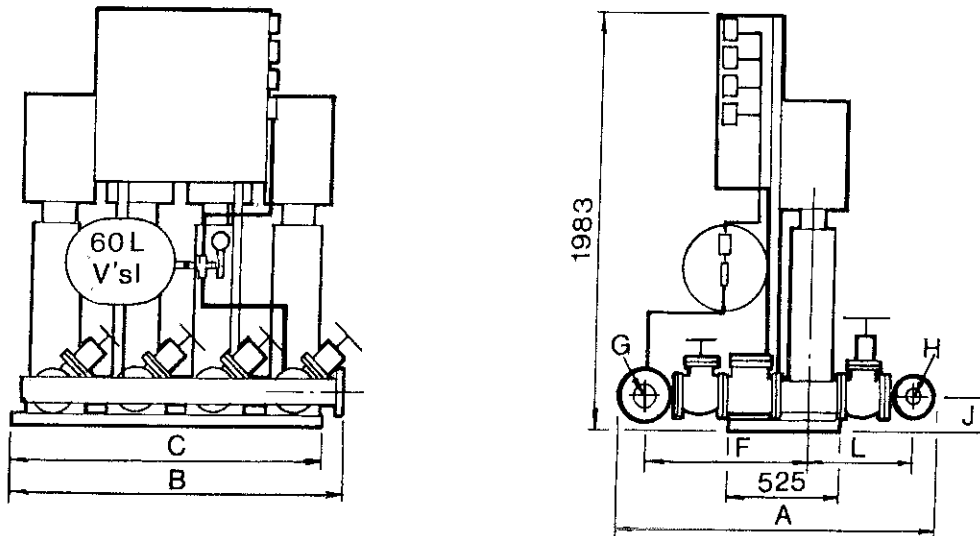
This brochure provides dimension drawings and schematic details. Please refer to our Starpak booster set leaflets 1610/J4-J7 for specifications and technical details.

**Multistage Pump Dimensions**

**RVL Pump References 2-2 to 10-9**



**RVL Pump References 18-2 to 45-10**





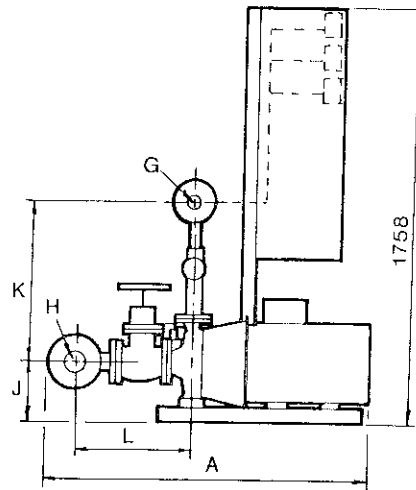
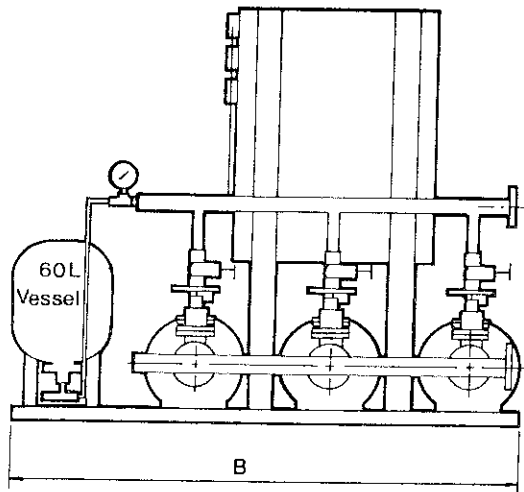
# Starbloc Pump Set Dimensions

## Set Types:

Hydropneumatic, Direct Transfer, Constant Run, Variable Speed

Note: Not all sets are equipped with every item shown.

Maximum W.P. 10 Bar



Pump Size	Motor kW Max	Suct Dia H	Dely Dia G	A	D	L	2 Pump Set				3 Pump Set			
							B	J	K	Wt Kg Max	B	J	K	Wt Kg Max
32-125	2.2	65 NB	50 NB	880	600	410	1325	170	560	347	1705	170	560	471
32-160	4.0						1420	190	560	432	1875	190	580	606
32-200	5.5						1520	220	600	521	2055	220	600	727
32-250	15.0						1685	240	645	698	2305	240	645	698
40-200	11.0	80 NB	50 NB	1305	1005	430	1685	240	600	640	2305	240	600	912
40-250	22.0			1335	1045	430	1710	240	645	834	2340	240	645	1224
50-125	4.0	80 NB	65 NB	880	600	410	1420	190	600	441	1875	190	600	635
50-160	5.5						1520	210	620	525	2055	210	620	752
50-200	18.5						1685	240	660	788	2305	240	660	1121
50-250	37.0						1810	270	685	1173	2545	270	685	1716
65-125	7.5	80 NB	65 NB	920	600	450	1520	210	705	615	2055	210	705	847
65-160	11.0			1325	1005	450	1685	270	725	740	2305	270	725	1042
65-200	30.0			1475	1135	500	1810	270	770	1193	2545	270	770	1740
65-250	45.0			1480	1110	525	1810	295	795	1448	2545	295	795	2089
80-125	11.0	100 NB	80 NB	1365	1005	505	1560	238	775	755	2305	238	775	1118
80-160	15.0						1560	238	795	807	2305	238	795	1244
80-165	15.0						1580	238	795	812	2305	238	795	1250
80-200	37.0						1590	255	810	1185	2335	210	795	1585
80-250	55.0	NB		1590	1200	520	1590	255	810	1200	2355	255	795	1615

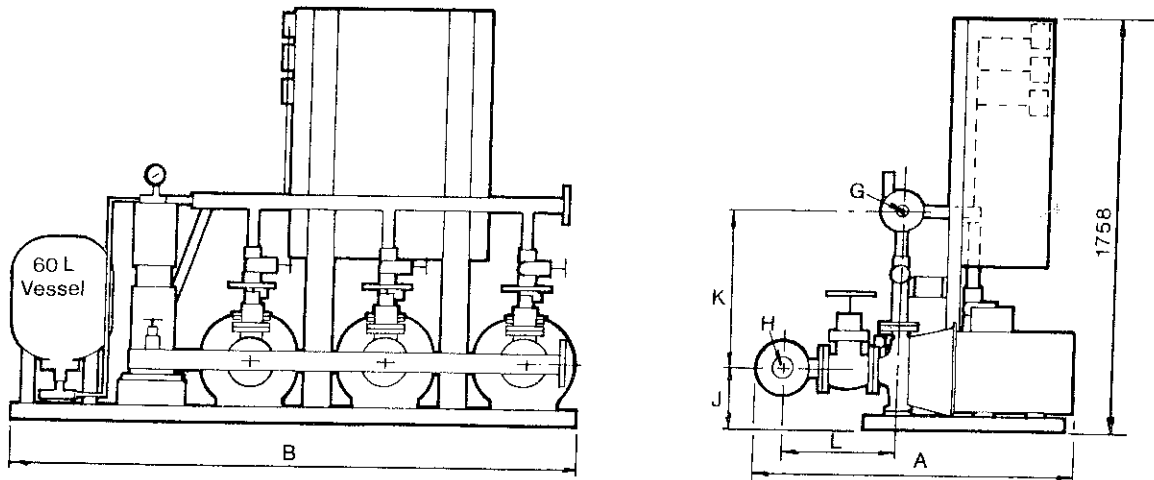
## Starbloc Pump Set Dimensions

### Set Types:

Hydropneumatic, Direct Transfer, Constant Run, Variable Speed

Note: Not all sets are equipped with every item shown.

Maximum W.P. 10 Bar



Pump Size	Motor kW Max	Suct Dia H	Dely Dia G	A	D	L	2 Pump Set & Jockey				3 Pump Set & Jockey				
							B	J	K	Wt Kg Max	B	J	K	Wt Kg Max	
32-125	2.2	65 NB	50 NB	880	600	410	1625	170	580	387	2005	170	580	491	
32-160	4.0						1720	190	580	452	2175	190	580	626	
32-200	5.5						1820	220	600	541	2355	220	600	747	
32-250	15.0	80 NB	50 NB	1295	1005	430	1985	240	645	718	2608	240	645	718	
40-200	11.0			1305	1005	430	1985	240	600	660	2608	240	600	932	
40-250	22.0			1335	1045	430	2010	240	645	654	2640	240	645	1244	
50-125	4.0	80 NB	65 NB	880	600	410	1720	190	600	461	2175	190	600	655	
50-160	5.5						1820	210	620	545	2355	210	620	772	
50-200	18.5						1985	240	660	808	2605	240	660	1141	
50-250	37.0	100 NB	80 NB	1450	1115	475	2110	270	685	1193	2845	270	685	1736	
65-125	7.5	80 NB		65 NB	920	600	450	1820	210	705	635	2355	210	705	867
65-160	11.0				1325	1005	450	1985	270	725	760	2805	270	725	1062
65-200	30.0		100 NB		1475	1135	500	2110	270	770	1203	2845	270	770	1780
65-250	45.0	125 NB	80 NB	1480	1110	525	2110	295	795	1466	2845	295	795	2109	
80-125	11.0	100 NB		80 NB	1365	1005	505	1590	238	775	805	2335	238	775	1148
80-180	15.0	1590						238	795	837	2335	238	795	1274	
80-165	15.0	1590	238					795	842	2335	238	795	1280		
80-200	37.0	125 NB	80 NB	1520	1200	520	1620	255	810	1215	2365	210	795	1615	
80-250	55.0	100 NB					1620	255	810	1230	2365	255	795	1645	

Certified drawings will be supplied on request

Note: Improvements in general design and modifications in detail will be embodied for the benefit of clients as and when introduced; consequently this specification is subject to alteration, as may be necessary, without notice

**Pumps Pump Spares Service Maintenance Contracts**  
**Centrifugal Pumps Pressurisation Units Packaged Pump Sets High Pressure Pumps**

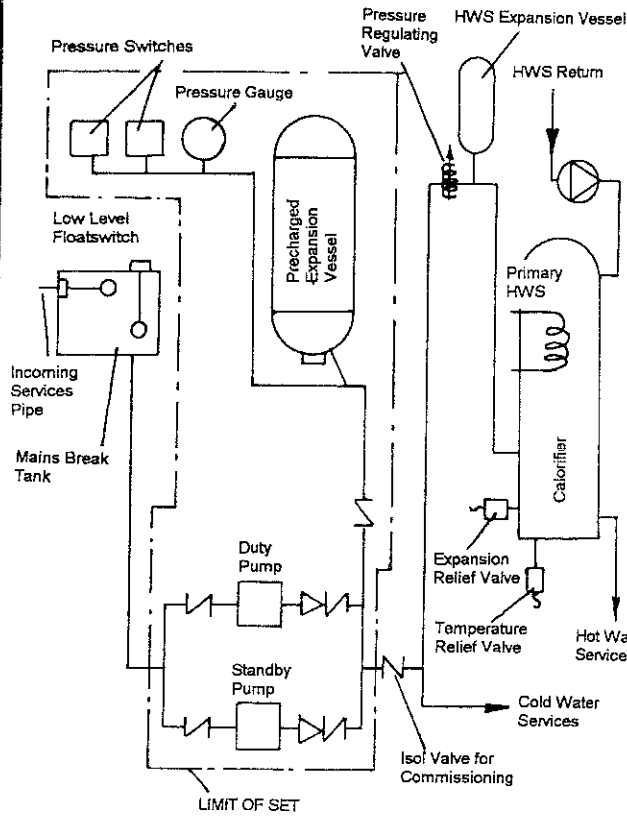
Manchester  
 Wenlock Way  
 West Gorton  
 MANCHESTER M12 5JL  
 Tel: ++44(0) 161-223-2223  
 Fax: ++44(0) 161-220-9660

London & South  
 Unit 2, Princess Mews  
 Horace Road  
 KINGSTON-U-THAMES KT1 2SZ  
 Tel: 0181-547-0411  
 Fax: 0181-547-0838

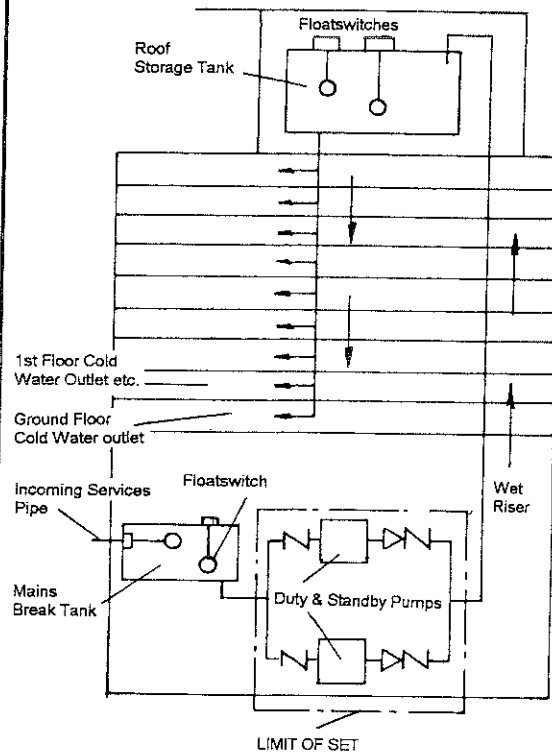
Glasgow  
 Tel: 0141-943-1252

Northern Ireland  
 Northern Boiler Services Ltd (Agent)  
 Unit 29, Bloomfield Commercial Centre  
 East Bread Street, BELFAST BT5 5AW  
 Tel: 01232-453339  
 Fax: 01232-738591

### Schematic Layout Hydropneumatic Booster Set



### Schematic Layout Direct Transfer Set



### Typical 2 Pump Set Wiring Diagram

