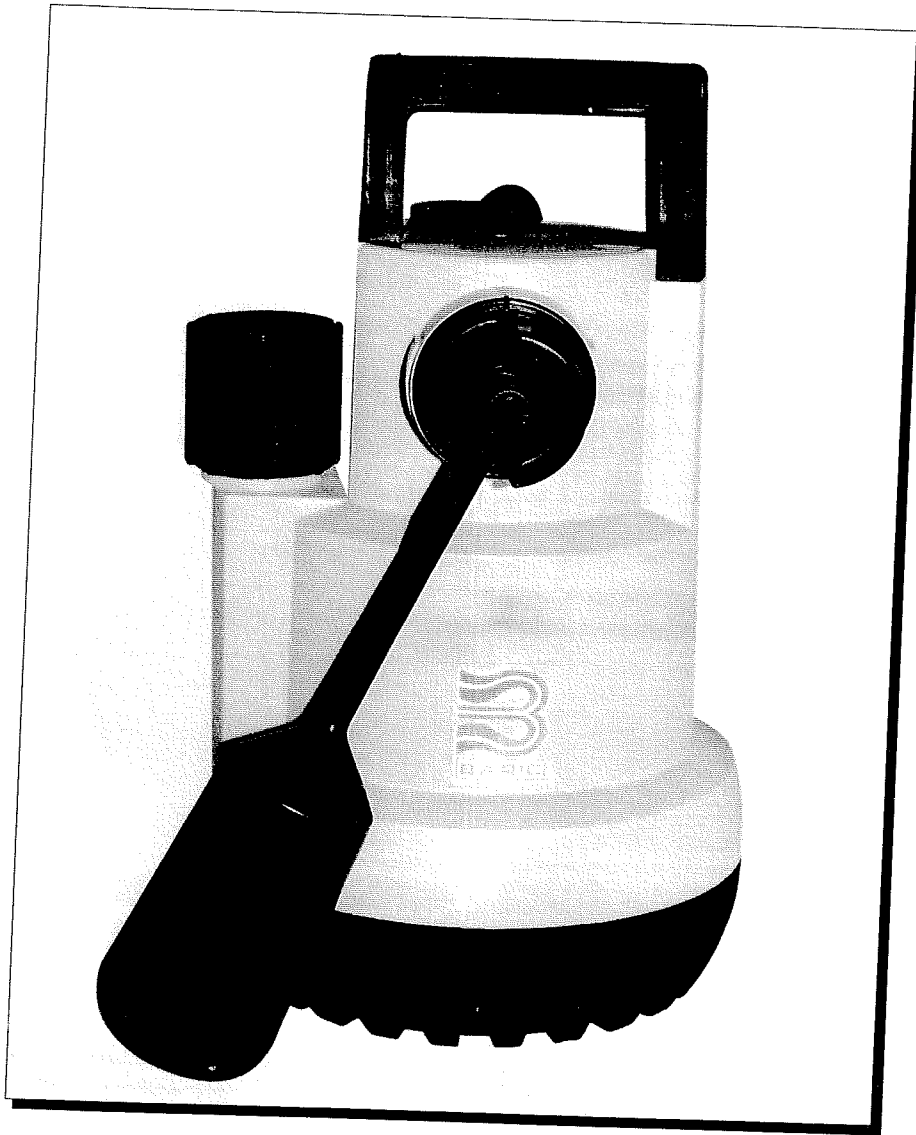


Sumpak

submersible pumps



Finest in fluid handling



Certificate No. 936649

SUMPAK



Sumpak Submersible Pumps

Baric Pumps Limited are able to supply a range of fully submersible pumps capable of handling a wide range of liquids and liquids containing solids in suspension. A brief description of the range is listed below.

Sumpak Range 301-65221 Waste Water

Suitable for drainage of pits, shafts, yard and cellars, river or reservoir water. Slightly contaminated water containing solids up to 10mm. Model F324-S1 is suitable for highly fibrous waste water only (i.e. from laundries/industrial plant).

Sumpak Range 301C-65221C Aggressive Water

Sea water or salt containing water, swimming pool and brackish water. Will handle solids up to 10mm.

Sumpak Range 3242R-65221R Oil Containing Water/Oil Emulsions

Oil emulsions, cutting oils, oil containing waste water. Will handle solids up to 12mm.

Operating Data

Pump Sizes 301 to F324

Quantity : up to 3.9 l/s.
Head : up to 12 metres.
Temperature : up to 35°C.

Pump Sizes 3242 to 65221

Quantity : up to 36 l/s.
Head : up to 26 metres.
Temperature : up to 50°C.
(for max. 3 min. up to 90°C).
(65221 up to 40°C).

Shaft Seals

Pump Sizes 301 to F324

Impeller side 2 shaft seal rings, motor side 1 shaft seal ring. An oil chamber is fitted in-between the two seals.

Pump Sizes 3242 to 65221

Impeller side 1 mechanical seal, motor side 1 shaft seal ring. An oil chamber is fitted in-between the two seals.

Pump Sizes 8040 and 10075

Impeller side 1 mechanical seal, motor side 1 mechanical seal. An oil chamber is fitted in-between the two seals.

Materials of Construction

Pump Sizes 301 to F324

Component	301 to F324	301C & 303C
Pump Casing	Polypropylene	Polypropylene
Volute Casing/ Suction Cover	Polyphenylene Oxide	Polyphenylene Oxide
Foot	Polypropylene(301/303) Polycarbonate (F324)	Polypropylene
Motor Casing	Chrome Nickel Steel	Chrome Nickel Molybdenum Steel
Shaft	Chrome Steel	Chrome Nickel Molybdenum Steel
Impeller	Polypropylene (301/F324) Polyphenylene Oxide (303)	Polypropylene (301) Polyphenylene Oxide (303)
Casing Cover	Polyacetal	Polyacetal
Float Switch(float)	Polypropylene	Polypropylene

Pump Sizes 3242 to 65221 Standard Range

Component	3242 to 4072	40111 to 65221	8040 & 10075
Pump Casing	Polypropylene	Polypropylene	Cast Iron
Suction Cover	Polypropylene	Galvanised Steel	Steel, CK 45N
Foot	Polyethylene	Polyethylene	Polystyrene
Impeller	Polyamide	Polyamide	Cast Iron
Profile Joint 'O' Ring	Nitrile Butadiene Rubber	Nitrile Butadiene Rubber	Nitrile Butadiene Rubber
Mechanical Seal	Silicon Carbide	Silicon Carbide	Tungsten Carbide
Stator Coat, Motor Casing	Chrome Nickel Steel	Chrome Nickel Steel	Plastic Coated Aluminium
Rotor Shaft	Chrome Steel	Chrome Steel	Chrome Steel
Motor Supply Power Cable	Polychloroprene	Polychloroprene	Polychloroprene
Float Switch(float)	Polypropylene	Polypropylene	Polypropylene
Oil Supply	Thin Bodied Paraffin Oil (Medical White Oil)		

Pump Sizes 3242 to 65221 'C' Range

Component	3242 to 4072	40111 to 65221
Pump Casing	Polypropylene	Polypropylene
Suction Cover	Polypropylene	Chrome Nickel Molybdenum Steel
Foot	Polyethylene	Polyethylene
Impeller	Polyamide	Polyamide
Profile Joint 'O' Ring	Nitrile Butadiene Rubber	Nitrile Butadiene Rubber
Mechanical Seal	Silicon Carbide	Silicon Carbide
Stator Coat, Motor Casing	Chrome Nickel Molybdenum Steel	Chrome Nickel Molybdenum Steel
Rotor Shaft	Chrome Nickel Molybdenum Steel	Chrome Nickel Molybdenum Steel
Motor Supply Power Cable	Polychloroprene	Polychloroprene
Float Switch(float)	Polypropylene	Polypropylene
Oil Supply	Thin Bodied Paraffin Oil (Medical White Oil)	

Pump Sizes 3242 to 65221 'R' Range

Component	3242 to 4072	40111 to 65221
Pump Casing	Polypropylene	Polypropylene
Suction Cover	Polypropylene	Galvanised Steel
Foot	Polyethylene	Galvanised Steel
Impeller	Polyamide	Polyamide
Profile Joint 'O' Ring	Fluorocautchouc	Fluorocautchouc
Mechanical Seal	Silicon Carbide	Silicon Carbide
Stator Coat, Motor Casing	Chrome Nickel Steel	Chrome Nickel Steel
Rotor Shaft	Chrome Steel	Chrome Steel
Motor Supply Power Cable	Polyurethane	Polyurethane
Float Switch(float)	Polypropylene	Polypropylene
Oil Supply	Thin Bodied Paraffin Oil (Medical White Oil)	

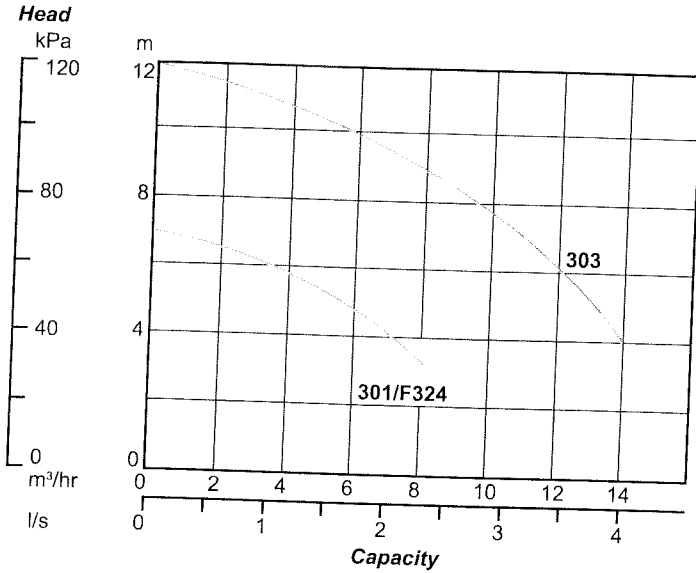
Bearings

Pump size 301 : Deep groove ball bearings/ plain bearings.
Pump sizes 303 and above : Deep groove ball bearings, grease lubricated for life.

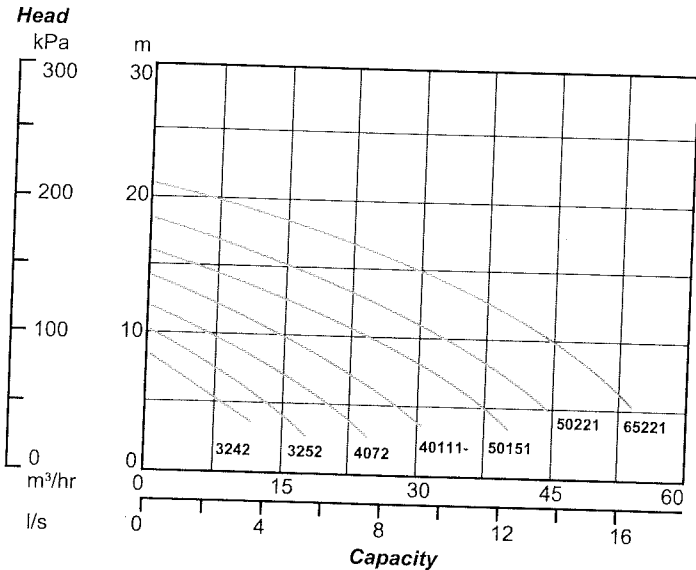
Design/Variants

Vertical, fully floodable submersible motor pumps in close coupled design, IP68, single stage, with or without level control. Integrated swing check valve on models 301 and 303.

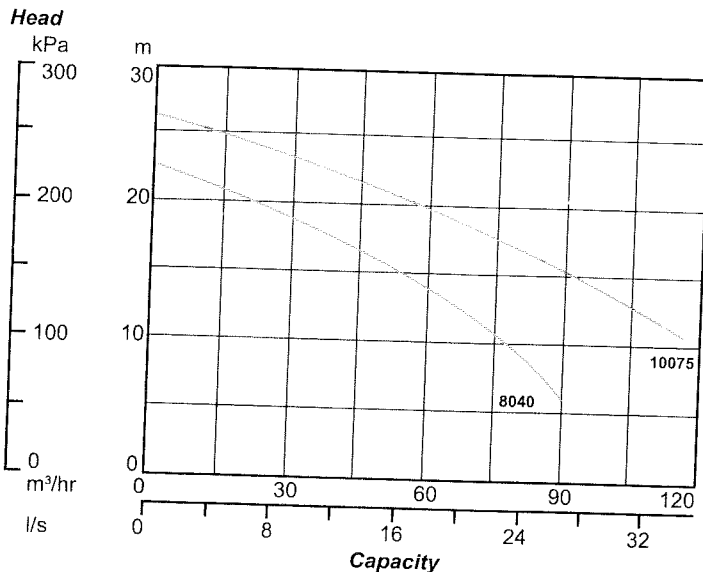
Pump Performance Curves and Dimensions
 Pump Sizes 301, 301C, 303, 303C, F324



Pump Sizes 3242, 3242C, 3242R, 3252, 3252C, 3252R, 4072, 4072C, 4072R, 40111, 40111C, 40111R, 50151, 50151C, 50151R, 50221, 50221C, 50221R, 65221, 65221C, 65221R



Pump Sizes 8040, 10075



Waste Water

Sumpak Ref.	Outlet Conn. Size	Supply Voltage	Switch Operation Min. Water Level Distance mm	
			Auto	Manual
301-S1	1.1/4" BSP F	240/1/50	90	15
303-S1	1.1/4" BSP F	240/1/50	140	15
F324-S1	1.1/4" BSP F	240/1/50	100	35
3242-S1	1.1/4" BSP F	240/1/50	90	40
3242-S3	1.1/4" BSP F	415/3/50	90	40
3252-S1	1.1/4" BSP F	240/1/50	90	40
3252-S3	1.1/4" BSP F	415/3/50	90	40
4072-S1	1.1/2" BSP F	240/1/50	90	40
4072-S3	1.1/2" BSP F	415/3/50	90	40
40111-S1	1.1/2" BSP F	240/1/50	60	
40111-S3	1.1/2" BSP F	415/3/50	60	
50151-S1	2" BSP F	240/1/50	60	
50151-S3	2" BSP F	415/3/50	60	
50221-S3	2" BSP F	415/3/50	60	
65221-S3	65 PN 16	415/3/50	60	
8040-S3	80 PN 16	415/3/50	80	80
10075 S3	100 PN 16	415/3/50	80	80

Aggressive Water

301C-S1	1.1/4" BSP F	240/1/50	90	15
303C-S1	1.1/4" BSP F	240/1/50	140	15
3242C-S1	1.1/4" BSP F	240/1/50	90	40
3242C-S3	1.1/4" BSP F	415/3/50	90	40
3252C-S1	1.1/4" BSP F	240/1/50	90	40
3252C-S3	1.1/4" BSP F	415/3/50	90	40
4072C-S1	1.1/2" BSP F	240/1/50	90	40
4072C-S3	1.1/2" BSP F	415/3/50	90	40
40111C-S1	1.1/2" BSP F	240/1/50	60	
40111C-S3	1.1/2" BSP F	415/3/50	60	
50151C-S1	2" BSP F	240/1/50	60	
50151C-S3	2" BSP F	415/3/50	60	
50221C-S3	2" BSP F	415/3/50	60	
65221C-S3	65 PN 16	415/3/50	60	

Oil Containing Water/Oil Emulsions

3242R-S3	1.1/4" BSP F	415/3/50	90	40
3252R-S3	1.1/4" BSP F	415/3/50	90	40
4072R-S1	1.1/2" BSP F	240/1/50	90	40
4072R-S3	1.1/2" BSP F	415/3/50	90	40
40111R-S1	1.1/2" BSP F	240/1/50	60	
40111R-S3	1.1/2" BSP F	415/3/50	60	
50151R-S1	2" BSP F	240/1/50	60	
50151R-S3	2" BSP F	415/3/50	60	
50221R-S3	2" BSP F	415/3/50	60	
65221R-S3	65 PN 16	415/3/50	60	

Typical Dimensions

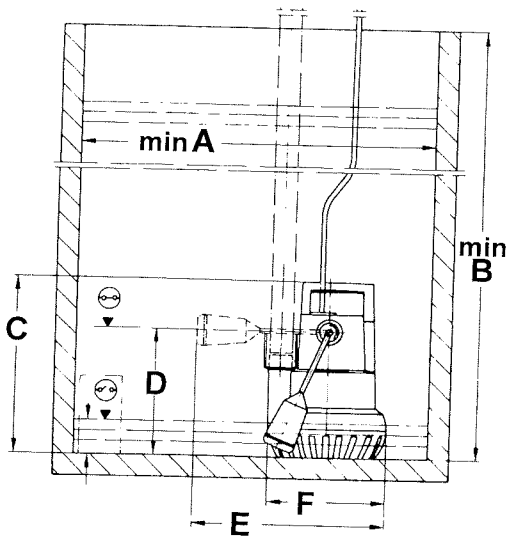
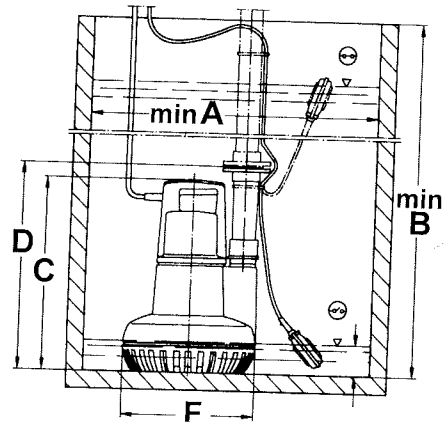
Certified arrangement drawings will be supplied on request

Pump Sizes 301, 301C, 303, 303C, F324, 3242, 3242C, 3242R, 3252, 3252C, 3252R, 4072, 4072C, 4072R, 40111, 40111C, 40111R, 50151, 50151C, 50151R.

Ref	A	B	C	D	E	F
301-S1 301C-S1	400	400	321	220	332	190
303-S1 303C-S1	400	500	375	274	332	190
F324	450	550	410	310	395	190
3242-S1 & S3 3242C-S1 & S3 3242R-S3	500	500	390	295	412	240
3252-S1 & S3 3252C-S1 & S3 3252R-S3	500	500	390	295	412	240
4072-S1 & S3 4072C-S1 & S3 4072R-S1 & S3	500	500	390			240
40111-S1 & S3 40111C-S1 & S3 40111R-S1 & S3	500	500	440			306
50151-S1 & S3 50151C-S1 & S3 50151R-S1 & S3	500	500	440			306

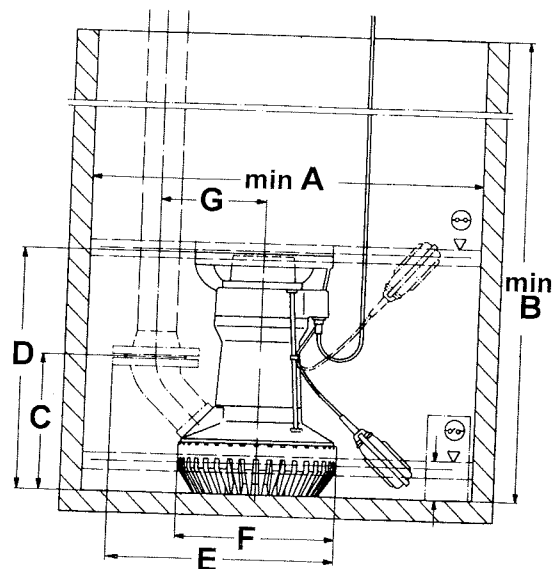
Pump Sizes 50221, 50221C, 50221R, 65221, 65221C, 65221R.

Ref	A	B	C	D	E	F
50221-S3 50221C-S3 50221R-S3	500	500	440	515		306
65221-S3 65221C-S3 65221R-3S	500	500	440	515		306



Pump Sizes 8040, 10075

Ref	A	B	C	D	E	F	G
8040-S3	800	800	312	556	511	356	233
10075-S3	800	800	340	628	416	578	260



Head Office
Baric Pumps Limited
PO Box 51
Manchester M12 5UF
England
Tel: (0161) 230 6744
Fax: (0161) 230 6752



Finest in fluid handling

Rights reserved to alter designs and specifications without prior notice

London Office
Baric Pumps Limited
PO Box 469
Kingston-U-Thames
KT1 2YH
Tel: (0181) 336 2828
Fax: (0181) 336 0808