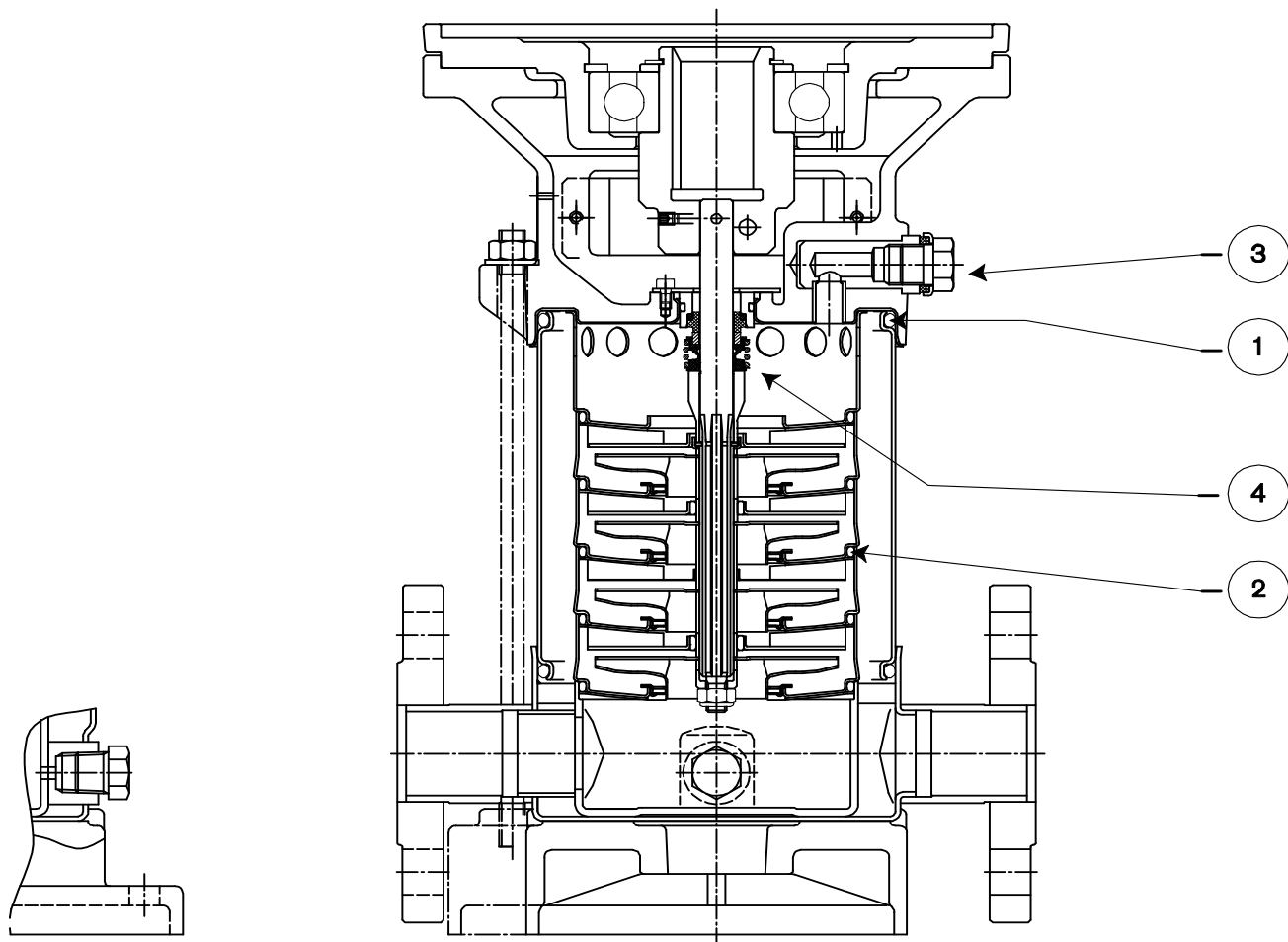




FILE NO.:	6062.105
DATE:	February 15, 2011
SUPERSEDES:	New
DATE:	New

RECOMMENDED SPARE PARTS LIST

6800 IVS VMS Booster Systems



***ITEM 1 - OUTER CASING O-RING**

PUMP SIZE	QTY REQUIRED	PART NUMBER	BAR CODE
VMS 03	2	190100-000	
VMS 05			
VMS 10	2	190100-001	
VMS 18			
VMS 32	2	190100-002	
VMS 45	2	190100-003	
VMS 64			

***ITEM 2 - INTERMEDIATE CASING O-RING**

PUMP SIZE	QTY REQUIRED	PART NUMBER	BAR CODE
VMS 03	1 PER STAGE	190110-000	
VMS 05			
VMS 10	1 PER STAGE	190110-001	
VMS 18			
VMS 32	N/A		
VMS 45	N/A		
VMS 64			

ITEM 3 – PRIMING PLUG

PUMP SIZE	PART NUMBER	BAR CODE
VMS 03	190115-000	
VMS 05		
VMS 10		
VMS 18		
VMS 32		
VMS 45		
VMS 64		

***ITEM 4 - MECHANICAL SEAL**

PUMP SIZE	PART NUMBER	BAR CODE
VMS 03	190120-001	
VMS 05		
VMS 10	190120-002	
VMS 18	190120-003	
VMS 32	190120-004	
VMS 32-9 TO 32-10-1	190120-005	
VMS 45	190120-004	
VMS 64		

* = RECOMMENDED SPARES