

## PARTS LIST

---

# IVS UNITS

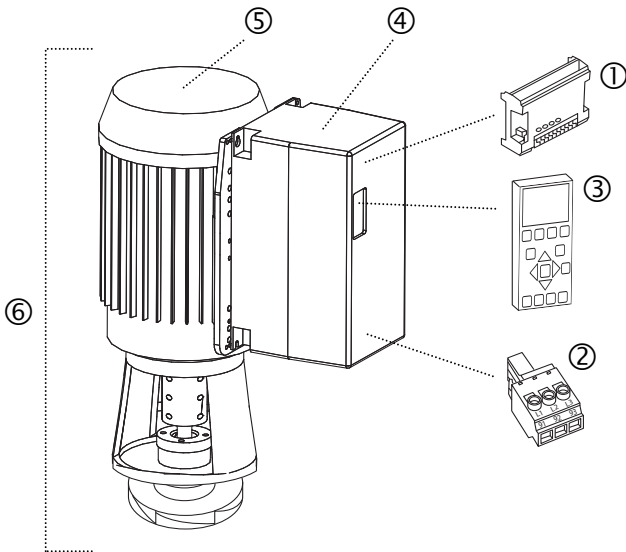
4300 IVS and 4380 IVS

**NEW DESIGN**

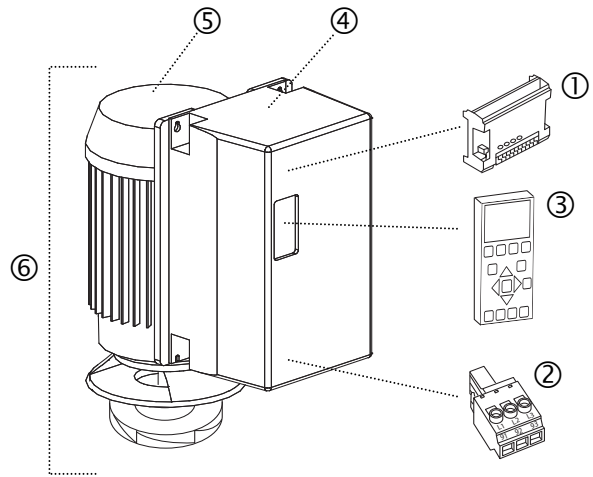


# IVS UNITS

## 4300 IVS and 4380 IVS



For dualArm 4302 IVS units, use 4300 IVS x 2



For dualArm 4382 IVS units, use 4380 IVS x 2

ITEM	DESCRIPTION	PAGE
1	BMS Protocol Card	3
2	Terminal Block Kit	3
3	IVS Local Control Panel (LCP) Keypad	4
4	IVS Drive	4
5	Motor	4
6	IVS Rotating Assembly	4

Item 1 – BMS Protocol Card			
QTY	DESCRIPTION	PART NUMBER	BAR CODE
1	BMS Protocol card - BACnet MS/TP	PROTOCOL-D0-B	
1	BMS Protocol card - LonWorks	PROTOCOL-D0-L	
1	BMS Protocol card - Profibus	PROTOCOL-D0-P	
1	BMS Protocol card - DeviceNet	PROTOCOL-D0-D	

Item 2 – Terminal Block Kit (refer to Power Range – Chassis Size table on Page 4)			
QTY	DESCRIPTION	PART NUMBER	BAR CODE
1	Terminal Block Kit, Chassis Size A2/A3	IVS-TMLBLK-A2	
1	Terminal Block Kit, Chassis Size A5	IVS-TMLBLK-A5	
1	Terminal Block Kit, Chassis Size B1	IVS-TMLBLK-B1	
1	Terminal Block Kit, Chassis Size B2	IVS-TMLBLK-B2	
1	Terminal Block Kit, Chassis Size C1	IVS-TMLBLK-C1	
1	Terminal Block Kit, Chassis Size C2	IVS-TMLBLK-C2	
1	Terminal Block Kit, Chassis Size D1	IVS-TMLBLK-D1	
1	Terminal Block Kit, Chassis Size D2	IVS-TMLBLK-D2	
1	Terminal Block Kit, Chassis Size E1	IVS-TMLBLK-E1	

# IVS UNITS

## 4300 IVS and 4380 IVS

Power Range – Chassis Size			
200-240V	380-480V	525V-600V	CHASSIS SIZE
1 – 3	1 – 5	---	A2 (UL Type 1 only)
5	7.5 – 10	1 – 10	A3 (UL Type 1 only)
1 – 5	1 – 10	1 – 10	A5 (UL Type 12 only)
7.5 – 15	15 – 25	15 – 25	B1
20 – 20	30 – 40	30 – 40	B2
25 – 40	50 – 75	50 – 75	C1
50 – 60	100 – 125	100 – 125	C2
---	150 – 150	150 – 200	D1
---	200 – 300	250 – 500	D2
---	400 – 600	600 – 800	E1

Item 3 – IVS Local Control Panel (LCP) Keypad			
QTY	DESCRIPTION	PART NUMBER	BAR CODE
1	IVS 102 KEYPAD	IVS-KEYPAD	

### Item 4 – IVS Complete Drive

Please contact Armstrong SERVICE department with unit Serial Number for replacement IVS Drive.

### Item 5 – Motor

Please contact Armstrong SERVICE department with unit Serial Number for replacement Motor.

### Item 6 – IVS Rotating Assembly

Please contact Armstrong SERVICE department with unit Serial Number for replacement IVS Rotating Assembly.