



| | |
|-------------|-------------------|
| FILE NO.: | 6036.150 |
| DATE: | November 21, 2006 |
| SUPERSEDES: | New |
| DATE: | New |

PARTS LIST

KNX Hydronic Hook-up Kits

KNX Hydronic Hook-Up Kits - Spare / Replacement Parts

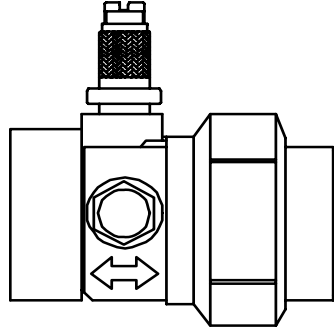
Use this spreadsheet to determine the spare and replacement parts available.

Refer to corresponding submittal for size and connection codes.

For complete, leak tested, sub-assemblies, use ACE (web-based) software to:

1. Enter a project and configure a complete kit that incorporates the exact sub-assembly required.
2. Apply an NCP, requesting pricing on only the sub-assembly required.
3. To order, upload a tag number file and proceed as usual for a complete kit order.

AU - Accessory Union



| Description | Model | Description | Item Number |
|--------------------------------------|------------------|---------------------------------|-------------|
| Union Nut | UN1-U | 1/2" brass union nut | 590020-301 |
| | UN2-U | 3/4" brass union nut | 590020-302 |
| | UN3-U | 1" brass union nut | 590020-303 |
| | UN4-U | 1-1/4" brass union nut | 590020-304 |
| | UN5-U | 1-1/2" brass union nut | 590020-305 |
| | UN6-U | 2" brass union nut | 590020-306 |
| Union O-Ring | OR1-U | 1/2" EPDM union o-ring | 590080-001 |
| | OR2-U | 3/4" EPDM union o-ring | 590080-002 |
| | OR3-U | 1" EPDM union o-ring | 590080-003 |
| | OR4-U | 1-1/4" EPDM union o-ring | 590080-004 |
| | OR5-U | 1-1/2" EPDM union o-ring | 590080-005 |
| | OR6-U | 2" EPDM union o-ring | 590080-006 |
| 1/4" Option (choose 2 / body) | P0 | 1/4" brass plug | 590130-001 |
| | PT (each) | PT Port - each | 570148-003 |
| | PT (25 pack) | PT Port - 25 pack | 570148-004 |
| | DV0-M | 1/4" Drain Valve, hose bib, cap | 590090-000 |
| | MV | 1/4" Manual Air Vent | 590150-002 |
| | AV | AVA-025 Automatic Air Vent | 272005-301 |
| 1/4" Option Extension (2 / body max) | EX 175 (each) | 1.75" extension (each) | 570148-300 |
| | EX 175 (25 pack) | 1.75" extension (25 pack) | 570148-200 |
| | EX 275 (each) | 2.75" extension (each) | 570148-300 |
| | EX 275 (25 pack) | 2.75" extension (25 pack) | 570148-201 |

KNX Hydronic Hook-Up Kits - Spare / Replacement Parts

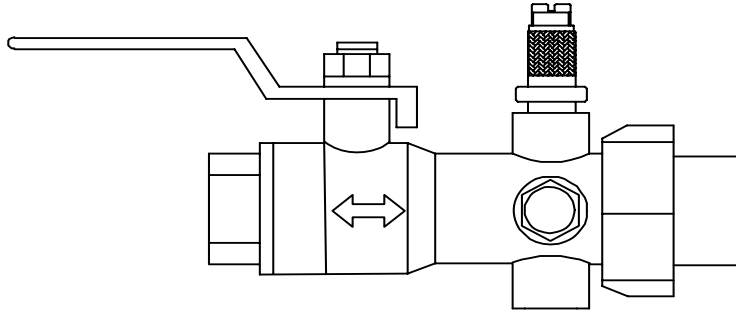
Use this spreadsheet to determine the spare and replacement parts available.

Refer to corresponding submittal for size and connection codes.

For complete, leak tested, sub-assemblies, use ACE (web-based) software to:

1. Enter a project and configure a complete kit that incorporates the exact sub-assembly required.
2. Apply an NCP, requesting pricing on only the sub-assembly required.
3. To order, upload a tag number file and proceed as usual for a complete kit order.

UV - Union Valve



| Description | Model | Description | Item Number |
|--------------------------------------|------------------|---------------------------------|-------------|
| Union Nut | UN1-U | 1/2" brass union nut | 590020-301 |
| | UN2-U | 3/4" brass union nut | 590020-302 |
| | UN3-U | 1" brass union nut | 590020-303 |
| | UN4-U | 1-1/4" brass union nut | 590020-304 |
| | UN5-U | 1-1/2" brass union nut | 590020-305 |
| | UN6-U | 2" brass union nut | 590020-306 |
| Union O-Ring | OR1-U | 1/2" EPDM union o-ring | 590080-001 |
| | OR2-U | 3/4" EPDM union o-ring | 590080-002 |
| | OR3-U | 1" EPDM union o-ring | 590080-003 |
| | OR4-U | 1-1/4" EPDM union o-ring | 590080-004 |
| | OR5-U | 1-1/2" EPDM union o-ring | 590080-005 |
| | OR6-U | 2" EPDM union o-ring | 590080-006 |
| 1/4" Option (choose 3 / body) | P0 | 1/4" brass plug | 590130-001 |
| | PT (each) | PT Port - each | 570148-003 |
| | PT (25 pack) | PT Port - 25 pack | 570148-004 |
| | DV0-M | 1/4" Drain Valve, hose bib, cap | 590090-000 |
| | MV | 1/4" Manual Air Vent | 590150-002 |
| | AV | AVA-025 Automatic Air Vent | 272005-301 |
| 1/4" Option Extension (3 / body max) | EX 175 (each) | 1.75" extension (each) | 570148-300 |
| | EX 175 (25 pack) | 1.75" extension (25 pack) | 570148-200 |
| | EX 275 (each) | 2.75" extension (each) | 570148-300 |
| | EX 275 (25 pack) | 2.75" extension (25 pack) | 570148-201 |
| Lever Style Handle Extension | HX1 | 1/2" lever handle extension | 590070-001 |
| | HX2 | 3/4" lever handle extension | 590070-002 |
| | HX3 | 1" lever handle extension | 590070-003 |
| | HX4 | 1-1/4" lever handle extension | 590070-004 |
| | HX5 | 1-1/2" lever handle extension | 590070-005 |
| | HX6 | 2" lever handle extension | 590070-006 |

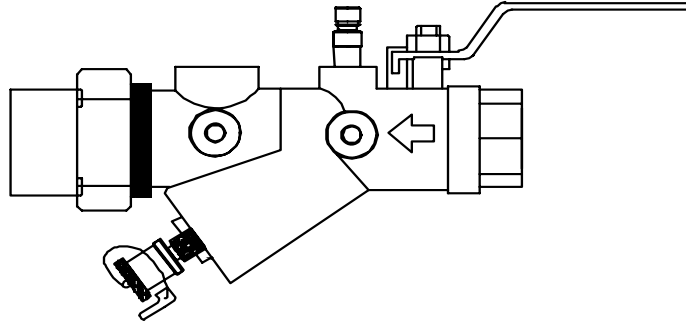
KNX Hydronic Hook-Up Kits - Spare / Replacement Parts

Use this spreadsheet to determine the spare and replacement parts available.
Refer to corresponding submittal for size and connection codes.

For complete, leak tested, sub-assemblies, use ACE (web-based) software to:

1. Enter a project and configure a complete kit that incorporates the exact sub-assembly required.
2. Apply an NCP, requesting pricing on only the sub-assembly required.
3. To order, upload a tag number file and proceed as usual for a complete kit order.

SV - Strainer Valve



| Description | Model | Description | Item Number |
|--------------------------------------|------------------|---------------------------------|-------------|
| Union Nut | UN1-U | 1/2" brass union nut | 590020-301 |
| | UN2-U | 3/4" brass union nut | 590020-302 |
| | UN3-U | 1" brass union nut | 590020-303 |
| | UN4-U | 1-1/4" brass union nut | 590020-304 |
| | UN5-U | 1-1/2" brass union nut | 590020-305 |
| | UN6-U | 2" brass union nut | 590020-306 |
| Union O-Ring | OR1-U | 1/2" EPDM union o-ring | 590080-001 |
| | OR2-U | 3/4" EPDM union o-ring | 590080-002 |
| | OR3-U | 1" EPDM union o-ring | 590080-003 |
| | OR4-U | 1-1/4" EPDM union o-ring | 590080-004 |
| | OR5-U | 1-1/2" EPDM union o-ring | 590080-005 |
| | OR6-U | 2" EPDM union o-ring | 590080-006 |
| Bypass Port Plugs | P1 | 1/2" brass plug | 590130-002 |
| | P2 | 3/4" brass plug | 590130-008 |
| | P3 | 1" brass plug | 590130-009 |
| 1/4" Option (choose 4 / body) | P0 | 1/4" brass plug | 590130-001 |
| | PT (each) | PT Port - each | 570148-003 |
| | PT (25 pack) | PT Port - 25 pack | 570148-004 |
| | DV0-M | 1/4" Drain Valve, hose bib, cap | 590090-000 |
| | MV | 1/4" Manual Air Vent | 590150-002 |
| | AV | AVA-025 Automatic Air Vent | 272005-301 |
| 1/4" Option Extension (4 / body max) | EX 175 (each) | 1.75" extension (each) | 570148-300 |
| | EX 175 (25 pack) | 1.75" extension (25 pack) | 570148-200 |
| | EX 275 (each) | 2.75" extension (each) | 570148-300 |
| | EX 275 (25 pack) | 2.75" extension (25 pack) | 570148-201 |
| Lever Style Handle Extension | HX1 | 1/2" lever handle extension | 590070-001 |
| | HX2 | 3/4" lever handle extension | 590070-002 |
| | HX3 | 1" lever handle extension | 590070-003 |
| | HX4 | 1-1/4" lever handle extension | 590070-004 |
| | HX5 | 1-1/2" lever handle extension | 590070-005 |
| | HX6 | 2" lever handle extension | 590070-006 |

KNX Hydronic Hook-Up Kits - Spare / Replacement Parts

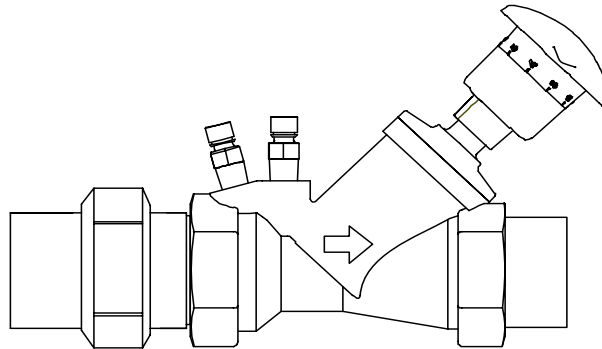
Use this spreadsheet to determine the spare and replacement parts available.

Refer to corresponding submittal for size and connection codes.

For complete, leak tested, sub-assemblies, use ACE (web-based) software to:

1. Enter a project and configure a complete kit that incorporates the exact sub-assembly required.
2. Apply an NCP, requesting pricing on only the sub-assembly required.
3. To order, upload a tag number file and proceed as usual for a complete kit order.

CU - CBV - Union Adapter



| Description | Model | Description | Item Number |
|---------------------------------------|---------------------------|-------------------------------------|-------------|
| CBV Body | CBV050VT-LF | ARMflo 1/2" NPT CBV - Low Flow | 571109-360 |
| | CBV075VT-LF | ARMflo 3/4" NPT CBV - Low Flow | 571109-361 |
| | CBV050VT | ARMflo 1/2" NPT CBV | 571109-340 |
| | CBV075VT | ARMflo 3/4" NPT CBV | 571109-341 |
| | CBV100VT | ARMflo 1" NPT CBV | 571109-342 |
| | CBV125VT | ARMflo 1-1/4" NPT CBV | 571109-343 |
| | CBV150VT | ARMflo 1-1/2" NPT CBV | 571109-344 |
| | CBV200VT | ARMflo 2" NPT CBV | 571109-345 |
| Union Adapter (UA) body | UA1-M | 1/2" union adapter | 590020-401 |
| | UA2-M | 3/4" union adapter | 590020-402 |
| | UA3-M | 1" union adapter | 590020-403 |
| | UA4-M | 1-1/4" union adapter | 590020-404 |
| | UA5-M | 1-1/2" union adapter | 590020-405 |
| | UA6-M | 2" union adapter | 590020-406 |
| Sweat Adapter (1 / CBV body - outlet) | SA1-M | 1/2" male by 1/2" sweat adapter | 590040-101 |
| | SA2-M | 3/4" male by 3/4" sweat adapter | 590040-102 |
| | SA3-M | 1" male by 1" sweat adapter | 590040-103 |
| | SA4-M | 1-1/4" male by 1-1/4" sweat adapter | 590040-104 |
| | SA5-M | 1-1/2" male by 1-1/2" sweat adapter | 590040-105 |
| | SA6-M | 2" male by 2" sweat adapter | 590040-106 |
| Union Nut | UN1-U | 1/2" brass union nut | 590020-301 |
| | UN2-U | 3/4" brass union nut | 590020-302 |
| | UN3-U | 1" brass union nut | 590020-303 |
| | UN4-U | 1-1/4" brass union nut | 590020-304 |
| | UN5-U | 1-1/2" brass union nut | 590020-305 |
| | UN6-U | 2" brass union nut | 590020-306 |
| Union O-Ring | OR1-U | 1/2" EPDM union o-ring | 590080-001 |
| | OR2-U | 3/4" EPDM union o-ring | 590080-002 |
| | OR3-U | 1" EPDM union o-ring | 590080-003 |
| | OR4-U | 1-1/4" EPDM union o-ring | 590080-004 |
| | OR5-U | 1-1/2" EPDM union o-ring | 590080-005 |
| | OR6-U | 2" EPDM union o-ring | 590080-006 |
| 1/4" PT Port (2 / body) | PT (each) | PT Port - each | 570148-003 |
| | PT (25 pack) | PT Port - 25 pack | 570148-004 |
| 1/4" PT Port Extension (2 / body) | 1.75" extension (each) | 1.75" extension (each) | 570148-300 |
| | 1.75" extension (25 pack) | 1.75" extension (25 pack) | 570148-200 |
| | 2.75" extension (each) | 2.75" extension (each) | 570148-300 |
| | 2.75" extension (25 pack) | 2.75" extension (25 pack) | 570148-201 |

KNX Hydronic Hook-Up Kits - Spare / Replacement Parts

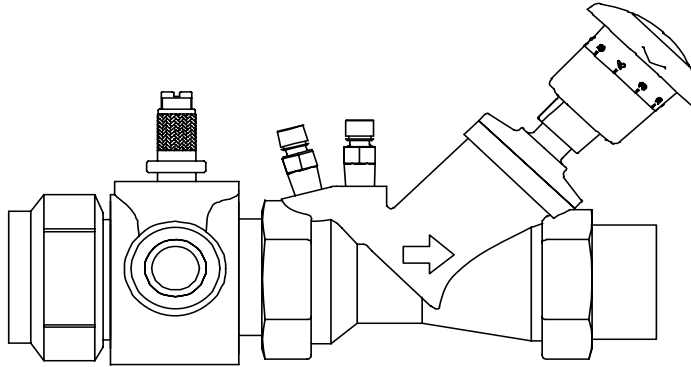
Use this spreadsheet to determine the spare and replacement parts available.

Refer to corresponding submittal for size and connection codes.

For complete, leak tested, sub-assemblies, use ACE (web-based) software to:

1. Enter a project and configure a complete kit that incorporates the exact sub-assembly required.
2. Apply an NCP, requesting pricing on only the sub-assembly required.
3. To order, upload a tag number file and proceed as usual for a complete kit order.

CA - CBV - Union Accessory



| Description | Model | Description | Item Number |
|---------------------------------------|-------------|-------------------------------------|-------------|
| CBV Body | CBV050VT-LF | ARMflo 1/2" NPT CBV - Low Flow | 571109-360 |
| | CBV075VT-LF | ARMflo 3/4" NPT CBV - Low Flow | 571109-361 |
| | CBV050VT-SF | ARMflo 1/2" NPT CBV | 571109-340 |
| | CBV075VT-SF | ARMflo 3/4" NPT CBV | 571109-341 |
| | CBV100VT-SF | ARMflo 1" NPT CBV | 571109-342 |
| | CBV125VT-SF | ARMflo 1-1/4" NPT CBV | 571109-343 |
| | CBV150VT-SF | ARMflo 1-1/2" NPT CBV | 571109-344 |
| | CBV200VT-SF | ARMflo 2" NPT CBV | 571109-345 |
| Accessory Union (AU) Body | AU1-M | 1/2" Accessory Union body | 590020-101 |
| | AU2-M | 3/4" Accessory Union body | 590020-102 |
| | AU3-M | 1" Accessory Union body | 590020-103 |
| | AU4-M | 1-1/4" Accessory Union body | 590020-104 |
| | AU5-M | 1-1/2" Accessory Union body | 590020-105 |
| | AU6-M | 2" Accessory Union body | 590020-106 |
| Sweat Adapter (1 / CBV body - outlet) | SA1-M | 1/2" male by 1/2" sweat adapter | 590040-101 |
| | SA2-M | 3/4" male by 3/4" sweat adapter | 590040-102 |
| | SA3-M | 1" male by 1" sweat adapter | 590040-103 |
| | SA4-M | 1-1/4" male by 1-1/4" sweat adapter | 590040-104 |
| | SA5-M | 1-1/2" male by 1-1/2" sweat adapter | 590040-105 |
| | SA6-M | 2" male by 2" sweat adapter | 590040-106 |
| Union Nut | UN1-U | 1/2" brass union nut | 590020-301 |
| | UN2-U | 3/4" brass union nut | 590020-302 |
| | UN3-U | 1" brass union nut | 590020-303 |
| | UN4-U | 1-1/4" brass union nut | 590020-304 |
| | UN5-U | 1-1/2" brass union nut | 590020-305 |
| | UN6-U | 2" brass union nut | 590020-306 |
| Union O-Ring | OR1-U | 1/2" EPDM union o-ring | 590080-001 |
| | OR2-U | 3/4" EPDM union o-ring | 590080-002 |
| | OR3-U | 1" EPDM union o-ring | 590080-003 |
| | OR4-U | 1-1/4" EPDM union o-ring | 590080-004 |
| | OR5-U | 1-1/2" EPDM union o-ring | 590080-005 |
| | OR6-U | 2" EPDM union o-ring | 590080-006 |
| 1/4" Option (choose 2 / AU body) | P0 | 1/4" brass plug | 590130-001 |
| | PT (each) | PT Port - each | 570148-003 |

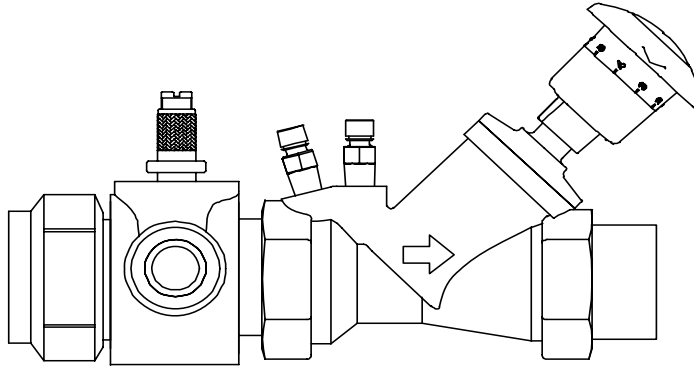
KNX Hydronic Hook-Up Kits - Spare / Replacement Parts

Use this spreadsheet to determine the spare and replacement parts available.
Refer to corresponding submittal for size and connection codes.

For complete, leak tested, sub-assemblies, use ACE (web-based) software to:

1. Enter a project and configure a complete kit that incorporates the exact sub-assembly required.
2. Apply an NCP, requesting pricing on only the sub-assembly required.
3. To order, upload a tag number file and proceed as usual for a complete kit order.

CA - CBV - Union Accessory

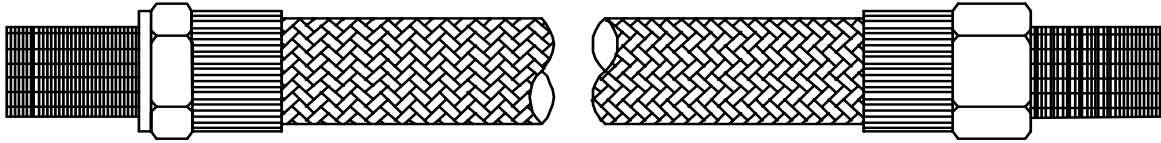


| Description | Model | Description | Item Number |
|--------------------------------------|------------------|---------------------------------|-------------|
| | PT (25 pack) | PT Port - 25 pack | 570148-004 |
| | DV0-M | 1/4" Drain Valve, hose bib, cap | 590090-000 |
| | MV | 1/4" Manual Air Vent | 590150-002 |
| | AV | AVA-025 Automatic Air Vent | 272005-301 |
| 1/4" Option Extension (4 / unit max) | EX 175 (each) | 1.75" extension (each) | 570148-300 |
| | EX 175 (25 pack) | 1.75" extension (25 pack) | 570148-200 |
| | EX 275 (each) | 2.75" extension (each) | 570148-300 |
| | EX 275 (25 pack) | 2.75" extension (25 pack) | 570148-201 |

KNX Hydronic Hook-Up Kits - Spare / Replacement Parts

Use this spreadsheet to determine the spare and replacement parts available.
Refer to corresponding submittal for size and connection codes.

SS - Flex Hoses



| Description | Model | Description | Item Number |
|----------------------------------|--------|--------------------------------------|-------------|
| Stainless Steel Flex Hose (each) | SS1-24 | 1/2" stainless flex hose - 24 inch | 590110-001 |
| | SS2-24 | 3/4" stainless flex hose - 24 inch | 590110-002 |
| | SS3-24 | 1" stainless flex hose - 24 inch | 590110-003 |
| | SS4-24 | 1-1/4" stainless flex hose - 24 inch | 590110-004 |
| | SS5-24 | 1-1/2" stainless flex hose - 24 inch | 590110-005 |
| | SS6-24 | 2" stainless flex hose - 24 inch | 590110-006 |
| | SS1-36 | 1/2" stainless flex hose - 36 inch | 590120-001 |
| | SS2-36 | 3/4" stainless flex hose - 36 inch | 590120-002 |
| | SS3-36 | 1" stainless flex hose - 36 inch | 590120-003 |
| | SS4-36 | 1-1/4" stainless flex hose - 36 inch | 590120-004 |
| | SS5-36 | 1-1/2" stainless flex hose - 36 inch | 590120-005 |
| | SS6-36 | 2" stainless flex hose - 36 inch | 590120-006 |

KNX Hydronic Hook-Up Kits - Spare / Replacement Parts

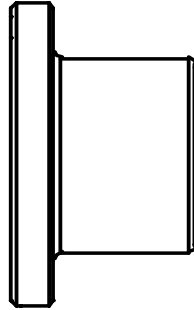
Use this spreadsheet to determine the spare and replacement parts available.

Refer to corresponding submittal for size and connection codes.

For complete, leak tested, sub-assemblies, use ACE (web-based) software to:

1. Enter a project and configure a complete kit that incorporates the exact sub-assembly required.
2. Apply an NCP, requesting pricing on only the sub-assembly required.
3. To order, upload a tag number file and proceed as usual for a complete kit order.

T - Tailpiece



| Description | Model | Description | Item Number |
|-----------------|-------|----------------------------------|-------------|
| Union Tailpiece | T1S2 | 1/2" tailpiece x sweat 3/4" | 590060-501 |
| | T1S0 | 1/2" tailpiece x sweat 3/8" | 590060-500 |
| | T1F1 | 1/2" tailpiece x female 1/2" | 590060-001 |
| | T1M1 | 1/2" tailpiece x male 1/2" | 590060-101 |
| | T1S1 | 1/2" tailpiece x sweat 1/2" | 590060-201 |
| | T2F1 | 3/4" tailpiece x female 1/2" | 590060-303 |
| | T2M1 | 3/4" tailpiece x male 1/2" | 590060-403 |
| | T2S1 | 3/4" tailpiece x sweat 1/2" | 590060-503 |
| | T2S0 | 3/4" tailpiece x sweat 3/8" | 590060-502 |
| | T2F2 | 3/4" tailpiece x female 3/4" | 590060-002 |
| | T2M2 | 3/4" tailpiece x male 3/4" | 590060-102 |
| | T2S2 | 3/4" tailpiece x sweat 3/4" | 590060-202 |
| | T3F1 | 1" tailpiece x female 1/2" | 590060-304 |
| | T3M1 | 1" tailpiece x male 1/2" | 590060-404 |
| | T3S1 | 1" tailpiece x sweat 1/2" | 590060-504 |
| | T3F2 | 1" tailpiece x female 3/4" | 590060-305 |
| | T3M2 | 1" tailpiece x male 3/4" | 590060-405 |
| | T3S2 | 1" tailpiece x sweat 3/4" | 590060-505 |
| | T3F3 | 1" tailpiece x female 1" | 590060-003 |
| | T3M3 | 1" tailpiece x male 1" | 590060-103 |
| | T3S3 | 1" tailpiece x sweat 1" | 590060-203 |
| | T4M1 | 1-1/4" tailpiece x male 1/2" | 590060-406 |
| | T4F2 | 1-1/4" tailpiece x female 3/4" | 590060-307 |
| | T4M2 | 1-1/4" tailpiece x male 3/4" | 590060-407 |
| | T4S2 | 1-1/4" tailpiece x sweat 3/4" | 590060-507 |
| | T4F3 | 1-1/4" tailpiece x female 1" | 590060-308 |
| | T4M3 | 1-1/4" tailpiece x male 1" | 590060-408 |
| | T4S3 | 1-1/4" tailpiece x sweat 1" | 590060-508 |
| | T4F4 | 1-1/4" tailpiece x female 1-1/4" | 590060-004 |
| | T4M4 | 1-1/4" tailpiece x male 1-1/4" | 590060-104 |
| | T4S4 | 1-1/4" tailpiece x sweat 1-1/4" | 590060-204 |
| | T5M2 | 1-1/2" tailpiece x male 3/4" | 590060-409 |
| | T5F3 | 1-1/2" tailpiece x female 1" | 590060-310 |
| | T5M3 | 1-1/2" tailpiece x male 1" | 590060-410 |
| | T5S3 | 1-1/2" tailpiece x sweat 1" | 590060-510 |
| | T5F4 | 1-1/2" tailpiece x female 1-1/4" | 590060-311 |

KNX Hydronic Hook-Up Kits - Spare / Replacement Parts

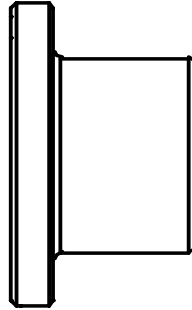
Use this spreadsheet to determine the spare and replacement parts available.

Refer to corresponding submittal for size and connection codes.

For complete, leak tested, sub-assemblies, use ACE (web-based) software to:

1. Enter a project and configure a complete kit that incorporates the exact sub-assembly required.
2. Apply an NCP, requesting pricing on only the sub-assembly required.
3. To order, upload a tag number file and proceed as usual for a complete kit order.

T - Tailpiece



| Description | Model | Description | Item Number |
|-------------|-------|----------------------------------|-------------|
| | T5M4 | 1-1/2" tailpiece x male 1-1/4" | 590060-411 |
| | T5S4 | 1-1/2" tailpiece x sweat 1-1/4" | 590060-511 |
| | T5F5 | 1-1/2" tailpiece x female 1-1/2" | 590060-005 |
| | T5M5 | 1-1/2" tailpiece x male 1-1/2" | 590060-105 |
| | T5S5 | 1-1/2" tailpiece x sweat 1-1/2" | 590060-205 |
| | T6M3 | 2" tailpiece x male 1" | 590060-412 |
| | T6F4 | 2" tailpiece x female 1-1/4" | 590060-313 |
| | T6M4 | 2" tailpiece x male 1-1/4" | 590060-413 |
| | T6S4 | 2" tailpiece x sweat 1-1/4" | 590060-513 |
| | T6F5 | 2" tailpiece x female 1-1/2" | 590060-314 |
| | T6M5 | 2" tailpiece x male 1-1/2" | 590060-414 |
| | T6S5 | 2" tailpiece x sweat 1-1/2" | 590060-514 |
| | T6F6 | 2" tailpiece x female 2" | 590060-006 |
| | T6M6 | 2" tailpiece x male 2" | 590060-106 |
| | T6S6 | 2" tailpiece x sweat 2" | 590060-206 |