

PARTS LIST

---

# SUCTION GUIDES

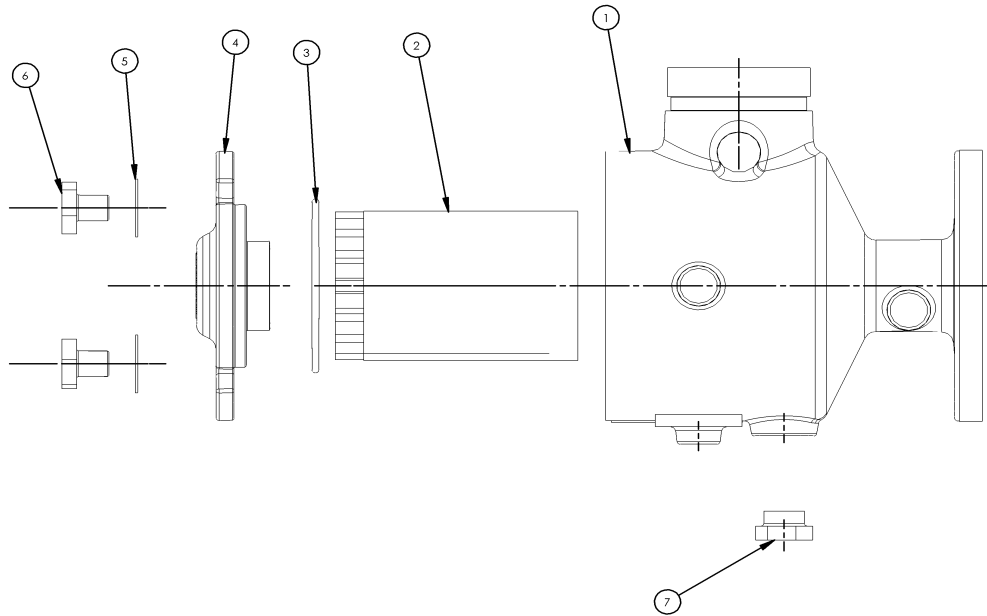
MODEL SGG

GROOVED DESIGN



# SUCTION GUIDE PARTS

## MODEL NUMBER SGG-22



ITEM NO.	PART DESCRIPTION	PART NUMBER	ARMSTRONG BAR CODE
1	BODY	546840-211	
2	STRAINER ASSEMBLY	516896-000	
3	O-RING - edpm,3.359I.D.x.139cs	AS1270-237	
4	COVER	516885-231	
5	WASHER - stl 1/2" plain (SAE)	927117-100	
6	HEX HEAD CAP SCREW - 1/2"-13 x7/8"	911125-107	
7	PIPE PLUG - 1/2" npt sq hd	939021-203	

### NOTES:

SUPPORT PIPE NOT FURNISHED USE UNTHREADED STEEL PIPE

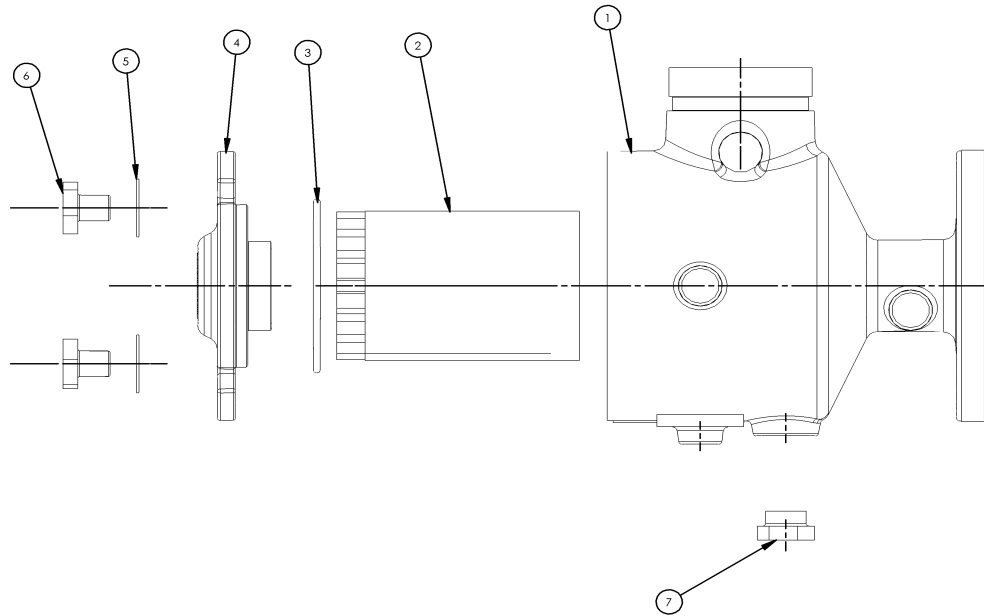
**START-UP STRAINER MUST BE REMOVED AFTER A SHORT RUNNING PERIOD**

STRAINER ASSEMBLY INCLUDES PERMANENT AND START-UP STRAINER

PERMANENT STRAINER PERFORATION HOLE SIZE --- .125" DIA.

# SUCTION GUIDE PARTS

## MODEL NUMBER SGG-252



ITEM NO.	PART DESCRIPTION	PART NUMBER	ARMSTRONG BAR CODE
1	BODY	546841-211	
2	STRAINER ASSEMBLY	516896-000	
3	O-RING - edpm,3.359I.D.x.139cs	AS1270-237	
4	COVER	516885-231	
5	WASHER - stl 1/2" plain (SAE)	927117-100	
6	HEX HEAD CAP SCREW - 1/2"-13 x7/8"	911125-107	
7	PIPE PLUG - 1/2" npt sq hd	939021-203	

### NOTES:

SUPPORT PIPE NOT FURNISHED USE UNTHREADED STEEL PIPE

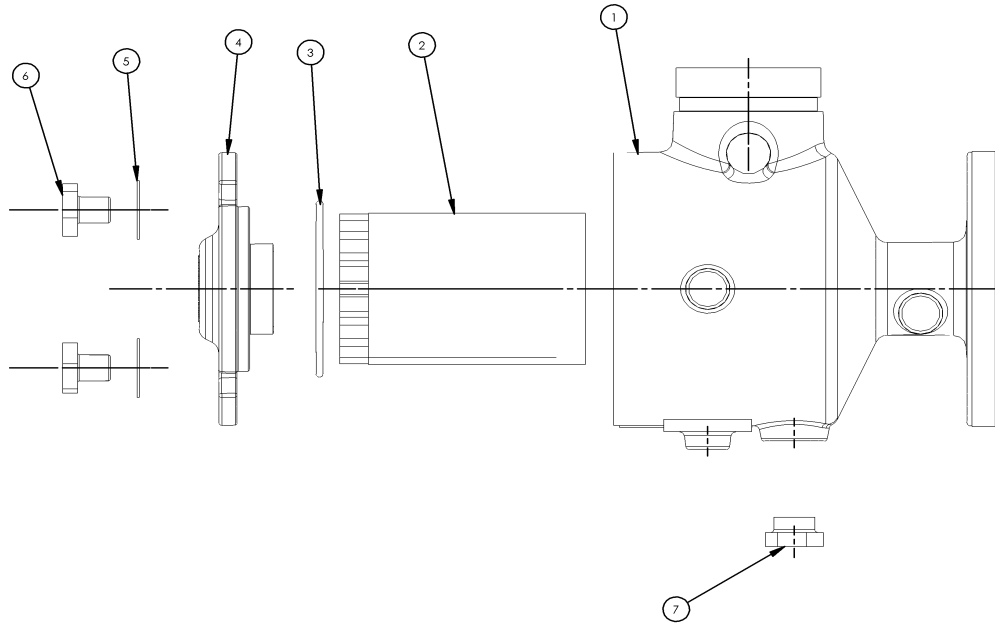
**START-UP STRAINER MUST BE REMOVED AFTER A SHORT RUNNING PERIOD**

STRAINER ASSEMBLY INCLUDES PERMANENT AND START-UP STRAINER

PERMANENT STRAINER PERFORATION HOLE SIZE --- .125" DIA.

# SUCTION GUIDE PARTS

## MODEL NUMBER SGG-32



ITEM NO.	PART DESCRIPTION	PART NUMBER	ARMSTRONG BAR CODE
1	BODY	546842-211	
2	STRAINER ASSEMBLY	516896-000	
3	O-RING - edpm,3.359I.D.x.139cs	AS1270-237	
4	COVER	516885-231	
5	WASHER - stl 1/2" plain (SAE)	927117-100	
6	HEX HEAD CAP SCREW - 1/2"-13 x7/8"	911125-107	
7	PIPE PLUG - 1/2" npt sq hd	939021-203	

### NOTES:

SUPPORT PIPE NOT FURNISHED USE UNTHREADED STEEL PIPE

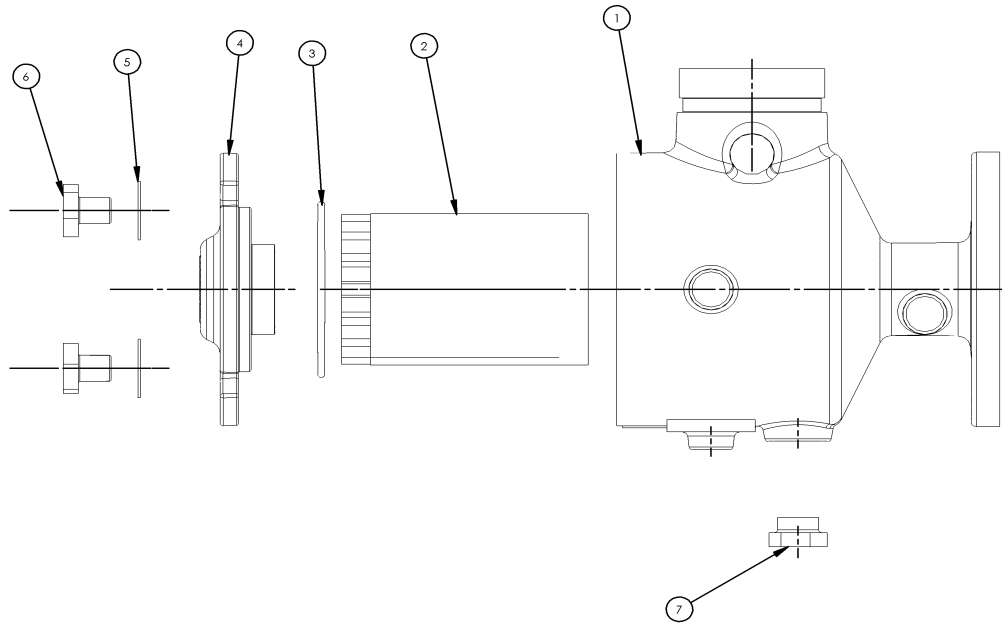
**START-UP STRAINER MUST BE REMOVED AFTER A SHORT RUNNING PERIOD**

STRAINER ASSEMBLY INCLUDES PERMANENT AND START-UP STRAINER

PERMANENT STRAINER PERFORATION HOLE SIZE --- .125" DIA.

# SUCTION GUIDE PARTS

## MODEL NUMBER SGG-2525



ITEM NO.	PART DESCRIPTION	PART NUMBER	ARMSTRONG BAR CODE
1	BODY	546843-211	
2	STRAINER ASSEMBLY	516896-000	
3	O-RING - edpm,3.359I.D.x.139cs	AS1270-237	
4	COVER	516885-231	
5	WASHER - stl 1/2" plain (SAE)	927117-100	
6	HEX HEAD CAP SCREW - 1/2"-13 x7/8"	911125-107	
7	PIPE PLUG - 1/2" npt sq hd	939021-203	

### NOTES:

SUPPORT PIPE NOT FURNISHED USE UNTHREADED STEEL PIPE

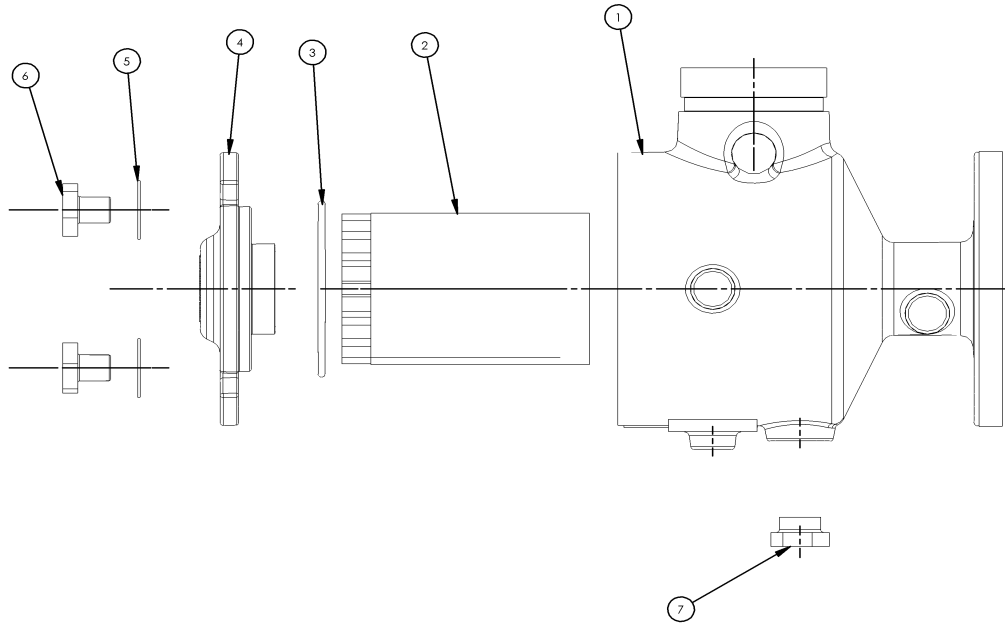
**START-UP STRAINER MUST BE REMOVED AFTER A SHORT RUNNING PERIOD**

STRAINER ASSEMBLY INCLUDES PERMANENT AND START-UP STRAINER

PERMANENT STRAINER PERFORATION HOLE SIZE --- .125" DIA.

# SUCTION GUIDE PARTS

## MODEL NUMBER SGG-325



ITEM NO.	PART DESCRIPTION	PART NUMBER	ARMSTRONG BAR CODE
1	BODY	526844-211	
2	STRAINER ASSEMBLY	516896-000	
3	O-RING - edpm,3.359l.D.x.139cs	AS1270-237	
4	COVER	516885-231	
5	WASHER - stl 1/2" plain (SAE)	927117-100	
6	HEX HEAD CAP SCREW - 1/2"-13 x7/8"	911125-107	
7	PIPE PLUG - 1/2" npt sq hd	939021-203	

### NOTES:

SUPPORT PIPE NOT FURNISHED USE UNTHREADED STEEL PIPE

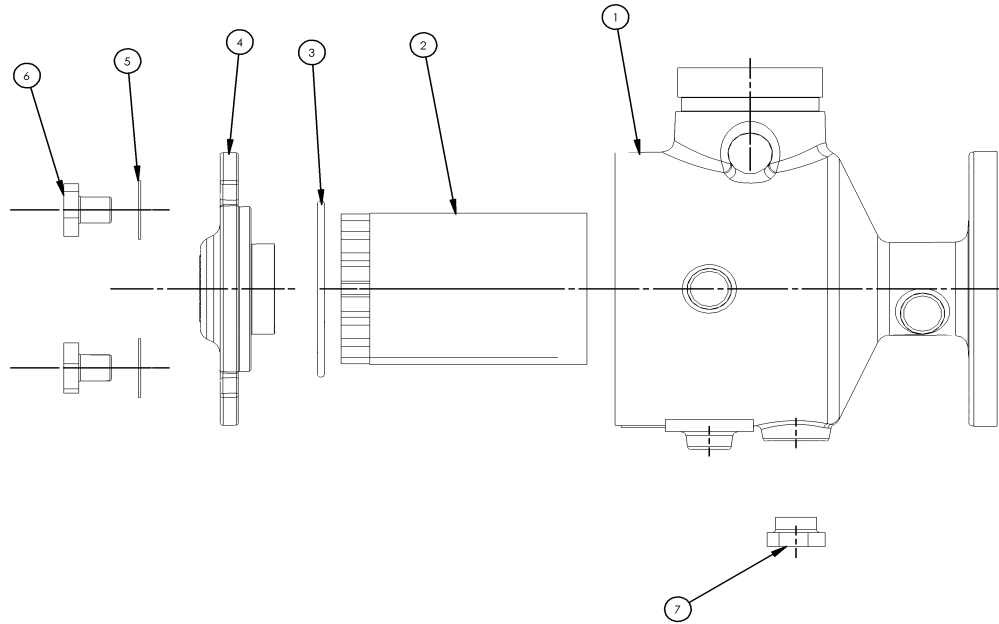
**START-UP STRAINER MUST BE REMOVED AFTER A SHORT RUNNING PERIOD**

STRAINER ASSEMBLY INCLUDES PERMANENT AND START-UP STRAINER

PERMANENT STRAINER PERFORATION HOLE SIZE --- .125" DIA.

# SUCTION GUIDE PARTS

## MODEL NUMBER SGG-33



ITEM NO.	PART DESCRIPTION	PART NUMBER	ARMSTRONG BAR CODE
1	BODY	546845-211	
2	STRAINER ASSEMBLY	516897-000	
3	O-RING - edpm, 4.109I.D.x.139cs	AS1270-243	
4	COVER	516886-231	
5	WASHER - stl 5/8" plain (SAE)	927117-100	
6	HEX HEAD CAP SCREW - 5/8"-11 x1"	911125-109	
7	PIPE PLUG - 3/4" npt sq hd	939021-204	

### NOTES:

SUPPORT PIPE NOT FURNISHED USE UNTHREADED STEEL PIPE

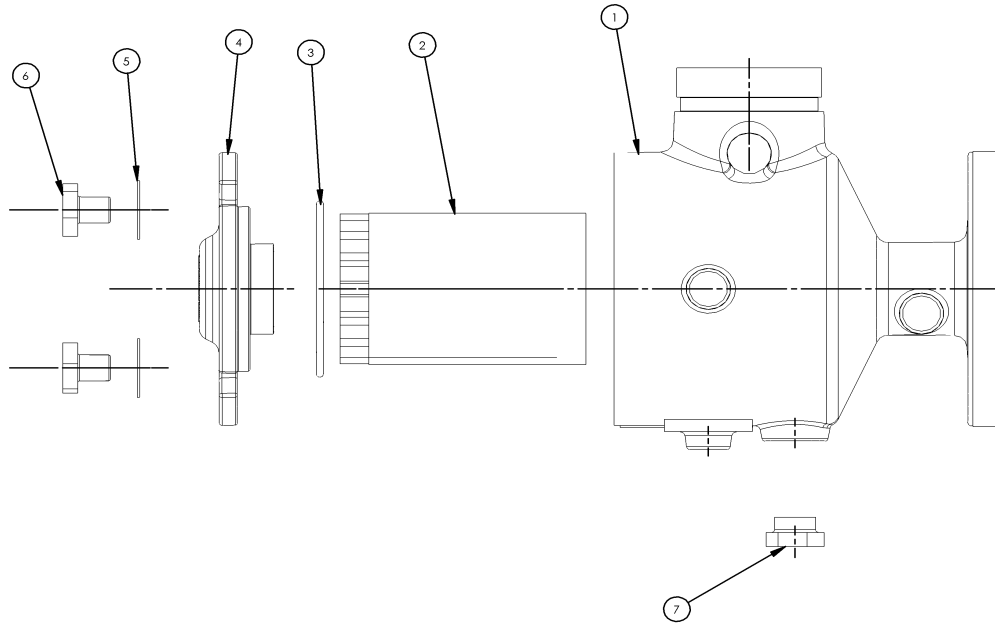
**START-UP STRAINER MUST BE REMOVED AFTER A SHORT RUNNING PERIOD**

STRAINER ASSEMBLY INCLUDES PERMANENT AND START-UP STRAINER

PERMANENT STRAINER PERFORATION HOLE SIZE --- .125" DIA.

# SUCTION GUIDE PARTS

## MODEL NUMBER SGG-43



ITEM NO.	PART DESCRIPTION	PART NUMBER	ARMSTRONG BAR CODE
1	BODY	546846-211	
2	STRAINER ASSEMBLY	516897-000	
3	O-RING - edpm, 4.109I.D.x.139cs	AS1270-243	
4	COVER	516886-231	
5	WASHER - stl 5/8" plain (SAE)	927121-100	
6	HEX HEAD CAP SCREW - 5/8"-11 x1"	911125-109	
7	PIPE PLUG - 3/4" npt sq hd	939021-204	

### NOTES:

SUPPORT PIPE NOT FURNISHED USE UNTHREADED STEEL PIPE

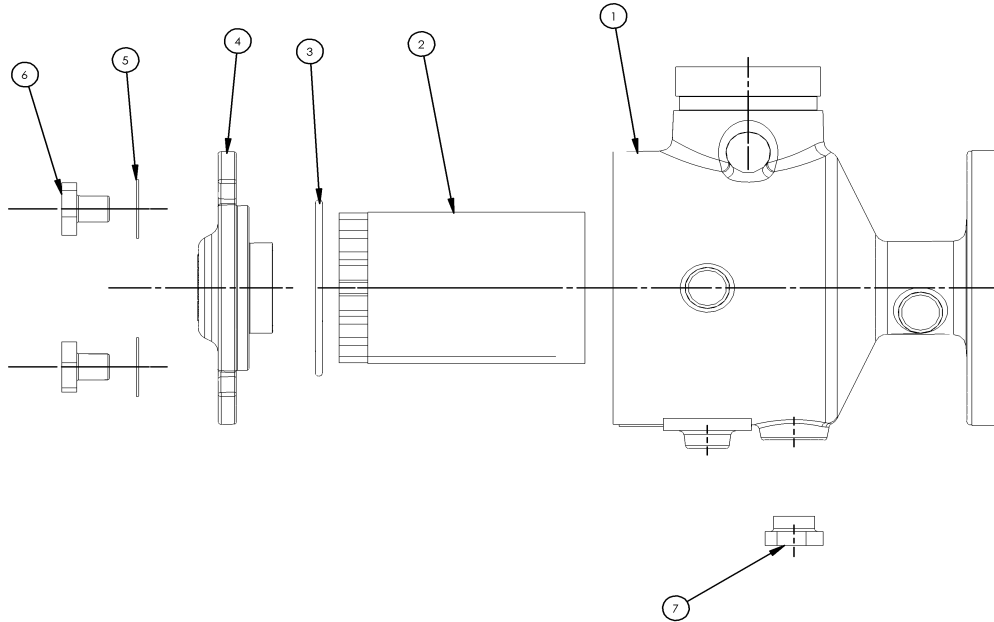
**START-UP STRAINER MUST BE REMOVED AFTER A SHORT RUNNING PERIOD**

STRAINER ASSEMBLY INCLUDES PERMANENT AND START-UP STRAINER

PERMANENT STRAINER PERFORATION HOLE SIZE --- .125" DIA.

# SUCTION GUIDE PARTS

## MODEL NUMBER SGG-44



ITEM NO.	PART DESCRIPTION	PART NUMBER	ARMSTRONG BAR CODE
1	BODY	546847-211	
2	STRAINER ASSEMBLY	516854-000	
3	O-RING - edpm, 4.984I.D.x.139cs	AS1270-250	
4	COVER	516887-231	
5	WASHER - stl 5/8" plain (SAE)	927121-100	
6	HEX HEAD CAP SCREW - 5/8"-11 x 1"	911129-108	
7	PIPE PLUG - 3/4" npt sq hd	939021-204	

### NOTES:

SUPPORT PIPE NOT FURNISHED USE UNTHREADED STEEL PIPE

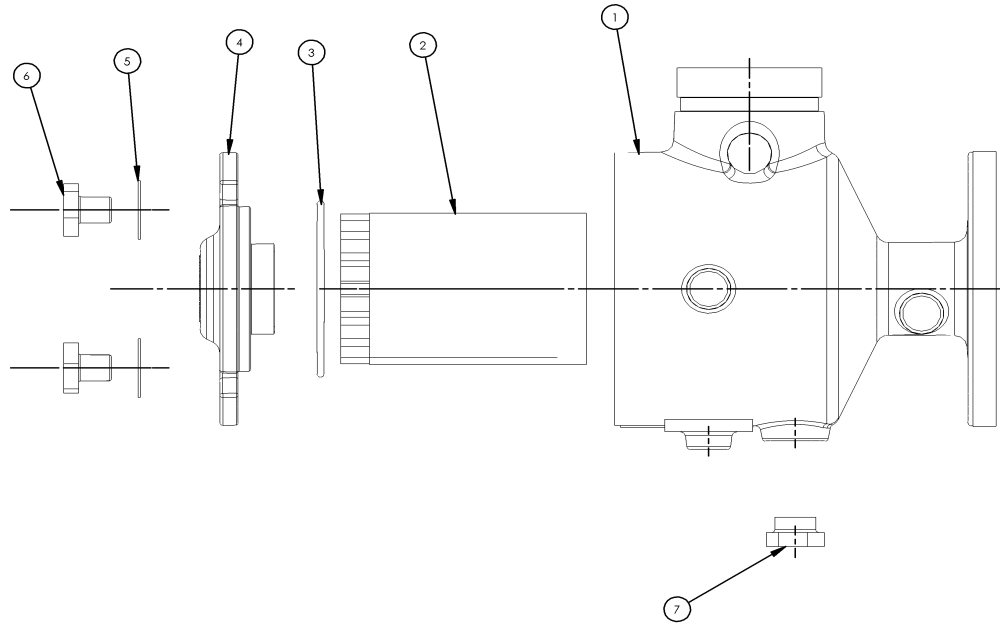
### START-UP STRAINER MUST BE REMOVED AFTER A SHORT RUNNING PERIOD

STRAINER ASSEMBLY INCLUDES PERMANENT AND START-UP STRAINER

PERMANENT STRAINER PERFORATION HOLE SIZE --- .125" DIA.

# SUCTION GUIDE PARTS

## MODEL NUMBER SGG-54



ITEM NO.	PART DESCRIPTION	PART NUMBER	ARMSTRONG BAR CODE
1	BODY	546848-211	
2	STRAINER ASSEMBLY	516854-000	
3	O-RING - edpm, 4.984I.D.x.139cs	AS1270-250	
4	COVER	516887-231	
5	WASHER - stl 5/8" plain (SAE)	927121-100	
6	HEX HEAD CAP SCREW - 5/8"-11 x 1"	911129-108	
7	PIPE PLUG - 3/4" npt sq hd	939021-204	

### NOTES:

SUPPORT PIPE NOT FURNISHED USE UNTHREADED STEEL PIPE

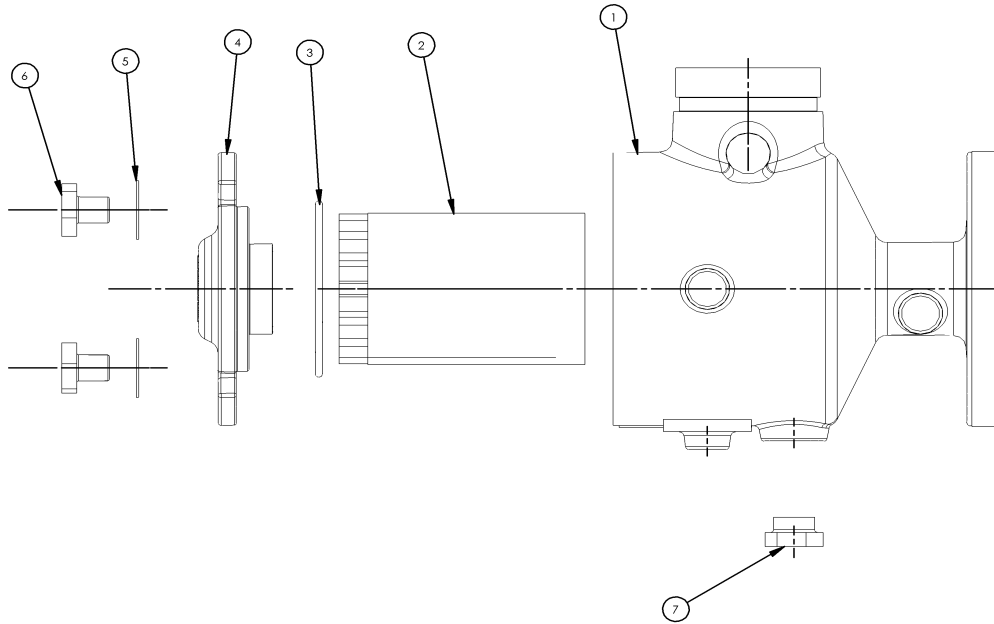
### **START-UP STRAINER MUST BE REMOVED AFTER A SHORT RUNNING PERIOD**

STRAINER ASSEMBLY INCLUDES PERMANENT AND START-UP STRAINER

PERMANENT STRAINER PERFORATION HOLE SIZE --- .125" DIA.

# SUCTION GUIDE PARTS

## MODEL NUMBER SGG-64



ITEM NO.	PART DESCRIPTION	PART NUMBER	ARMSTRONG BAR CODE
1	BODY	546849-211	
2	STRAINER ASSEMBLY	516854-000	
3	O-RING - edpm, 4.984I.D.x.139cs	AS1270-250	
4	COVER	516887-231	
5	WASHER - stl 5/8" plain (SAE)	927121-100	
6	HEX HEAD CAP SCREW - 5/8"-11 x 1"	911129-108	
7	PIPE PLUG - 3/4" npt sq hd	939021-204	

### NOTES:

SUPPORT PIPE NOT FURNISHED USE UNTHREADED STEEL PIPE

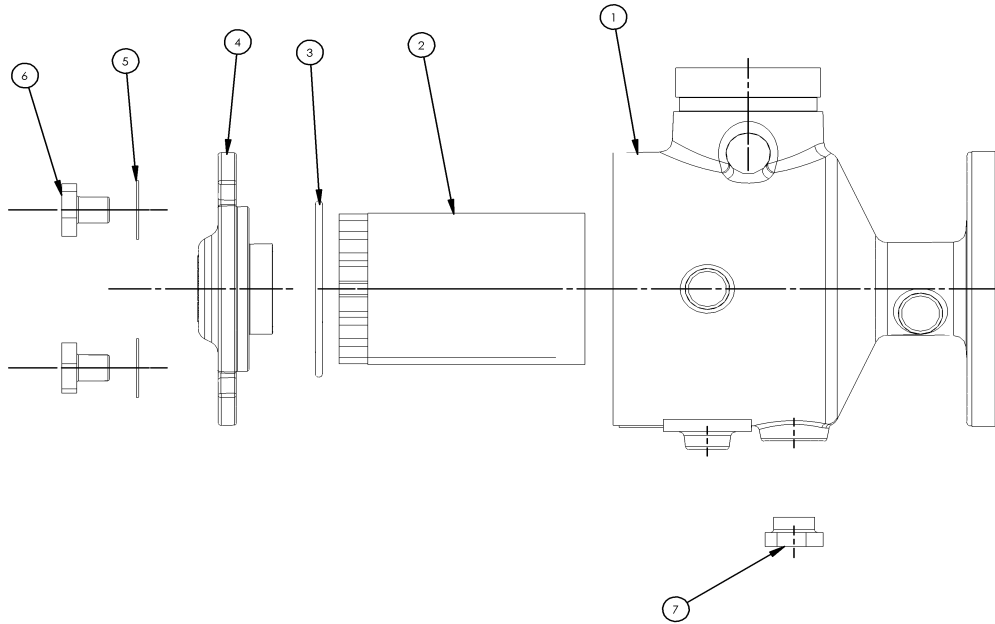
### **START-UP STRAINER MUST BE REMOVED AFTER A SHORT RUNNING PERIOD**

STRAINER ASSEMBLY INCLUDES PERMANENT AND START-UP STRAINER

PERMANENT STRAINER PERFORATION HOLE SIZE --- .125" DIA.

# SUCTION GUIDE PARTS

## MODEL NUMBER SGG-55



ITEM NO.	PART DESCRIPTION	PART NUMBER	ARMSTRONG BAR CODE
1	BODY	546850-211	
2	STRAINER ASSEMBLY	516898-000	
3	O-RING - edpm, 6.234I.D.x.139cs	AS1270-259	
4	COVER	516888-231	
5	WASHER - stl 3/4" plain (SAE)	927123-100	
6	HEX HEAD CAP SCREW - 3/4"-10 x 1.25"	911131-110	
7	PIPE PLUG - 1" npt sq hd	939021-505	

### NOTES:

SUPPORT PIPE NOT FURNISHED USE UNTHREADED STEEL PIPE

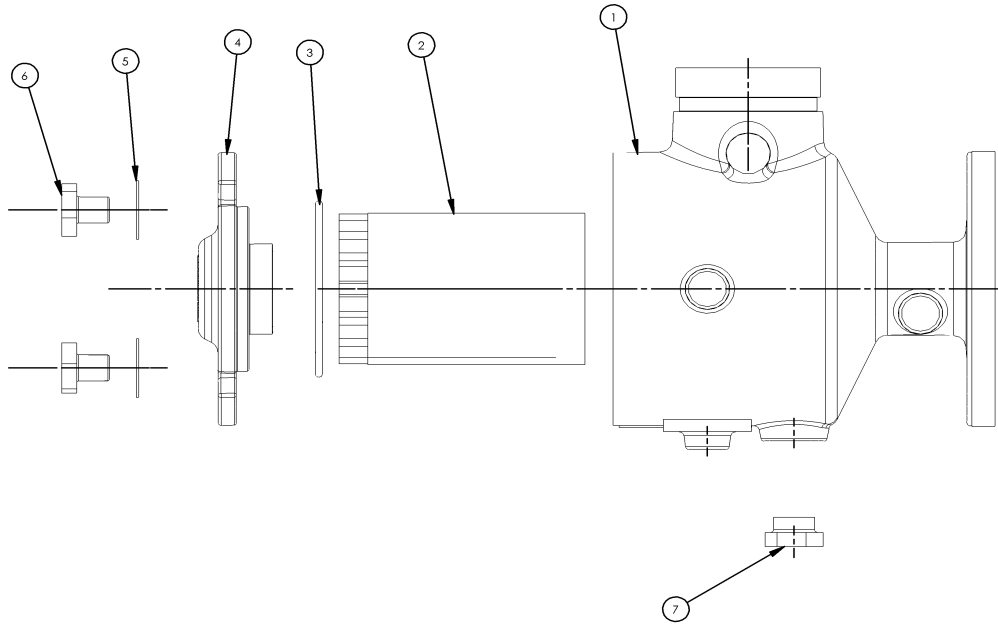
### START-UP STRAINER MUST BE REMOVED AFTER A SHORT RUNNING PERIOD

STRAINER ASSEMBLY INCLUDES PERMANENT AND START-UP STRAINER

PERMANENT STRAINER PERFORATION HOLE SIZE --- .125" DIA.

# SUCTION GUIDE PARTS

## MODEL NUMBER SGG-65



ITEM NO.	PART DESCRIPTION	PART NUMBER	ARMSTRONG BAR CODE
1	BODY	546851-211	
2	STRAINER ASSEMBLY	516898-000	
3	O-RING - edpm, 6.234I.D.x.139cs	AS1270-259	
4	COVER	516888-231	
5	WASHER - stl 3/4" plain (SAE)	927123-100	
6	HEX HEAD CAP SCREW - 3/4"-10 x 1.25"	911131-110	
7	PIPE PLUG - 1" npt sq hd	939021-505	

### NOTES:

SUPPORT PIPE NOT FURNISHED USE UNTHREADED STEEL PIPE

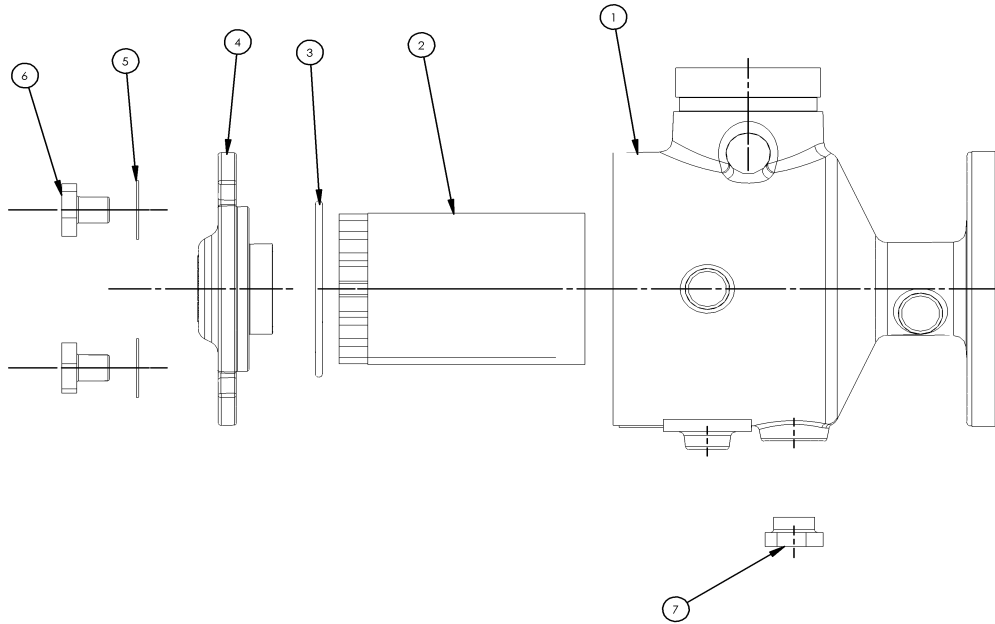
### START-UP STRAINER MUST BE REMOVED AFTER A SHORT RUNNING PERIOD

STRAINER ASSEMBLY INCLUDES PERMANENT AND START-UP STRAINER

PERMANENT STRAINER PERFORATION HOLE SIZE --- .125" DIA.

# SUCTION GUIDE PARTS

## MODEL NUMBER SGG-66



ITEM NO.	PART DESCRIPTION	PART NUMBER	ARMSTRONG BAR CODE
1	BODY	546852-211	
2	STRAINER ASSEMBLY	516899-000	
3	O-RING - edpm, 7.484I.D.x.139cs	AS1270-264	
4	COVER	516889-231	
5	WASHER - stl 3/4" plain (SAE)	927123-100	
6	HEX HEAD CAP SCREW - 3/4"-10 x 1.25"	911131-110	
7	PIPE PLUG - 1" npt sq hd	939021-505	

### NOTES:

SUPPORT PIPE NOT FURNISHED USE UNTHREADED STEEL PIPE

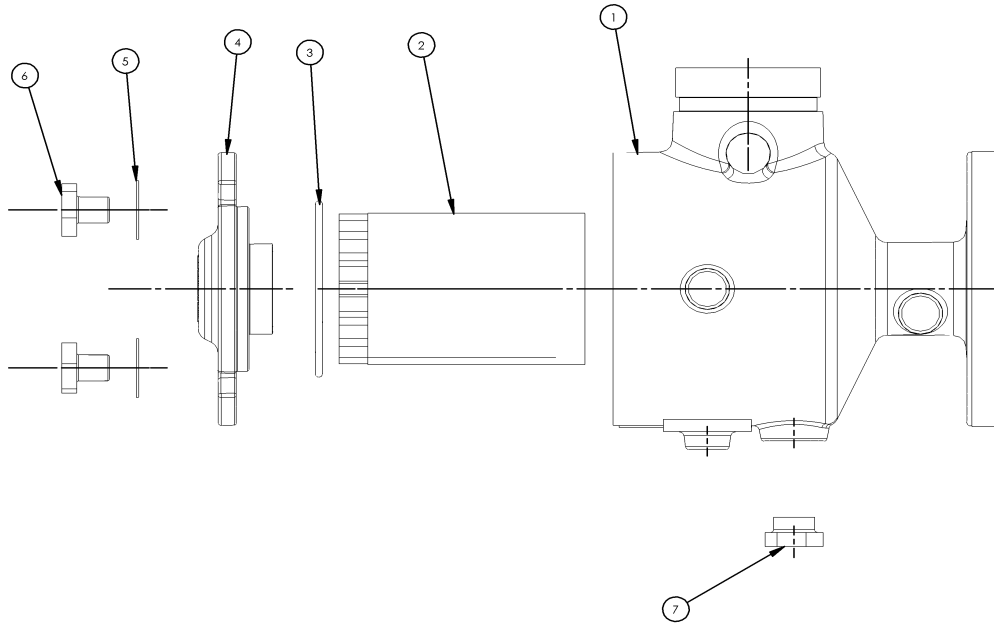
### **START-UP STRAINER MUST BE REMOVED AFTER A SHORT RUNNING PERIOD**

STRAINER ASSEMBLY INCLUDES PERMANENT AND START-UP STRAINER

PERMANENT STRAINER PERFORATION HOLE SIZE --- .125" DIA.

# SUCTION GUIDE PARTS

## MODEL NUMBER SGG-86



ITEM NO.	PART DESCRIPTION	PART NUMBER	ARMSTRONG BAR CODE
1	BODY	546853-211	
2	STRAINER ASSEMBLY	516899-000	
3	O-RING - edpm, 7.484I.D.x.139cs	AS1270-264	
4	COVER	516889-231	
5	WASHER - stl 3/4" plain (SAE)	927123-100	
6	HEX HEAD CAP SCREW - 3/4"-10 x 1.25"	911131-110	
7	PIPE PLUG - 1" npt sq hd	939021-505	

### NOTES:

SUPPORT PIPE NOT FURNISHED USE UNTHREADED STEEL PIPE

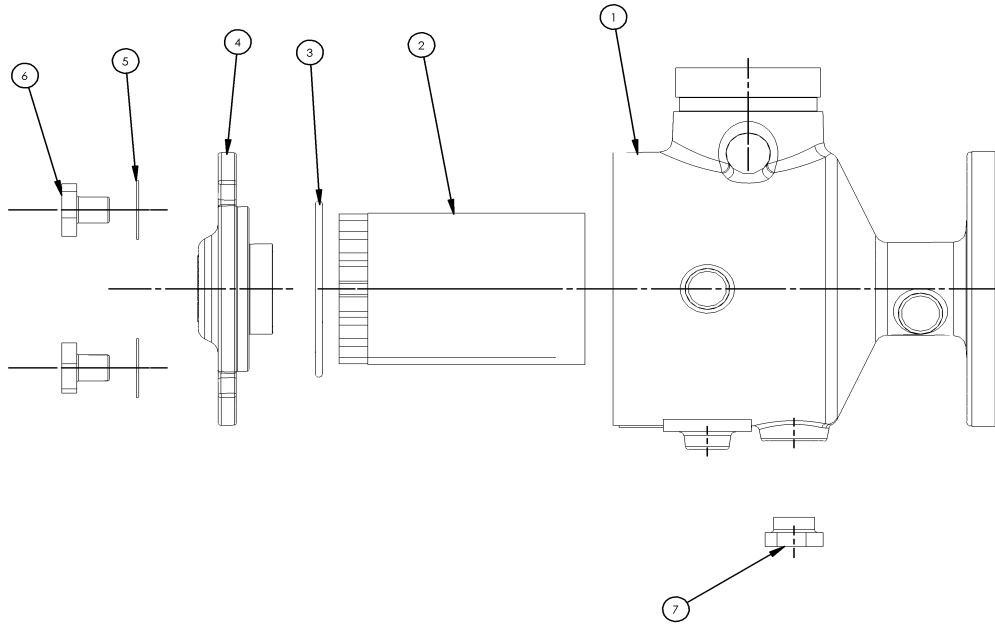
### **START-UP STRAINER MUST BE REMOVED AFTER A SHORT RUNNING PERIOD**

STRAINER ASSEMBLY INCLUDES PERMANENT AND START-UP STRAINER

PERMANENT STRAINER PERFORATION HOLE SIZE --- .125" DIA.

# SUCTION GUIDE PARTS

## MODEL NUMBER SGG-88



ITEM NO.	PART DESCRIPTION	PART NUMBER	ARMSTRONG BAR CODE
1	BODY	546854-211	
2	STRAINER ASSEMBLY	516900-000	
3	O-RING - edpm, 9.475.D.x.210cs	AS1270-375	
4	COVER	516890-231	
5	WASHER - stl 3/4" plain (SAE)	927123-100	
6	HEX HEAD CAP SCREW - 3/4"-10 x 1.75"	911131-114	
7	PIPE PLUG - 1" npt sq hd	939021-505	

### NOTES:

SUPPORT PIPE NOT FURNISHED USE UNTHREADED STEEL PIPE

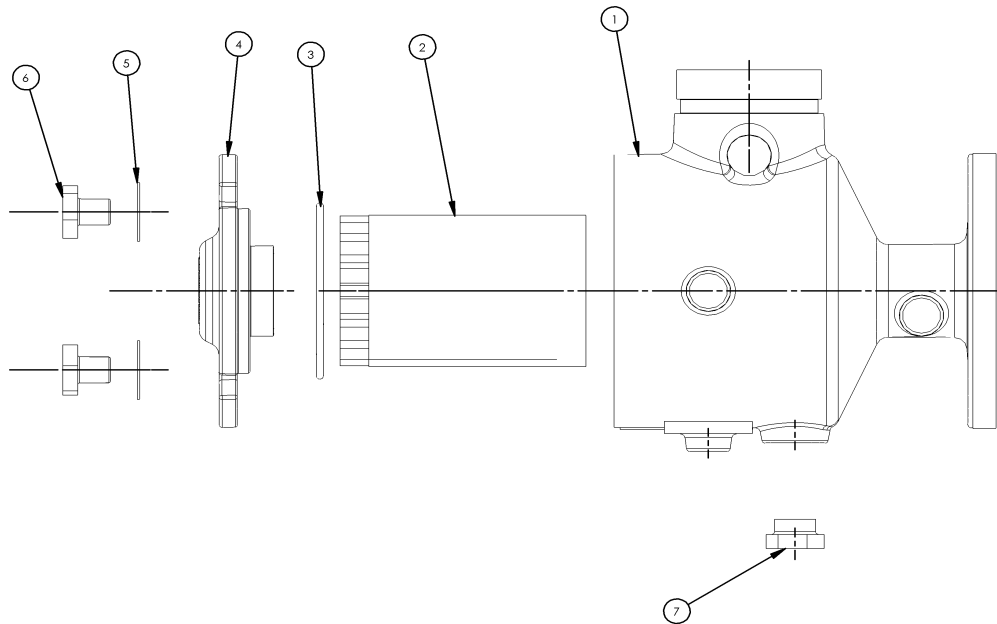
**START-UP STRAINER MUST BE REMOVED AFTER A SHORT RUNNING PERIOD**

STRAINER ASSEMBLY INCLUDES PERMANENT AND START-UP STRAINER

PERMANENT STRAINER PERFORATION HOLE SIZE --- .125" DIA.

# SUCTION GUIDE PARTS

## MODEL NUMBER SGG-108



ITEM NO.	PART DESCRIPTION	PART NUMBER	ARMSTRONG BAR CODE
1	BODY	546855-211	
2	STRAINER ASSEMBLY	516900-000	
3	O-RING - edpm, 9.475.D.x.210cs	AS1270-375	
4	COVER	516890-231	
5	WASHER - stl 3/4" plain (SAE)	927123-100	
6	HEX HEAD CAP SCREW - 3/4"-10 x 1.75"	911131-114	
7	PIPE PLUG - 1" npt sq hd	939021-505	

### NOTES:

SUPPORT PIPE NOT FURNISHED USE UNTHREADED STEEL PIPE

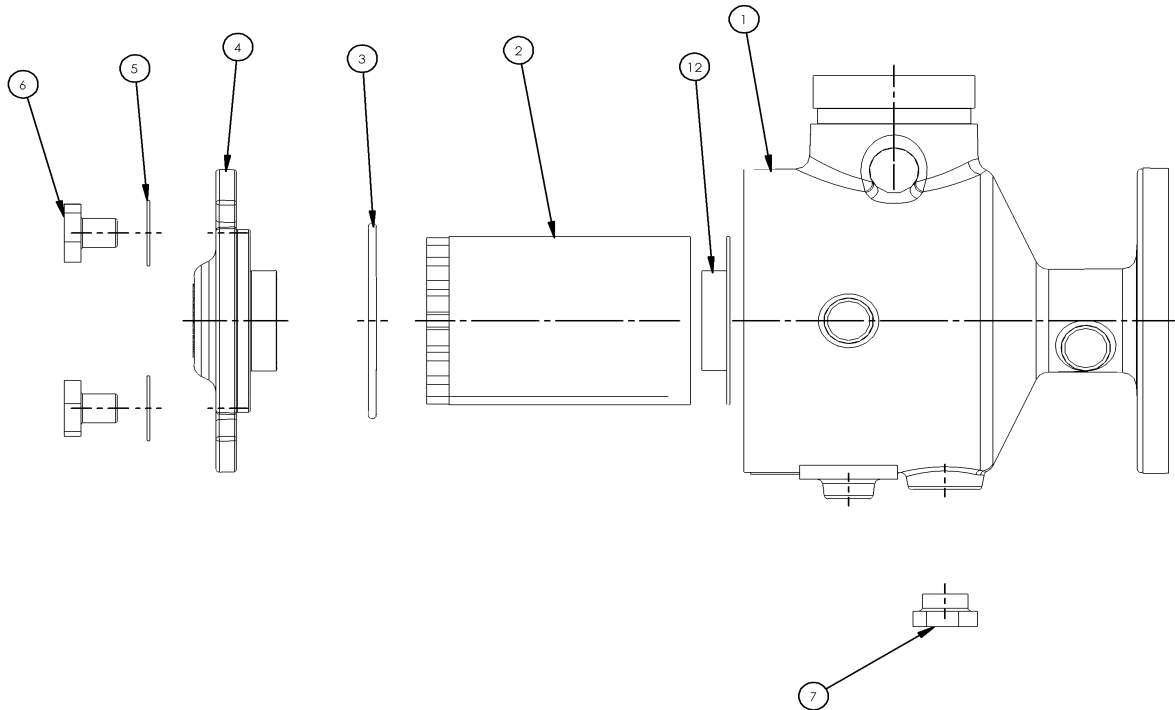
### START-UP STRAINER MUST BE REMOVED AFTER A SHORT RUNNING PERIOD

STRAINER ASSEMBLY INCLUDES PERMANENT AND START-UP STRAINER

PERMANENT STRAINER PERFORATION HOLE SIZE --- .125" DIA.

# SUCTION GUIDE PARTS

## MODEL NUMBER SGG-1010



ITEM NO.	PART DESCRIPTION	PART NUMBER	ARMSTRONG BAR CODE
1	BODY	546856-211	
2	STRAINER ASSEMBLY	516860-000	
3	O-RING - edpm, 11.475.D.x.210cs	AS1270-380	
4	COVER	516891-231	
5	WASHER - stl 1" plain (SAE)	927127-100	
6	HEX HEAD CAP SCREW - 1"- 8 x 2.25"	911135-118	
7	PIPE PLUG - 1" npt sq hd	939021-505	
12	ROUNDUP RING	516914-001	

### NOTES:

SUPPORT PIPE NOT FURNISHED USE UNTHREADED STEEL PIPE

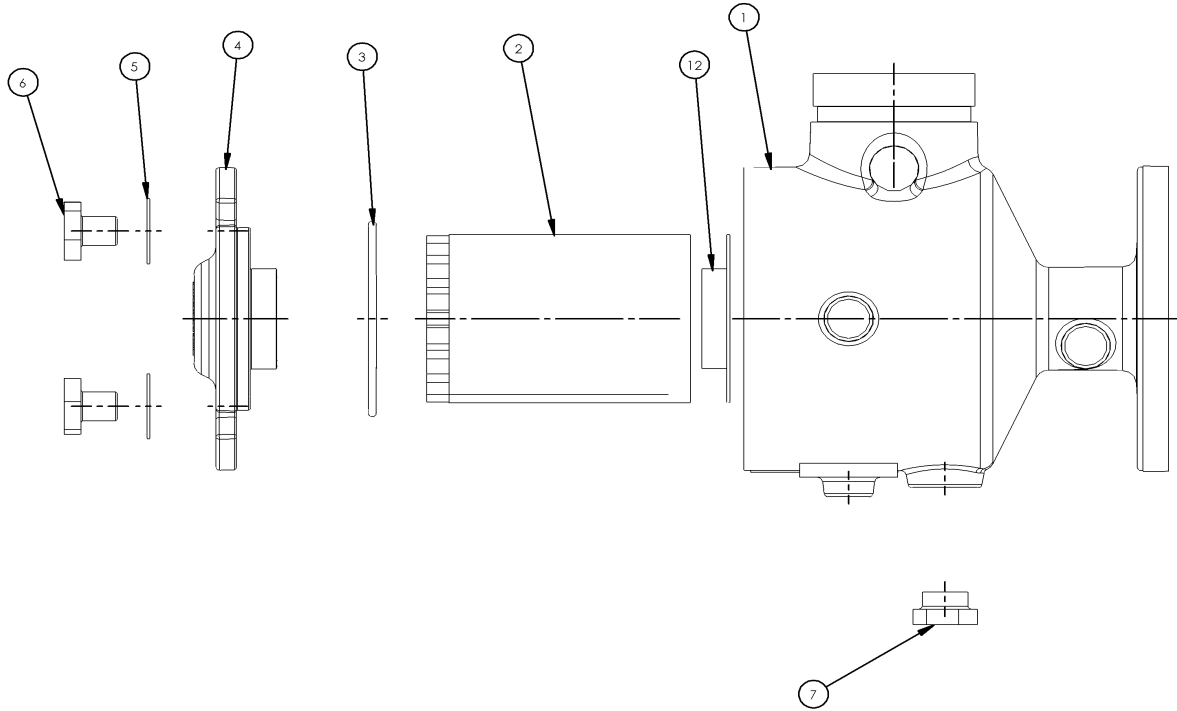
**START-UP STRAINER MUST BE REMOVED AFTER A SHORT RUNNING PERIOD**

STRAINER ASSEMBLY INCLUDES PERMANENT AND START-UP STRAINER

PERMANENT STRAINER PERFORATION HOLE SIZE --- .125" DIA.

# SUCTION GUIDE PARTS

## MODEL NUMBER SGG-1210



ITEM NO.	PART DESCRIPTION	PART NUMBER	ARMSTRONG BAR CODE
1	BODY	546857-211	
2	STRAINER ASSEMBLY	516860-000	
3	O-RING - edpm, 11.475.D.x.210cs	AS1270-380	
4	COVER	516891-231	
5	WASHER - stl 1" plain (SAE)	927127-100	
6	HEX HEAD CAP SCREW - 1"- 8 x 2.25"	911135-118	
7	PIPE PLUG - 1" npt sq hd	939021-505	
12	ROUNDUP RING	516914-001	

### NOTES:

SUPPORT PIPE NOT FURNISHED USE UNTHREADED STEEL PIPE

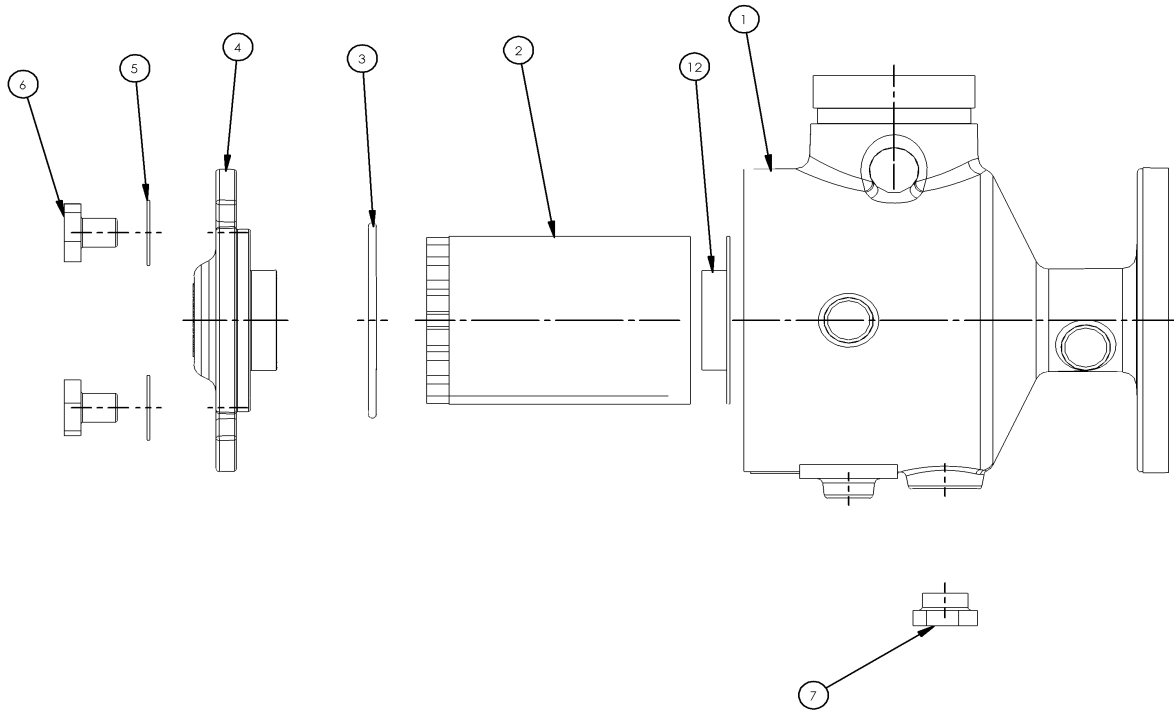
**START-UP STRAINER MUST BE REMOVED AFTER A SHORT RUNNING PERIOD**

STRAINER ASSEMBLY INCLUDES PERMANENT AND START-UP STRAINER

PERMANENT STRAINER PERFORATION HOLE SIZE --- .125" DIA.

# SUCTION GUIDE PARTS

## MODEL NUMBER SGG-1212



ITEM NO.	PART DESCRIPTION	PART NUMBER	ARMSTRONG BAR CODE
1	BODY	546858-211	
2	STRAINER ASSEMBLY	516870-000	
3	O-RING - edpm, 12.975.D.x.210cs	AS1270-382	
4	COVER	516892-231	
5	WASHER - stl 1" plain (SAE)	927127-100	
6	HEX HEAD CAP SCREW - 1"- 8 x 2.25"	911135-118	
7	PIPE PLUG - 1" npt sq hd	939021-505	
12	ROUNDUP RING	516971-001	

### NOTES:

SUPPORT PIPE NOT FURNISHED USE UNTHREADED STEEL PIPE

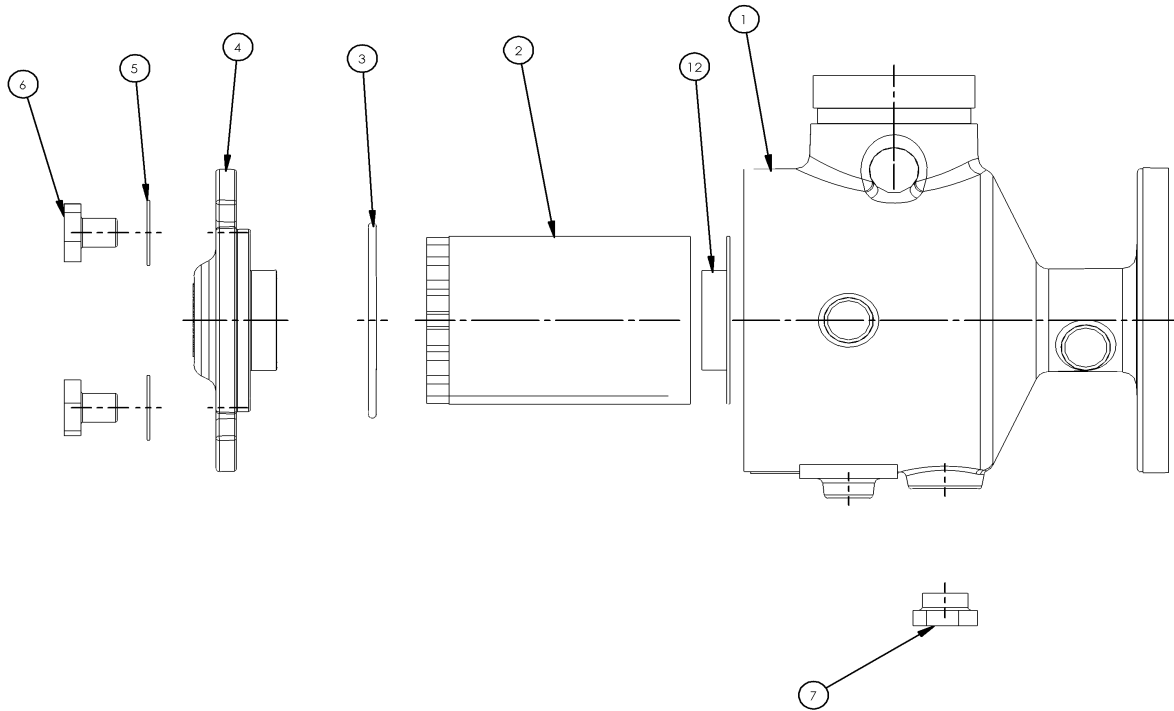
**START-UP STRAINER MUST BE REMOVED AFTER A SHORT RUNNING PERIOD**

STRAINER ASSEMBLY INCLUDES PERMANENT AND START-UP STRAINER

PERMANENT STRAINER PERFORATION HOLE SIZE --- .125" DIA.

# SUCTION GUIDE PARTS

## MODEL NUMBER SGG-1412



ITEM NO.	PART DESCRIPTION	PART NUMBER	ARMSTRONG BAR CODE
1	BODY	546859-211	
2	STRAINER ASSEMBLY	516870-000	
12	ROUNDUP RING	516971-001	
3	O-RING - edpm, 12.975.D.x.210cs	AS1270-382	
4	COVER	516892-231	
5	WASHER - stl 1" plain (SAE)	927127-100	
6	HEX HEAD CAP SCREW - 1"- 8 x 2.25"	911135-118	
7	PIPE PLUG - 1" npt sq hd	939021-505	
12	ROUNDUP RING	516971-001	

### NOTES:

SUPPORT PIPE NOT FURNISHED USE UNTHREADED STEEL PIPE

**START-UP STRAINER MUST BE REMOVED AFTER A SHORT RUNNING PERIOD**

STRAINER ASSEMBLY INCLUDES PERMANENT AND START-UP STRAINER

PERMANENT STRAINER PERFORATION HOLE SIZE --- .125" DIA.