
PARTS LIST

SERIES 4380

VERTICAL IN-LINE

EQUAL SUCTION & DISCHARGE
"S" DESIGNATION

7/8" IMPELLER BORE -- 1-1/4" MECHANICAL SEAL

NEW DESIGN

4380 POWER FRAMES: ALL SPEEDS

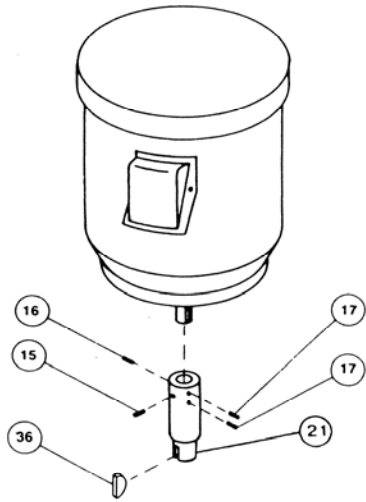
| SPEED | MOTOR HORSEPOWER | | | | | | | | | | | | | | | | | | |
|-------------------|------------------|-------|-----------|-------|-------|-------|-------|-------|-------|-------|-------|-------|-------|-------|-------|-------|-------|-------|-------|
| | 1/2 | 3/4 | 1 | 1 1/2 | 2 | 3 | 5 | 3 | 5 | 7 1/2 | 10 | | | 15 | 20 | | | 25 | 30 |
| 1150 RPM | 3/4 | 1 | 1 1/2 & 2 | 3 | 5 | 7 1/2 | 10 | 7 1/2 | 10 | 15 | 20 | | | 25 | 30 | | | 40 | 50 |
| 1750 RPM | 1 | 1 1/2 | 2 & 3 | 5 | 7 1/2 | 10 | 15 | 10 | 15 | 20 | 25 | 30 | 40 | | | 50 | 60 | | |
| 3500 RPM | | | | | | | | | | | | | | | | | | | |
| FRAME | 56C | 143JM | 145JM | 182JM | 184JM | 213JM | 215JM | 213JP | 215JP | 254JM | 256JM | 284JM | 286JM | 284JP | 286JP | 324JM | 326JM | 324JP | 326JP |
| PUMP SIZE | | | | | | | | | | | | | | | | | | | |
| 1 1/2 X 1 1/2 X 6 | S | S | S | S | S | S | | | | | | | | | | | | | |
| 2 X 2 X 6 | S | S | S | S | S | S | S | | | | | | | | | | | | |
| 3 X 3 X 6 | S | S | S | S | S | S | S | | | | | | | | | | | | |
| 4 X 4 X 6W | | S | S | S | S | S | S | | | M | M | | | | | | | | |
| 1 1/2 X 1 1/2 X 8 | S | S | S | S | S | | | M | M | | | | | | | | | | |
| 2 X 2 X 8 | S | S | S | S | S | | | M | M | M | M | M | M | | | | | | |
| 3 X 3 X 8 | S | S | S | S | S | | | M | M | M | M | M | M | | | M | M | | |
| 4 X 4 X 8 | | S | S | S | S | | | M | M | M | M | M | M | | | M | M | | |
| 5 X 5 X 8 | | S | S | S | S | | | M | M | M | M | M | M | | | M | M | | |
| 6 X 6 X 8 | | S | S | S | S | | | M | M | M | M | | | | | | | | |
| 8 X 8 X 8 | | | | S | S | | | M | M | M | M | | | | | | | | |
| 2 X 2 X 10 | | S | S | S | S | | | M | M | M | M | | | M | M | | | M | M |
| 3 X 3 X 10 | | S | S | S | S | | | M | M | M | M | | | M | M | | | M | M |
| 4 X 4 X 10 | | S | S | S | S | | | M | M | M | M | | | M | M | | | M | M |
| 6 X 6 X 10 | | S | S | S | S | | | M | M | M | M | | | M | M | | | | |
| 8 X 8 X 10 | | | | | | | | M | M | M | M | | | M | M | | | M | M |
| 4 X 4 X 11 1/2 | | S | S | S | S | | | M | M | M | M | | | M | M | | | | |
| 5 X 5 X 11 1/2 | | | | | | | | M | M | M | M | | | M | M | | | | |
| 6 X 6 X 11 1/2 | | | | | | | | M | M | M | M | | | M | M | | | M | M |
| 8 X 8 X 11 1/2 | | | | | | | | | | M | M | | | M | M | | | M | M |
| 3 X 3 X 13 | | | | | | | | M | M | M | M | | | M | M | | | | |
| 4 X 4 X 13 | | | | | | | | M | M | M | M | | | M | M | | | M | M |
| 6 X 6 X 13 | | | | | | | | M | M | M | M | | | M | M | | | M | M |
| 8 X 8 X 13 | | | | | | | | | | M | M | | | M | M | | | M | M |

"S" DESIGNATION - 7/8" IMPELLER BORE, 1 1/4" MECHANICAL SEAL

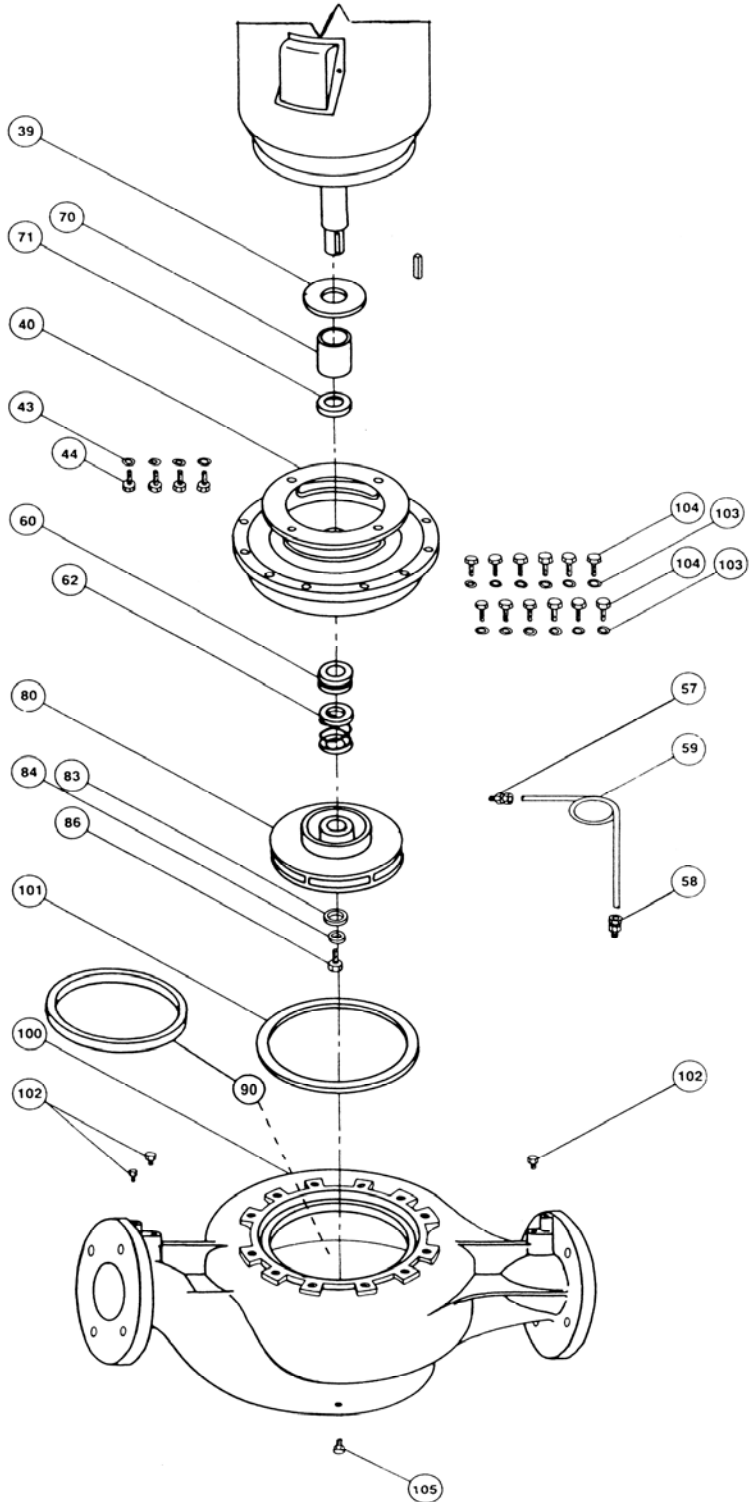
"M" DESIGNATION - 1 1/4" IMPELLER BORE, 1 5/8" MECHANICAL SEAL

4380 NEW STYLE VERTICAL PUMP
EQUAL SUCTION AND DISCHARGE
"S" DESIGNATION
7/8" IMPELLER BORE -- 1 1/4" MECHANICAL SEAL

EXPLODED VIEW



Frame 56 C Shaft Arrangement



SEE PAGE 3 FOR PARTS INDEX

MODEL 4380 VERTICAL IN-LINE

EQUAL SUCTION AND DISCHARGE

PUMP PARTS

| INDEX | | | | | |
|--------------|---------------------|-------------|-------------|------------------------|-------------|
| ITEM | DESCRIPTION | PAGE | ITEM | DESCRIPTION | PAGE |
| 15 | SET SCREW | 15 | 70 | SHAFT SLEEVE | 16 |
| 16 | SET SCREW | 15 | 71 | SHAFT SLEEVE SPACER | 14 |
| 17 | SET SCREW | 15 | 80 | IMPELLER | 11 & 12 |
| 21 | SHAFT EXTENSION | 15 | 83 | WASHER (IMPELLER) | 16 |
| 36 | SHAFT KEY | 15 | 86 | CAPSCREW (IMPELLER) | 16 |
| 39 | WATER SLINGER | 16 | 90 | CASE WEAR RING | 4 & 5 |
| 40 | STUFF. BOX/ADAPTER | 13 | 100 | CASING | 9 & 10 |
| 43 | WASHER (MOTOR) | 14 | 101 | CASING GASKET | 6 |
| 44 | CAPSCREW (MOTOR) | 14 | 102 | CASING GAUGE PLUG | 17 |
| 57 | MALE CONNECTOR | 17 | 103 | CASING CAPSCREW WASHER | 7 |
| 58 | MALE CONNECTOR | 15 | 104 | CASING CAPSCREW | 7 |
| 59 | TUBING | 17 | 105 | CASING DRAIN PLUG | 8 |
| 62 | MECHANICAL SEAL KIT | 16 | 90 | CASE WEAR RING | 9 & 10 |

VERTICAL IN-LINE MODEL 4380 PUMP PARTS

EQUAL SUCTION AND DISCHARGE

"S" SIZE - 7/8" IMPELLER BORE - 1 1/4" MECHANICAL SEAL

| ITEM 101 CASING** | | | |
|--------------------------|------------|-------------|----------|
| PUMP SIZE | MATERIAL | PART NUMBER | BAR CODE |
| 1 1/2X1 1/2X6 | 125# C.I.* | 427135-011 | |
| 1 1/2X1 1/2X6 | 250# D.I.* | 427036-031 | |
| 2X2X6 | 125# C.I. | 427037-011 | |
| 2X2X6 | 250# D.I. | 427038-031 | |
| 3X3X6 | 125# C.I. | 427041-011 | |
| 3X3X6 | 250# D.I. | 427042-031 | |
| 4X4X6 | 125# C.I. | 427043-011 | |
| 4X4X6 | 250# D.I. | 427044-031 | |
| 1 1/2X1 1/2X8 | 125# C.I. | 427045-011 | |
| 1 1/2X1 1/2X8 | 250# D.I. | 427046-031 | |
| 2X2X8 | 125# C.I. | 427047-011 | |
| 2X2X8 | 250# D.I. | 427048-031 | |
| 3X3X8 | 125# C.I. | 427051-011 | |
| 3X3X8 | 250# D.I. | 427052-031 | |
| 4X4X8 | 125# C.I. | 427053-011 | |
| 4X4X8 | 250# D.I. | 427054-031 | |

NOTES: C.I.* DENOTES CAST IRON and D.I.* DENOTES DUCTILE IRON

For other constructions change the suffix to the following:

ALL BRONZE CONSTRUCTION - 041

STAINLESS STEEL CONSTRUCTION - 071

** CASING PART NUMBERS ARE FOR CASING ONLY, CASING WEAR RING IS SOLD SEPARATELY.

CASINGS CONTINUED ON PAGE 5

VERTICAL IN-LINE MODEL 4380 PUMP PARTS

EQUAL SUCTION AND DISCHARGE

"S" SIZE - 7/8" IMPELLER BORE - 1 1/4" MECHANICAL SEAL

| ITEM 101 CASING** (cont'd) | | | |
|-----------------------------------|------------|-------------|----------|
| PUMP SIZE | MATERIAL | PART NUMBER | BAR CODE |
| 5X5X8 | 125# C.I. | 427024-011 | |
| 5X5X8 | 250# D.I. | 427025-031 | |
| 6X6X8 | 125# C.I. | 427055-011 | |
| 6X6X8 | 250# D.I. | 427056-031 | |
| 8X8X8 | 125# C.I. | 427915-011 | |
| 8X8X8 | 250# D.I. | 427916-031 | |
| 2X2X10 | 125# C.I.* | 427059-011 | |
| 2X2X10 | 250# D.I.* | 427060-031 | |
| 3X3X10 | 125# C.I. | 427061-011 | |
| 3X3X10 | 250# D.I. | 427062-031 | |
| 4X4X10 | 125# C.I. | 427063-011 | |
| 4X4X10 | 250# D.I. | 427064-031 | |
| 6X6X10 | 125# C.I. | 427065-011 | |
| 6X6X10 | 250# D.I. | 427066-031 | |
| 4X4X11 1/2 | 125# C.I. | 426119-011 | |
| 4X4X11 1/2 | 250# D.I. | 426120-031 | |

NOTES: C.I.* DENOTES CAST IRON and D.I.* DENOTES DUCTILE IRON

For other constructions change the suffix to the following:

ALL BRONZE CONSTRUCTION -041

STAINLESS STEEL CONSTRUCTION -071

**** CASING PART NUMBERS ARE FOR CASING ONLY, CASING WEAR RING IS SOLD**

SEPARATELY.

**VERTICAL IN-LINE
MODEL 4380
PUMP PARTS**

EQUAL SUCTION AND DISCHARGE

"S" SIZE - 7/8" IMPELLER BORE - 1 1/4" MECHANICAL SEAL

| ITEM 101 CASING GASKET | | |
|-------------------------------|--------------------|-----------------|
| PUMP SIZE | PART NUMBER | BAR CODE |
| 1 1/2 X 1 1/2 X 6 | 426401-002 | |
| 2 X 2 X 6 | | |
| 3 X 3 X 6 | | |
| 4 X 4 X 6W | | |
| 1 1/2 X 1 1/2 X 8 | 426401-003 | |
| 2 X 2 X 8 | | |
| 4 X 4 X 8 | | |
| 5 X 5 X 8 | | |
| 6 X 6 X 8W | | |
| 8 X 8 X 8 | | |
| 2 X 2 X 10 | 426401-004 | |
| 3 X 3 X 10 | | |
| 4 X 4 X 10 | | |
| 4 X 4 X 11 1/2 | 426401-006 | |

**VERTICAL IN-LINE
MODEL 4380
PUMP PARTS**

EQUAL SUCTION AND DISCHARGE

"S" SIZE - 7/8" IMPELLER BORE - 1 1/4" MECHANICAL SEAL

ITEM 104 CASING CAPSCREW & WASHER

| PUMP SIZE | NO. REQ'D | SIZE | PART NUMBER | BAR CODE |
|--------------------------|----------------------|--------------------------------|------------------------|-----------------|
| 1 1/2 X 1 1/2 X 6 | | CAPSCREW | | |
| 2 X 2 X 6 | 12 | 1/2" - 13NC X 1 1/4"LG. | 911125-110 | |
| 3 X 3 X 6 | | WASHER | | |
| 4 X 4 X 6W | 12 | 1/2" - SAE FLAT | 927117-100 | |
| 1 1/2 X 1 1/2 X 8 | | HX. HD. CAPSCREW | | |
| 2 X 2 X 8 | 8 | 5/8" - 11NC X 1 1/2"LG. | 911129-112 | |
| 4 X 4 X 8 | | | | |
| 5 X 5 X 8 | | WASHER | | |
| 6 X 6 X 8W | 8 | 5/8" - SAE FLAT | 927121-100 | |
| 8 X 8 X 8 | | | | |
| 2 X 2 X 10 | | CAPSCREW | | |
| | 12 | 5/8" - 11NC X 1 1/2"LG. | 911129-112 | |
| 3 X 3 X 10 | | | | |
| | | WASHER | | |
| 4 X 4 X 10 | 12 | 5/8 - SAE FLAT | 927121-100 | |
| | | CAPSCREW | | |
| 4 X 3 X 11 1/2 | 16 | 1/2" - 13NC X 1 1/2"LG. | 911125-112 | |
| | | | | |
| | | WASHER | | |
| | 16 | 1/2" - SAE FLAT | 927117-100 | |

**VERTICAL IN-LINE
MODEL 4380
PUMP PARTS**

EQUAL SUCTION AND DISCHARGE

"S" SIZE - 7/8" IMPELLER BORE - 1 1/4" MECHANICAL SEAL

| ITEM 105 CASING DRAIN PLUG | | | | | |
|-----------------------------------|---------------|--------------|----------|----------------|---------------|
| PUMP SIZE | MATERIAL | NO. REQ'D | SIZE | PART NUMBER | BAR CODE |
| 1 1/2X1 1/2X6 | CAD PLATED | 1 | 1/4" NPT | 937105-201 | |
| 2X2X6 | | | | | |
| 3X3X6 | | | | | |
| 4X4X6 | | | | | |
| 1 1/2X1 1/2X8 | | | | | |
| 2X2X8 | | | | | |
| 3X3X8 | | | | | |
| 4X4X8 | | | | | |
| 6X6X8 | | | | | |
| 8X8X8 | | | | | |
| 2X2X10 | | | | | |
| 3X3X10 | | | | | |
| 4X4X10 | | | | | |
| 4X4X11 1/2 | | | | | |
| 5X5X8 | | | | | CAD PLATED |

| ITEM 102 CASING GAUGE PLUG | | | | | |
|-----------------------------------|---------------|---|----------|------------|--|
| ALL | CAD PLATED | 4 | 1/4" NPT | 937105-201 | |

**VERTICAL IN-LINE
MODEL 4380
PUMP PARTS
EQUAL SUCTION AND DISCHARGE**

"S" SIZE - 7/8" IMPELLER BORE - 1 1/4" MECHANICAL SEAL

| ITEM 90 CASE WEAR RING | | | | |
|-------------------------------|--------|----------------|----------------|----------|
| PUMP SIZE | CONST. | MATERIAL | PART NUMBER | BAR CODE |
| 1 1/2X1 1/2X6 | AB-BF | SAE 660 BRONZE | 426413-401 | |
| 1 1/2X1 1/2X6 | AI-DI | CLASS 30 C.I. | 426413-101 | |
| 2X2X6 | AB-BF | SAE 660 BRONZE | 426413-403 | |
| 2X2X6 | AI-DI | CLASS 30 C.I. | 426413-103 | |
| 3X3X6 | AB-BF | SAE 660 BRONZE | 426413-406 | |
| 3X3X6 | AI-DI | CLASS 30 C.I. | 426413-106 | |
| 4X4X6 | AB-BF | SAE 660 BRONZE | 426413-404 | |
| 4X4X6 | AI-DI | CLASS 30 C.I. | 426413-104 | |
| 1 1/2X1 1/2X8 | AB-BF | SAE 660 BRONZE | 426413-402 | |
| 1 1/2X1 1/2X8 | AI-DI | CLASS 30 C.I. | 426413-102 | |
| 2X2X8 | AB-BF | SAE 660 BRONZE | 426413-404 | |
| 2X2X8 | AI-DI | CLASS 30 C.I. | 426413-104 | |
| 3X3X8 | AB-BF | SAE 660 BRONZE | 426413-407 | |
| 3X3X8 | AI-DI | CLASS 30 C.I. | 426413-107 | |

WEAR RINGS CONTINUED ON PAGE 10

VERTICAL IN-LINE MODEL 4380 PUMP PARTS

EQUAL SUCTION AND DISCHARGE

"S" SIZE - 7/8" IMPELLER BORE - 1 1/4" MECHANICAL SEAL

ITEM 90 CASE WEAR RING (cont'd)

| PUMP SIZE | CONST. | MATERIAL | PART NUMBER | BAR CODE |
|------------|--------|----------------|-------------|----------|
| 4X4X8 | AB-BF | SAE 660 BRONZE | 426413-410 | |
| 4X4X8 | AI-DI | CLASS 30 C.I. | 426413-110 | |
| 5X5X8 | AB-BF | SAE 660 BRONZE | 426413-413 | |
| 5X5X8 | AI-DI | CLASS 30 C.I. | 426413-113 | |
| 8X8X8 | AI-DI | CLASS 30 C.I. | | |
| 8X8X8 | AI-DI | CLASS 30 C.I. | | |
| 2x2x10 | AB-BF | SAE 660 BRONZE | 426413-404 | |
| 2x2x10 | AI-DI | CLASS 30 C.I. | 426413-104 | |
| 3x3x10 | AB-BF | SAE 660 BRONZE | 426413-404 | |
| 3x3x10 | AI-DI | CLASS 30 C.I. | 426413-104 | |
| 4x4x10 | AB-BF | SAE 660 BRONZE | 426413-408 | |
| 4x4x10 | AI-DI | CLASS 30 C.I. | 426413-108 | |
| 4x4x11 1/2 | AB-BF | SAE 660 BRONZE | 426412-405 | |
| 4x4x11 1/2 | AI-DI | CLASS 30 C.I. | 426412-105 | |

VERTICAL IN-LINE MODEL 4380 PUMP PARTS

EQUAL SUCTION AND DISCHARGE

"S" SIZE - 7/8" IMPELLER BORE - 1 1/4" MECHANICAL SEAL

ITEM 102 IMPELLER** 7/8" BORE

| PUMP SIZE | MATERIAL | IMP. BORE | MAX. DIA. | PART NUMBER | BAR CODE |
|---------------|-----------|-----------|-----------|-------------|----------|
| 1 1/2X1 1/2X6 | BRONZE | 7/8" | 6" | 427099-011 | |
| 1 1/2X1 1/2X6 | CAST IRON | 7/8" | 6" | 427099-011 | |
| 2X2X6 | BRONZE | 7/8" | 6" | 427109-041 | |
| 2X2X6 | CAST IRON | 7/8" | 6" | 427109-011 | |
| 3X3X6 | BRONZE | 7/8" | 6" | 427103-041 | |
| 3X3X6 | CAST IRON | 7/8" | 6" | 427103-011 | |
| 4X4X6 | BRONZE | 7/8" | 6" | 427115-041 | |
| 4X4X6 | CAST IRON | 7/8" | 6" | 427115-011 | |
| 1 1/2X1 1/2X8 | BRONZE | 7/8" | 8" | 427119-041 | |
| 1 1/2X1 1/2X8 | CAST IRON | 7/8" | 8" | 427119-011 | |
| 2X2X8 | BRONZE | 7/8" | 8" | 427121-041 | |
| 2X2X8 | CAST IRON | 7/8" | 8" | 427121-011 | |
| 3X3X8 | BRONZE | 7/8" | 8" | 427129-041 | |
| 3X3X8 | CAST IRON | 7/8" | 8" | 427129-011 | |
| 4X4X8 | BRONZE | 7/8" | 8" | 427137-041 | |
| 4X4X8 | CAST IRON | 7/8" | 8" | 427137-011 | |

NOTES:

** Impeller Part Numbers are for full or maximum diameter Impellers. Always specify Pump Serial Number and where possible, measure and advise the diameter of the Impeller being replaced on these Pumps.

IMPELLERS CONTINUED ON PAGE 12

VERTICAL IN-LINE MODEL 4380 PUMP PARTS

EQUAL SUCTION AND DISCHARGE

"S" SIZE - 7/8" IMPELLER BORE - 1 1/4" MECHANICAL SEAL

ITEM 102 IMPELLER** 7/8" BORE (cont'd)

| PUMP SIZE | MATERIAL | IMP. BORE | MAX. DIA. | PART NUMBER | BAR CODE |
|------------|-----------|-----------|-----------|-------------|----------|
| 5X5X8 | BRONZE | 7/8" | 8" | 427131-041 | |
| 5X5X8 | CAST IRON | 7/8" | 8" | 427131-011 | |
| 6X6X8 | BRONZE | 7/8" | 8" | 427139-041 | |
| 6X6X8 | CAST IRON | 7/8" | 8" | 427139-011 | |
| 8X8X8 | BRONZE | 7/8" | 8" | 427917-041 | |
| 8X8X8 | CAST IRON | 7/8" | 8" | 427917-011 | |
| 2x2x10 | BRONZE | 7/8" | 10" | 427151-041 | |
| 2x2x10 | CAST IRON | 7/8" | 10" | 427151-011 | |
| 3x3x10 | BRONZE | 7/8" | 10" | 427163-041 | |
| 3x3x10 | CAST IRON | 7/8" | 10" | 427163-011 | |
| 4x4x10 | BRONZE | 7/8" | 10" | 427149-041 | |
| 4x4x10 | CAST IRON | 7/8" | 10" | 427149-011 | |
| 6x6x10 | BRONZE | 7/8" | 10" | 427153-041 | |
| 6x6x10 | CAST IRON | 7/8" | 10" | 427153-011 | |
| 4x4x11 1/2 | BRONZE | 7/8" | 11 1/2" | 426281-041 | |
| 4x4x11 1/2 | CAST IRON | 7/8" | 11 1/2" | 426281-011 | |

NOTES:

** Impeller Part Numbers are for full or maximum diameter Impellers. Always specify Pump Serial Number and where possible, measure and advise the diameter of the Impeller being replaced on these Pumps.

VERTICAL IN-LINE MODEL 4380 PUMP PARTS

EQUAL SUCTION AND DISCHARGE

"S" SIZE - 7/8" IMPELLER BORE - 1 1/4" MECHANICAL SEAL

| ITEM 40 & 50 CAST IRON COMB. STUFFING BOX & ADAPTER | | | |
|--|---------------------|--------------|----------|
| PUMP SIZE | MOTOR FRAME | | BAR CODE |
| | 56TC & 143 TO 184JM | 213 TO 215JM | |
| 1 1/2 X 1 1/2 X 6 | 426746-011 | | |
| 1 1/2 X 1 1/2 X 6 | | 426747-011 | |
| 2 X 2 X 6 | 426746-011 | | |
| 2 X 2 X 6 | | 426747-011 | |
| 3 X 3 X 6 | 426746-011 | | |
| 3 X 3 X 6 | | 426747-011 | |
| 4 X 4 X 6W | 426746-011 | | |
| 4 X 4 X 6W | | 426747-011 | |
| 1 1/2 X 1 1/2 X 8 | 426749-011 | | |
| 2 X 2 X 8 | 426749-011 | | |
| 4 X 4 X 8 | 426749-011 | | |
| 5 X 5 X 8 | 426749-011 | | |
| 6 X 6 X 8W | 426749-011 | | |
| 8 X 8 X 8 | 426749-011 | | |
| 2 X 2 X 10 | 426753-011 | | |
| 3 X 3 X 10 | 426753-011 | | |
| 4 X 4 X 10 | 426753-011 | | |
| 4 X 4 X 11 1/2 | 426741-011 | | |

The above Part Numbers are for B.F. and A.I. Construction, the suffix will change for other Constructions as follows:

Ductile Iron Construction - 031

All Bronze Construction - 041

Stainless Steel Construction - 071

VERTICAL IN-LINE MODEL 4380 PUMP PARTS

EQUAL SUCTION AND DISCHARGE

"S" SIZE - 7/8" IMPELLER BORE - 1 1/4" MECHANICAL SEAL

ITEM 44 MOTOR CAPSCREW & WASHER

| PUMP SIZE | MOTOR FRAME | |
|--|--|--|
| | 56TC & 143 TO 184JM | 213 TO 215JM |
| | 4 REQUIRED | 4 REQUIRED |
| <p>1 1/2 X 1 1/2 X 6</p> <p style="text-align: center;">2 X 2 X 6</p> <p style="text-align: center;">3 X 3 X 6</p> <p style="text-align: center;">4 X 4 X 6W</p> | <p>CAPSCREW</p> <p>3/8"NCX1"</p> <p>PART NUMBER 911121-108</p> | <p>CAPSCREW</p> <p>1/2"-13NCX1"</p> <p>PART NUMBER 911125-108</p> <p>WASHER</p> <p>1/2" FLAT</p> <p>PART NUMBER 927117-100</p> |
| <p>1 1/2 X 1 1/2 X 8</p> <p style="text-align: center;">2 X 2 X 8</p> <p style="text-align: center;">4 X 4 X 8</p> <p style="text-align: center;">5 X 5 X 8</p> <p style="text-align: center;">6 X 6 X 8W</p> <p style="text-align: center;">8 x 8 x 8</p> <p style="text-align: center;">2 X 2 X 10</p> <p style="text-align: center;">3 X 3 X 10</p> <p style="text-align: center;">4 X 4 X 10</p> <p style="text-align: center;">4 X 4 X 11 1/2</p> | <p>WASHER</p> <p>3/8" FLAT</p> <p>PART NUMBER 927113-100</p> | |

BAR CODES

| | | | |
|------------|--|------------|--|
| 927113-100 | | 911121-108 | |
| 927117-100 | | 911125-108 | |

**VERTICAL IN-LINE
MODEL 4380
PUMP PARTS**

EQUAL SUCTION AND DISCHARGE

"S" SIZE - 7/8" IMPELLER BORE - 1 1/4" MECHANICAL SEAL

PARTS FOR FRAME 56TC ONLY

| ITEM NO. | DESCRIPTION | CONST. | PART NUMBER | BAR CODE |
|----------|---|--------|-------------|----------|
| 15 | ALLEN SET SCREW (1 REQ'D) CONE POINT 1/4-20 X 5/16" LONG | | 916517-005 | |
| 16 | ALLEN SET SCREW (1 REQ'D) CUP POINT 5/16-18 X 1/4" LONG | | 916519-104 | |
| 17 | ALLEN SET SCREW (2 REQ'D) DOG POINT 1/4-20X5/16" LONG | | 916517-205 | |
| 21 | SHAFT EXTENSION | | 426992-071 | |
| 36 | SHAFT KEY | | 974515-400 | |

PARTS FOR FRAMES 143 TO 215JM

| ITEM NO. | DESCRIPTION | CONST. | PART NUMBER | BAR CODE |
|----------|---------------|--------|-------------|----------|
| 70 | SHAFT SLEEVE | B.F. | 425869-001 | |
| 70 | SHAFT SLEEVE | A.I. | 425869-002 | |
| 71 | SLEEVE SPACER | ALL | 425868-005 | |

**VERTICAL IN-LINE
MODEL 4380
PUMP PARTS**

EQUAL SUCTION AND DISCHARGE

"S" SIZE - 7/8" IMPELLER BORE - 1 1/4" MECHANICAL SEAL

| ITEMS 70 & 71 SHAFT SLEEVE & SPACER KITS | | | | |
|---|-----------------------|--------|------------|----------|
| ITEM | DESCRIPTION | CONST. | PART | BAR CODE |
| 70 & 71 | SH. SLV. & SPACER KIT | B.F. | 810150-150 | |
| 70 & 71 | SH. SLV. & SPACER KIT | A.I. | 810150-151 | |

| COMMON PARTS | | | | |
|---------------------|---------------------|--------|--------------|----------|
| ITEM NO. | DESCRIPTION | CONST. | PART NUMBER | BAR CODE |
| 62K | MECHANICAL SEAL KIT | ALL | 975000-982** | |
| 39 | WATER SLINGER | ALL | 406622-000 | |
| 83 | IMPELLER WASHER | ALL | 425742-001 | |
| 86 | IMPELLER CAPSCREW | ALL | 911900-114 | |

** Suitable for Potable / Drinking water. For non-potable water use 9975000-981

**VERTICAL IN-LINE
MODEL 4380
PUMP PARTS**

EQUAL SUCTION AND DISCHARGE

"S" SIZE - 7/8" IMPELLER BORE - 1 1/4" MECHANICAL SEAL

ITEM 57& 58 MALE CONNECTOR**

| PUMP SIZE | NO. REQ'D. | MAT. | SIZE | CONST. | PART NUMBER | BAR CODE |
|-----------|------------|-------|---------------------|-----------|-------------|----------|
| ALL | 1 | BRASS | 3/8" TUBE X 1/4"NPT | B.F./A.B. | 939001-114 | |
| ALL | 1 | STEEL | 3/8" TUBE X 1/4"NPT | A.I. | 939001-214 | |

ITEM 59 FLUSH LINE TUBING**

| PUMP SIZE | NO. REQ'D. | MAT. | SIZE | CONST. | PART NUMBER | BAR CODE |
|-----------------------------------|------------|--------|------------------|-----------|-------------|----------|
| 1 1/2X1 1/2X6 TO 8X8X11 1/2 | 1 | COPPER | 3/8" OD X 12"LG. | B.F./A.B. | 997531-004 | |
| | | | | | | |
| | | STEEL | | A.I. | 997153-004 | |

ITEM 102 GAUGE PLUG

| PUMP SIZE | NO. REQ'D | MAT. | SIZE | CONST. | PART NUMBER | BAR CODE |
|-----------|-----------|------------------------|----------|--------|-------------|----------|
| ALL | 4 | CAD. PLTD. STEEL | 1/4" NPT | ALL | 937105-201 | |