



FILE NO.:	6043.130
DATE:	December 21, 2011
SUPERSEDES:	6043.130
DATE:	October 4, 2011

**VERTICAL IN-LINE**

**PARTS LIST**

---

# **SERIES 4380**

**EQUAL SUCTION & DISCHARGE  
"M" DESIGNATION**

**1-1/4" IMPELLER BORE -- 1-5/8" MECHANICAL SEAL**

**NEW DESIGN**



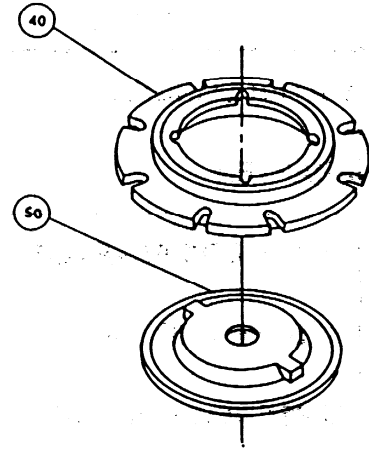
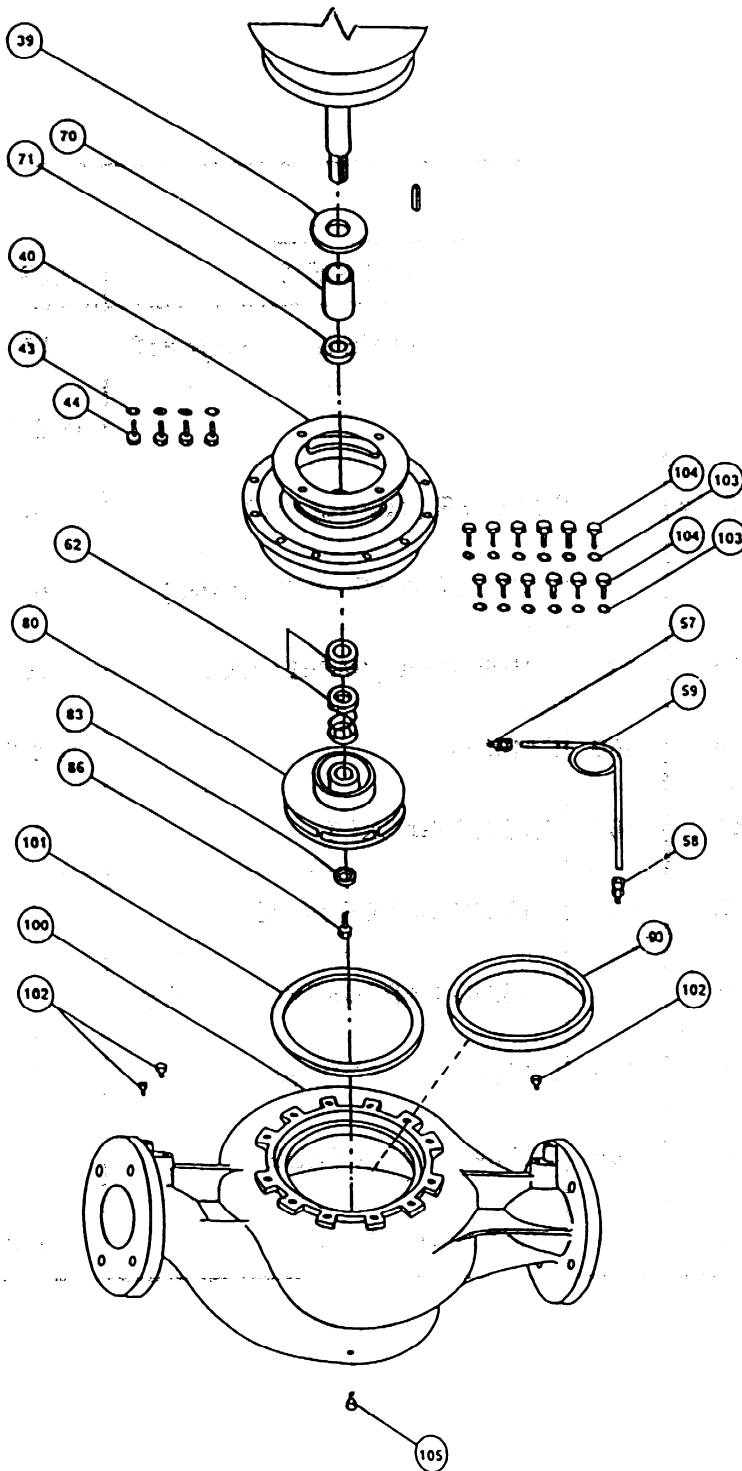
## 4380 POWER FRAMES: ALL SPEEDS

SPEED	MOTOR HORSEPOWER																			
	1/2	3/4	1	1 1/2	2	3	5	3	5	7 1/2	10			15	20			25	30	
1150 RPM	3/4	1	1 1/2 & 2	3	5	7 1/2	10	7 1/2	10	15	20			25	30			40	50	
1750 RPM	1	1 1/2	2 & 3	5	7 1/2	10	15	10	15	20	25	30	40			50	60			
3500 RPM	56C	143JM	145JM	182JM	184JM	213JM	215JM	213JP	215JP	254JM	256JM	284JM	286JM	284JP	286JP	324JM	326JM	324JP	326JP	
FRAME																				
PUMP SIZE																				
1 1/2 X 1 1/2 X 6	S	S	S	S	S	S														
2 X 2 X 6	S	S	S	S	S	S	S													
3 X 3 X 6	S	S	S	S	S	S	S													
4 X 4 X 6W		S	S	S	S	S	S			M	M									
1 1/2 X 1 1/2 X 8	S	S	S	S	S			M	M											
2 X 2 X 8	S	S	S	S	S			M	M	M	M	M	M							
3 X 3 X 8	S	S	S	S	S			M	M	M	M	M	M			M	M			
4 X 4 X 8		S	S	S	S			M	M	M	M	M	M			M	M			
5 X 5 X 8		S	S	S	S			M	M	M	M	M	M			M	M			
6 X 6 X 8		S	S	S	S			M	M	M	M									
8 x 8 x 8				S	S			M	M	M	M									
1.5 X 1.5 X 10		S	S	S	S			M	M	M	M			M	M			M	M	
2 X 2 X 10		S	S	S	S			M	M	M	M			M	M			M	M	
3 X 3 X 10		S	S	S	S			M	M	M	M			M	M			M	M	
4 X 4 X 10		S	S	S	S			M	M	M	M			M	M			M	M	
6 X 6 X 10		S	S	S	S			M	M	M	M			M	M					
8 X 8 X 10								M	M	M	M			M	M			M	M	
4 X 4 X 11 1/2		S	S	S	S			M	M	M	M			M	M					
5 X 5 X 11 1/2								M	M	M	M			M	M					
6 X 6 X 11 1/2								M	M	M	M			M	M			M	M	
8 X 8 X 11 1/2										M	M			M	M			M	M	
3 X 3 X 13								M	M	M	M			M	M					
4 X 4 X 13								M	M	M	M			M	M			M	M	
6 X 6 X 13										M	M			M	M			M	M	
6 x 6 x 13H										M	M			M	M			M	M	
8 X 8 X 13										M	M			M	M			M	M	

"S" DESIGNATION - 7/8" IMPELLER BORE, 1 1/4" MECHANICAL SEAL

"M" DESIGNATION - 1 1/4" IMPELLER BORE, 1 5/8" MECHANICAL SEAL

**4380 NEW STYLE VERTICAL PUMP  
 EQUAL SUCTION AND DISCHARGE  
 "M" DESIGNATION  
 1 1/4" IMPELLER BORE -- 1 5/8" MECHANICAL SEAL**



Separate Adapter and Stuffing Box  
 For Pumps:- 3 X 3 X 13  
 4 X 4 X 13  
 6 X 6 X 13  
 FRAME 213-215JP ONLY

**SEE PAGE 3 FOR PARTS INDEX**

# MODEL 4380 VERTICAL IN-LINE

## EQUAL SUCTION AND DISCHARGE

### PUMP PARTS

<b>INDEX</b>					
<b>ITEM</b>	<b>DESCRIPTION</b>	<b>PAGE</b>	<b>ITEM</b>	<b>DESCRIPTION</b>	<b>PAGE</b>
39	WATER SLINGER	16	70&71	SHAFT SLEEVE & SPACER KIT	17
40	ADAPTER	14	80	IMPELLER	11 & 12
40/50	STUFF. BOX/ADAPTER	13 & 14	83	WASHER ( IMPELLER )	16
43	WASHER ( MOTOR )	15	84	LOCKWASHER ( IMPELLER )	16
44	CAPSCREW ( MOTOR )	15	86	CAPSCREW ( IMPELLER )	16
50	STUFFING BOX	14	100	CASING	4 & 5
57	MALE CONNECTOR	18	101	CASING GASKET	6
58	MALE CONNECTOR	18	102	CASING GAUGE PLUG	18
59	TUBING	18	103	CASING CAPSCREW WASHER	7
62	MECHANICAL SEAL KIT	16	104	CASING CAPSCREW	7
70	SHAFT SLEEVE	16	105	CASING DRAIN PLUG	8
71	SHAFT SLEEVE SPACER	16	90	CASE WEAR RING	9 & 10

# VERTICAL IN-LINE MODEL 4380 PUMP PARTS

EQUAL SUCTION AND DISCHARGE

"M" SIZE - 1 1/4" IMPELLER BORE - 1 5/8" MECHANICAL SEAL

## ITEM 101 CASING\*\*

PUMP SIZE	MATERIAL	PART NUMBER	BAR CODE
4X4X6	125# C.I.	427043-011	
4X4X6	250# D.I.	427044-031	
1 1/2X1 1/2X8	125# C.I.	427045-011	
1 1/2X1 1/2X8	250# D.I.	427046-031	
2X2X8	125# C.I.	427047-011	
2X2X8	250# D.I.	427048-031	
3X3X8	125# C.I.	427051-011	
3X3X8	250# D.I.	427052-031	
4X4X8	125# C.I.	427053-011	
4X4X8	250# D.I.	427054-031	
5X5X8	125# C.I.	427024-011	
5X5X8	250# D.I.	427025-031	
6X6X8	125# C.I.	427055-011	
6X6X8	250# D.I.	427056-031	
8X8X8	125# C.I.	427915-011	
8X8X8	250# D.I.	427916-031	
1.5X1.5X10	125# C.I.*	426257-011	
1.5X1.5X10	250# D.I.*	426258-031	
2X2X10	125# C.I.*	427059-011	
2X2X10	250# D.I.*	427060-031	
3X3X10	125# C.I.	427061-011	
3X3X10	250# D.I.	427062-031	
4X4X10	125# C.I.	427063-011	
4X4X10	250# D.I.	427064-031	

NOTES: C.I.\* DENOTES CAST IRON and D.I.\* DENOTES DUCTILE IRON

For other constructions change the suffix to the following:

ALL BRONZE CONSTRUCTION -041

STAINLESS STEEL CONSTRUCTION -071

\*\* CASING PART NUMBERS ARE FOR CASING ONLY, CASING WEAR RING IS SOLD SEPARATELY

CASINGS CONTINUED ON PAGE 5

# VERTICAL IN-LINE MODEL 4380 PUMP PARTS

EQUAL SUCTION AND DISCHARGE

"M" SIZE - 1 1/4" IMPELLER BORE - 1 5/8" MECHANICAL SEAL

<b>ITEM 101 CASING** ( cont'd )</b>			
PUMP SIZE	MATERIAL	PART NUMBER	BAR CODE
6X6X10	125# C.I.	427065-011	
6X6X10	250# D.I.	427066-031	
8X8X10	125# C.I.	427067-011	
8X8X10	250# D.I.	427068-031	
4X4X11 1/2	125# C.I.	426119-011	
4X4X11 1/2	250# D.I.	426120-031	
5X5X11 1/2	125# C.I.	426123-011	
5X5X11 1/2	250# D.I.	426124-031	
6X6X11 1/2	125# C.I.	426127-011	
6X6X11 1/2	250# D.I.	426128-031	
8X8X11 1/2	125# C.I.	426131-011	
8X8X11 1/2	250# D.I.	426132-031	
3x3x13	125# C.I.	427071-011	
3x3x13	250# D.I.	427072-031	
4x4x13	125# C.I.	427073-011	
4x4x13	250# D.I.	427074-031	
6x6x13 <sup>†</sup>	125# C.I.	427183-011	
6x6x13 <sup>†</sup>	250# D.I.	427184-031	
6x6x13H	125# C.I.	427183-017	
6x6x13H	250# D.I.	427184-037	
8x8x13	125# C.I.	427077-011	
8x8x13	250# D.I.	427078-031	

NOTES: C.I.\* DENOTES CAST IRON and D.I.\* DENOTES DUCTILE IRON

For other constructions change the suffix to the following:

ALL BRONZE CONSTRUCTION -041

STAINLESS STEEL CONSTRUCTION -071

\*\* CASING PART NUMBERS ARE FOR CASING ONLY, CASING WEAR RING IS SOLD SEPARATELY.

† For 6x6x13 units pre-June 2011, casing & impeller must be replaced together. Contact Armstrong for details.

# VERTICAL IN-LINE MODEL 4380 PUMP PARTS

EQUAL SUCTION AND DISCHARGE

"M" SIZE - 1 1/4" IMPELLER BORE - 1 5/8" MECHANICAL SEAL

<b>ITEM 101 CASING GASKET</b>		
PUMP SIZE	PART NUMBER	BAR CODE
<b>1 1/2 X 1 1/2 X 6 4 X 4 X 6W</b>	<b>426401-002</b>	
<b>2 X 2 X 8 3 X 3 X 8 4 X 4 X 8 5 X 5 X 8 6 X 6 X 8W 8 X 8 X 8</b>	<b>426401-003</b>	
<b>1.5 X 1.5 X 10 2 X 2 X 10 3 X 3 X 10 4 X 4 X 10 6 X 6 X 10 8 X 8 X 10</b>	<b>426401-004</b>	
<b>4 X 4 X 11 1/2 5 X 5 X 11 1/2 6 X 6 X 11 1/2 8 X 8 X 11 1/2</b>	<b>426401-006</b>	
<b>3 X 3 X 13 4 X 4 X 13 6 x 6 x 13 6 x 6 x 13H 8 X 8 X 13</b>	<b>426401-005</b>	

**VERTICAL IN-LINE  
MODEL 4380  
PUMP PARTS  
EQUAL SUCTION AND DISCHARGE**

"M" SIZE - 1 1/4" IMPELLER BORE - 1 5/8" MECHANICAL SEAL

<b>ITEM 104 CASING CAPSCREW &amp; WASHER</b>				
<b>PUMP SIZE</b>	<b>NO. REQ'D</b>	<b>SIZE</b>	<b>PART NUMBER</b>	<b>BAR CODE</b>
<b>4 X 4 X 6</b>	<b>8</b>	<b>CAPSCREW 1/2" - 13NC X 1 1/4"LG.</b>	<b>911125-110</b>	
	<b>8</b>	<b>WASHER 1/2" - SAE FLAT</b>	<b>927117-100</b>	
<b>1 1/2 X 1 1/2 X 8 3 X 1 1/2 X 8 2 X 2 X 8 4 X 4 X 8 5 X 5 X 8 6 X 6 X 8 8 X 8 X 8</b>	<b>8</b>	<b>HX. HD. CAPSCREW 5/8" - 11NC X 1 1/2"LG.</b>	<b>911129-112</b>	
	<b>8</b>	<b>WASHER 5/8" - SAE FLAT</b>	<b>927121-100</b>	
<b>1.5 X 1.5 X 10 2 X 2 X 10 3 X 3 X 10 4 X 4 X 10 6 X 6 X 10 8 X 8 X 10</b>	<b>12</b>	<b>CAPSCREW 5/8" - 11NC X 1 1/2"LG.</b>	<b>911129-112</b>	
	<b>12</b>	<b>WASHER 5/8 - SAE FLAT</b>	<b>927121-100</b>	
<b>4 X 4 X 11 1/2 5 X 5 X 11 1/2 6 X 6 X 11 1/2 8 X 8 11 1/2</b>	<b>12</b>	<b>CAPSCREW 1/2" - 13NC X 1 1/2"LG.</b>	<b>911125-112</b>	
	<b>12</b>	<b>WASHER 1/2" - SAE FLAT</b>	<b>927117-100</b>	
<b>3 X 3 X 13 4 X 4 X 13 6 x 6 x 13 6 x 6 x 13H 8 X 8 X 13</b>	<b>16</b>	<b>CAPSCREW 5/8" - 11NC X 1 1/2"LG.</b>	<b>911129-112</b>	
	<b>16</b>	<b>WASHER 5/8 - SAE FLAT</b>	<b>927121-100</b>	

# VERTICAL IN-LINE MODEL 4380 PUMP PARTS

EQUAL SUCTION AND DISCHARGE

"M" SIZE - 1 1/4" IMPELLER BORE - 1 5/8" MECHANICAL SEAL

<b>ITEM 105 CASING DRAIN PLUG</b>					
PUMP SIZE	MATERIAL	NO. REQ'D	SIZE	PART NUMBER	BAR CODE
4X4X6	CAD PLATED	1	1/4" NPT	937105-201	
2X2X8					
3X3X8					
4X4X8					
8X8X8					
5X5X8					
1.5 X 1.5 X 10					
2X2X10					
3X3X10					
4X4X10					
8X8X10					
4X4X11 1/2					
5X5X11 1/2					
3X3X13					
4X4X13					
5X5X8	CAD PLATED	1	1/2"NPT	937105-203	
6X6X10					
6X6X11 1/2					
8X8X11 1/2					
6 x 6 x 13					
6 x 6 x 13H					
8X8X13					

# VERTICAL IN-LINE MODEL 4380 PUMP PARTS

EQUAL SUCTION AND DISCHARGE

"M" SIZE - 1 1/4" IMPELLER BORE - 1 5/8" MECHANICAL SEAL

<b>ITEM 90 CASE WEAR RING</b>				
PUMP SIZE	CONST.	MATERIAL	PART NUMBER	BAR CODE
4X4X6	AB-BF	SAE 660 BRONZE	426413-404	
4X4X6	AI-DI	CLASS 30 C.I.	426413-104	
1 1/2X1 1/2X8	AB-BF	SAE 660 BRONZE	426413-402	
1 1/2X1 1/2X8	AI-DI	CLASS 30 C.I.	426413-102	
2X2X8	AB-BF	SAE 660 BRONZE	426413-404	
2X2X8	AI-DI	CLASS 30 C.I.	426413-104	
3X3X8	AB-BF	SAE 660 BRONZE	426413-407	
3X3X8	AI-DI	CLASS 30 C.I.	426413-107	
4X4X8	AB-BF	SAE 660 BRONZE	426413-410	
4X4X8	AI-DI	CLASS 30 C.I.	426413-110	
5X5X8	AB-BF	SAE 660 BRONZE	426413-413	
5X5X8	AI-DI	CLASS 30 C.I.	426413-113	
6X6X8	AB-BF	SAE 660 BRONZE	426413-404	
6X6X8	AI-DI	CLASS 30 C.I.	426413-104	
1.5X1.5X10	AB-BF	SAE 660 BRONZE	426416-402	
1.5X1.5X10	AI-DI	CLASS 30 C.I.	426416-102	
2X2X10	AB-BF	SAE 660 BRONZE	426413-404	
2X2X10	AI-DI	CLASS 30 C.I.	426413-104	
3X3X10	AB-BF	SAE 660 BRONZE	426413-404	
3X3X10	AI-DI	CLASS 30 C.I.	426413-104	
4X4X10	AB-BF	SAE 660 BRONZE	426413-408	
4X4X10	AI-DI	CLASS 30 C.I.	426413-108	

WEAR RINGS CONTINUED ON PAGE 10

# VERTICAL IN-LINE MODEL 4380 PUMP PARTS

EQUAL SUCTION AND DISCHARGE

"M" SIZE - 1 1/4" IMPELLER BORE - 1 5/8" MECHANICAL SEAL

## ITEM 90 CASE WEAR RING ( cont'd )

PUMP SIZE	CONST.	MATERIAL	PART NUMBER	BAR CODE
6X6X10	AB-BF	SAE 660 BRONZE	426413-412	
6X6X10	AI-DI	CLASS 30 C.I.	426413-112	
8X8X10	AB-BF	SAE 660 BRONZE	426413-414	
8X8X10	AI-DI	CLASS 30 C.I.	426413-114	
4X4X11 1/2	AB-BF	SAE 660 BRONZE	426412-405	
4X4X11 1/2	AI-DI	CLASS 30 C.I.	426412-105	
5X5X11 1/2	AB-BF	SAE 660 BRONZE	426412-411	
5X5X11 1/2	AI-DI	CLASS 30 C.I.	426412-111	
6X6X11 1/2	AB-BF	SAE 660 BRONZE	426412-420	
6X6X11 1/2	AI-DI	CLASS 30 C.I.	426412-120	
8X8X11 1/2	AB-BF	SAE 660 BRONZE	426412-421	
8X8X11 1/2	AI-DI	CLASS 30 C.I.	426412-121	
3x3x13	AB-BF	SAE 660 BRONZE	426413-409	
3x3x13	AI-DI	CLASS 30 C.I.	426413-109	
4X4X13	AB-BF	SAE 660 BRONZE	426413-412	
4X4X13	AI-DI	CLASS 30 C.I.	426413-112	
6 x 6 x 13	BF	SAE 660 BRONZE	426412-420	
6 x 6 x 13H				
8X8X13	AB-BF	SAE 660 BRONZE	426413-415	
8X8X13	AI-DI	CLASS 30 C.I.	426413-115	

# VERTICAL IN-LINE MODEL 4380 PUMP PARTS

EQUAL SUCTION AND DISCHARGE

"M" SIZE - 1 1/4" IMPELLER BORE - 1 5/8" MECHANICAL SEAL

<b>ITEM 102 IMPELLER** 1 1/4" BORE</b>					
PUMP SIZE	MATERIAL	IMP. BORE	MAX. DIA.	PART NUMBER	BAR CODE
4X4X6	BRONZE	1 1/4"	6	427116-041	
4X4X6	CAST IRON	1 1/4"	6	427116-011	
1 1/2X1 1/2X8	BRONZE	1 1/4"	8	427120-041	
1 1/2X1 1/2X8	CAST IRON	1 1/4"	8	427120-011	
2X2X8	BRONZE	1 1/4"	8	427122-041	
2X2X8	CAST IRON	1 1/4"	8	427122-011	
3X3X8	BRONZE	1 1/4"	8	427130-041	
3X3X8	CAST IRON	1 1/4"	8	427130-011	
4X4X8	BRONZE	1 1/4"	8	427138-041	
4X4X8	CAST IRON	1 1/4"	8	427138-011	
5X5X8	BRONZE	1 1/4"	8	427132-041	
5X5X8	CAST IRON	1 1/4"	8	427132-011	
6X6X8	BRONZE	1 1/4"	8	427140-041	
6X6X8	CAST IRON	1 1/4"	8	427140-011	
8X8X8	BRONZE	1 1/4"	8	427918-041	
8X8X8	CAST IRON	1 1/4"	8	427918-011	
1.5X1.5X10	BRONZE	1 1/4"	10	426256-041	
1.5X1.5X10	CAST IRON	1 1/4"	10	426256-011	
2X2X10	BRONZE	1 1/4"	10	427152-041	
2X2X10	CAST IRON	1 1/4"	10	427152-011	
3X3X10	BRONZE	1 1/4"	10	427164-041	
3X3X10	CAST IRON	1 1/4"	10	427164-011	
4X4X10	BRONZE	1 1/4"	10	427150-041	
4X4X10	CAST IRON	1 1/4"	10	427150-011	

**NOTES:**

\*\* Impeller Part Numbers are for full or maximum diameter Impellers. Always specify Pump Serial Number and where possible, measure and the diameter of the Impeller being replaced on these Pumps.

**IMPELLERS CONTINUED ON PAGE 12**

# VERTICAL IN-LINE MODEL 4380 PUMP PARTS

EQUAL SUCTION AND DISCHARGE

"M" SIZE - 1 1/4" IMPELLER BORE - 1 5/8" MECHANICAL SEAL

## ITEM 102 IMPELLER\*\* 1 1/4" BORE ( cont'd )

PUMP SIZE	MATERIAL	IMP. BORE	MAX. DIA.	PART NUMBER	BAR CODE
6X6X10	BRONZE	1 1/4"	10"	427154-041	
6X6X10	CAST IRON	1 1/4"	10"	427154-011	
8X8X10	BRONZE	1 1/4"	10"	427157-041	
8X8X10	CAST IRON	1 1/4"	10"	427157-011	
4X4X11 1/2	BRONZE	1 1/4"	11 1/2"	426282-041	
4X4X11 1/2	CAST IRON	1 1/4"	11 1/2"	426282-011	
5X5X11 1/2	BRONZE	1 1/4"	11 1/2"	426284-041	
5X5X11 1/2	CAST IRON	1 1/4"	11 1/2"	426284-011	
6X6X11 1/2	BRONZE	1 1/4"	11 1/2"	426288-041	
6X6X11 1/2	CAST IRON	1 1/4"	11 1/2"	426288-011	
8X8X11 1/2	BRONZE	1 1/4"	11 1/2"	426289-041	
8X8X11 1/2	CAST IRON	1 1/4"	11 1/2"	426289-011	
3x3x13	BRONZE	1 1/4"	13	427165-041	
3x3x13	CAST IRON	1 1/4"	13	427165-011	
4x4x13	BRONZE	1 1/4"	13	427169-041	
4x4x13	CAST IRON	1 1/4"	13	427169-011	
6x6x13 <sup>†</sup>	BRONZE	1 1/4"	13	427182-041	
6x6x13H	BRONZE	1 1/4"	13	427177-041	
8x8x13	BRONZE	1 1/4"	13	427177-041	
8x8x13	CAST IRON	1 1/4"	13	427177-011	

**NOTES:**

\*\* Impeller Part Numbers are for full or maximum diameter Impellers. Always specify Pump Serial Number and where possible, measure and advise the diameter of the Impeller being replaced on these Pumps.

† For 6x6x13 units pre-June 2011, casing & impeller must be replaced together. Contact Armstrong for details.

# VERTICAL IN-LINE MODEL 4380 PUMP PARTS

EQUAL SUCTION AND DISCHARGE

"M" SIZE - 1 1/4" IMPELLER BORE - 1 5/8" MECHANICAL SEAL

<b>ITEM 40 &amp; 50 COMB. STUFF. BOX &amp; ADAPTER</b>				
PUMP SIZE	MOTOR FRAME			
	254-256JM	284-326JM	213-215JP	284-326JP
4X4X6	426748-011			
1 1/2X1 1/2X8			426750-011	
2X2X8	426751-011	426752-011	426750-011	
3X3X8	426751-011	426752-011	426750-011	
4X4X8	426751-015		426750-015	
5X5X8	426751-015	426752-015	426750-015	
6X6X8	426751-015		426750-015	
8x8x8	426751-011		426750-011	
1.5X1.5X10	426755-011		426754-011	426756-011
2X2X10	426755-011		426754-011	426756-011
3X3X10	426755-011		426754-011	426756-011
4X4X10	426755-015		426754-015	
6X6X10	426755-011		426754-011	426756-011
8X8X10	426755-011		426754-011	426756-011
4X4X11 1/2	426742-011		426743-011	426744-011
5X5X11 1/2	426742-011		426743-011	426744-011
6X6X11 1/2	426742-011		426743-011	426744-011
8X8X11 1/2	426742-011			426744-011

The above Part Numbers are for B.F. and A.I. Construction, the suffix will change for other Constructions as follows:  
 Ductile Iron Construction -031 for -011 and -035 for -015  
 All Bronze Construction -041 for -011 and -045 for -015  
 Stainless Steel Construction -071 for -011 and -075 for -015

CONTINUED ON PAGE 14  
SEE PAGE 14 FOR BAR CODES

# VERTICAL IN-LINE

## MODEL 4380

### PUMP PARTS

EQUAL SUCTION AND DISCHARGE

"M" SIZE - 1 1/4" IMPELLER BORE - 1 5/8" MECHANICAL SEAL

<b>ITEM 40 &amp; 50 COMB. STUFF. BOX &amp; ADAPTER ( cont'd )</b>				
<b>PUMP SIZE</b>	<b>MOTOR FRAME</b>			
	<b>254-256JM</b>	<b>284-326JM</b>	<b>213-215JP</b>	<b>284-326JP</b>
<b>3X3X13</b>	<b>426759-011</b>		<b>SEE BELOW</b>	<b>426758-011</b>
<b>4X4X13</b>	<b>426759-011</b>	<b>PLEASE CONSULT FACTORY</b>	<b>SEE BELOW</b>	<b>426758-011</b>
<b>6X6X13</b>	<b>426759-011</b>			<b>426758-011</b>
<b>8X8X13</b>	<b>426759-011</b>			<b>426758-011</b>

<b>BAR CODES</b>			
<b>426742-011</b>		<b>426752-011</b>	
<b>426743-011</b>		<b>426752-015</b>	
<b>426744-011</b>		<b>426754-011</b>	
<b>426748-011</b>		<b>426754-015</b>	
<b>426750-011</b>		<b>426755-011</b>	
<b>426750-015</b>		<b>426755-015</b>	
<b>426751-011</b>		<b>426756-011</b>	
<b>426751-015</b>		<b>426758-011</b>	

<b>ITEM 50 STUFFING BOX</b>		
<b>PUMP SIZE</b>	<b>MOTOR FRAME</b>	<b>BAR CODE</b>
	<b>213-215JP</b>	
<b>3 X 3 X 13</b> <b>4 X 4 X 13</b>	<b>426545-011</b>	

The above Part Numbers are for B.F. and A.I. Construction, the suffix will change for other Constructions as follows

Ductile Iron Construction -031 for -011 and -035 for -015

All Bronze Construction -041 for -011 and -045 for -015

Stainless Steel Construction -071 for -011 and -075 for -015

<b>ITEM 40 ADAPTER</b>		
<b>PUMP SIZE</b>	<b>MOTOR FRAME</b>	<b>BAR CODE</b>
	<b>213-215JP</b>	
<b>3 X 3 X 13</b> <b>4 X 4 X 13</b>	<b>426388-011</b>	

# VERTICAL IN-LINE MODEL 4380 PUMP PARTS

EQUAL SUCTION AND DISCHARGE

"M" SIZE - 1 1/4" IMPELLER BORE - 1 5/8" MECHANICAL SEAL

<b>ITEM 43 &amp; 44 MOTOR CAPS. &amp; WASHER</b>							
PUMP SIZE	MOTOR FRAME						
	254-256JM	284-326JM	213-215JP	284-326JP			
	4 REQUIRED	4 REQUIRED	4 REQUIRED	4 REQUIRED			
4 X 4 X 6	CAPSCREW 1/2"-13NC 1 1/4" LONG 911125-110	CAPSCREW 5/8"-11NC 1 1/4" LONG 911129-110	CAPSCREW 1/2"-13NC 1 1/4" LONG 911125-110	CAPSCREW 5/8"-11NC 1 1/4" LONG 911129-110			
1 1/2 X 1 1/2 X 8							
2 X 2 X 8							
3 X 3 X 8							
4 X 4 X 8							
5 X 5 X 8							
6 X 6 X 8							
8 X 8 X 8							
1.5X1.5X10		C O N S U L T  F A C T O R Y			WASHER 5/8" FLAT 927121-100	WASHER 1/2" FLAT 927117-100	WASHER 5/8" FLAT 927121-100  927121-100
2 X 2 X 10							
3 X 3 X 10							
3 X 3 X 10							
4 X 4 X 10							
6 X 6 X 10							
8 X 8 X 10							
4 X 4 X 11 1/2							
5 X 5 X 11 1/2							
6 X 6 X 11 1/2							
8 X 8 X 11 1/2							
3 X 3 X 13	CAPSCREW 5/8"-11NC 1 3/4" LONG 911129-114	WASHER 5/8" FLAT 927121-100	WASHER 5/8" FLAT 927121-100	WASHER 5/8" FLAT 927121-100			
4 X 4 X 13							
6 X 6 X 13							
8 X 8 X 13							

<b>BAR CODES</b>			
911125-110		911129-114	
911129-110		927117-100	
911129-112		927121-100	

# VERTICAL IN-LINE MODEL 4380 PUMP PARTS

EQUAL SUCTION AND DISCHARGE

"M" SIZE - 1 1/4" IMPELLER BORE - 1 5/8" MECHANICAL SEAL

<b>COMMON PARTS</b>				
ITEM NO.	DESCRIPTION	CONST.	PART NUMBER	BAR CODE
70	SHAFT SLEEVE FRAMES 254-256 & 284-326JM	B.F.	425869-003	
70	SHAFT SLEEVE FRAMES 254-256 & 284-326JM	A.I.	425869-004	
70	SHAFT SLEEVE FRAMES 213-215 & 284-326JP	B.F.	425869-021	
70	SHAFT SLEEVE FRAMES 213-215 & 284-326JP	A.I.	425869-022	
62	MECHANICAL SEAL KIT	ALL	975000-984**	
71	SLEEVE SPACER	ALL	425868-004	
39	WATER SLINGER	ALL	419315-000	
83	IMPELLER WASHER	ALL	425742-003	
84	IMPELLER LOCKWASHER	ALL	927213-400	
86	IMPELLER CAPSCREW	ALL	911900-119	

\*\* For liquids above 200°F/93°C use 9975001-833 (-633 if potable drinking water above 200°F/93°C)  
For glycols above 30% by weight use 9975001-837 (-838 if above 200°F/93°C)

**VERTICAL IN-LINE  
MODEL 4380  
PUMP PARTS**

**EQUAL SUCTION AND DISCHARGE**

**"M" SIZE - 1 1/4" IMPELLER BORE - 1 5/8" MECHANICAL SEAL**

**ITEMS 70 & 71 SHAFT SLEEVE & SPACER KITS**

ITEM	DESCRIPTION	CONST.	PART	BAR CODE
70 & 71	SHAFT SLV. & SPACER KIT FRAMES 254-256 & 284-326JM	B.F.	810150-154	
70 & 71	SHAFT SLV. & SPACER KIT FRAMES 254-256 & 284-326JM	A.I.	810150-155	
70 & 71	SHAFT SLV. & SPACER KIT FRAMES 213-215 & 284-326JP	B.F.	810150-152	
70 & 71	SHAFT SLV. & SPACER KIT FRAMES 213-215 & 284-3JP26	A.I.	810150-153	

**VERTICAL IN-LINE  
MODEL 4380  
PUMP PARTS**

**EQUAL SUCTION AND DISCHARGE**

**"M" SIZE - 1 1/4" IMPELLER BORE - 1 5/8" MECHANICAL SEAL**

**ITEM 57 & 58 MALE CONNECTOR\*\***

PUMP SIZE	NO. REQ'D.	MAT.	SIZE	CONST.	PART NUMBER	BAR CODE
ALL	1	BRASS	3/8" TUBE X 1/4"NPT	B.F./A.B.	939001-114	
ALL	1	STEEL	3/8" TUBE X 1/4"NPT	A.I.	939001-214	

**ITEM 59 FLUSH LINE TUBING\*\***

PUMP SIZE	NO. REQ'D.	MAT.	SIZE	CONST.	PART NUMBER	BAR CODE
4X4X6 TO 8X8X13	1	COPPER	3/8" OD X 12"LG.	B.F./A.B.	997531-004	
		STEEL		A.I.	997153-004	

**ITEM 102 GAUGE PLUG**

PUMP SIZE	NO. REQ'D	MAT.	SIZE	CONST.	PART NUMBER	BAR CODE
ALL	4	CAD. PLTD. STEEL	1/4" NPT	ALL	937105-201	