



FILE NO.:	6040.120
DATE:	January 5, 2012
SUPERSEDES:	6040.120
DATE:	Oct. 25 2011

PARTS LIST

SERIES 4030

BASE MOUNTED PUMP

CENTERLINE DISCHARGE
"S" DESIGNATION

7/8" IMPELLER BORE -- 1-1/4" MECHANICAL SEAL

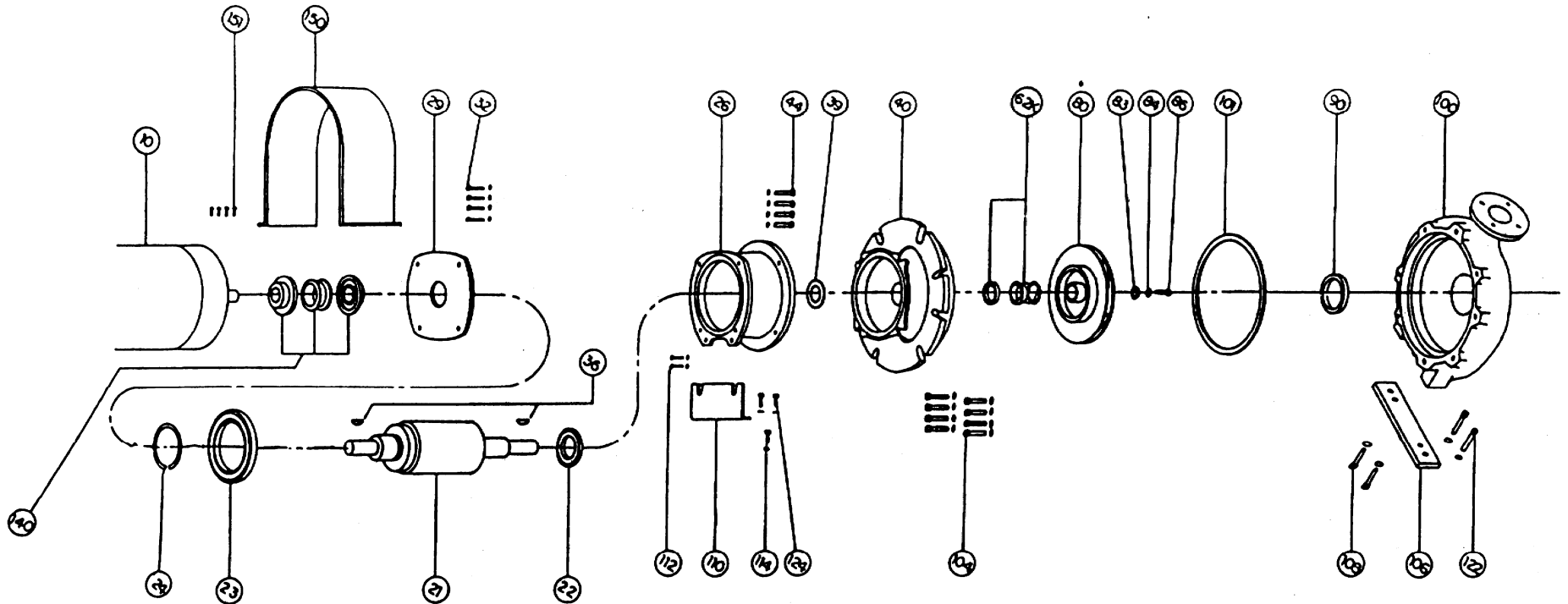
NEW DESIGN

NEMA FRAME ASSIGNMENTS

OPEN & TEFC (TEFC FRAMES IN GREY BOX WHERE DIFFERENT THAN OPEN)

NEMA FRAME PROGRAM HP	3600 RPM						1800 RPM						1200 RPM			900 RPM		
	"T"		"U"		ORIGINAL		"T"		"U"		ORIGINAL		"T"	"U"	ORIGINAL	"T"	"U"	ORIGINAL
	FRAMES	FRAMES	FRAMES	FRAMES	NEMA	NEMA	FRAMES	FRAMES	FRAMES	FRAMES	NEMA	NEMA	FRAMES	FRAMES	FRAMES	FRAMES	FRAMES	FRAMES
	1964	1952	1964	1952	FRAMES	FRAMES	1964	1952	1964	1952	FRAMES	FRAMES	1964	1952	FRAMES	1964	1952	FRAMES
	-	-	-	-			143T	182	203			145T	184	204	182T	213	225	
1 1/2	143T	182	203				145T	184	204			182T	184	224	184T	213	254	
2	145T	184	204				145T	184	224			184T	213	225	213T	215	254	
3	145T	182T	184	224			182T	213	225			213T	215	254	215T	254U	284	
5	182T	184T	213	225			184	215	254			215T	254U	284	254T	256U	324	
7 1/2	184T	213T	215	254			213T	254U	284			254T	256U	324	256T	284U	326	
10	213T	215T	254U	284			215T	256U	324			256T	284	326	284T	286U	364	
15	215T	254T	256U	324			254T	284T	326			284T	234T	364	286T	326U	365	
20	254T	256T	284U	286U	326		256T	286U	364			286T	326U	365	324T	364U	404	
25	256T	284TS	286U	324U	364S	365S	284T	324U	364	365		324T	364U	404	326T	365U	405	
30	284TS	286TS	324S	326S	364S	404S	286T	326U	365	404		326T	365U	405	364T	404U	444	
40	286TS	324TS	326S	364US	365S	405S	324T	364U	404	405		364T	404U	444	365T	405U	445	
50	324TS	326TS	364US	404S	444S		326T	365US	405S	444S		365T	405U	445	404T	444U	504U	
60	326TS	364TS	365US	405US	405S	445S	364TS	404US	405US	444S	445S	404T	444U	504U	405T	445U	505	
75	364TS	365TS	404US	444US	444S	504S	365TS	405US	444US	445S	504S	405T	445U	505	444T	-	-	
100	365TS	405TS	405US	445US	445S	505S	404TS	405TS	444US	445US	504S	505S	444T	-	-	445T	-	-
125	404TS	444TS	444US	504US	504US		405TS	444TS	445US	505S			445T	-	-	-	-	-
150	405TS	445TS	445US	505S	505S		444TS	445TS	-	-			-	-	-	-	-	-
200	444TS	-	-	-	-		445TS	-	-	-			-	-	-	-	-	-
250	445TS	-	-	-	-		-	-	-	-			-	-	-	-	-	-

**SERIES 4030 CENTERLINE DISCHARGE, BASE MOUNTED PUMP
 "S" SIZE 7/8" IMPELLER BORE -- 1 1/4" MECHANICAL SEAL
 EXPLODED VIEW -- PERMANENT GREASE LUBRICATION**



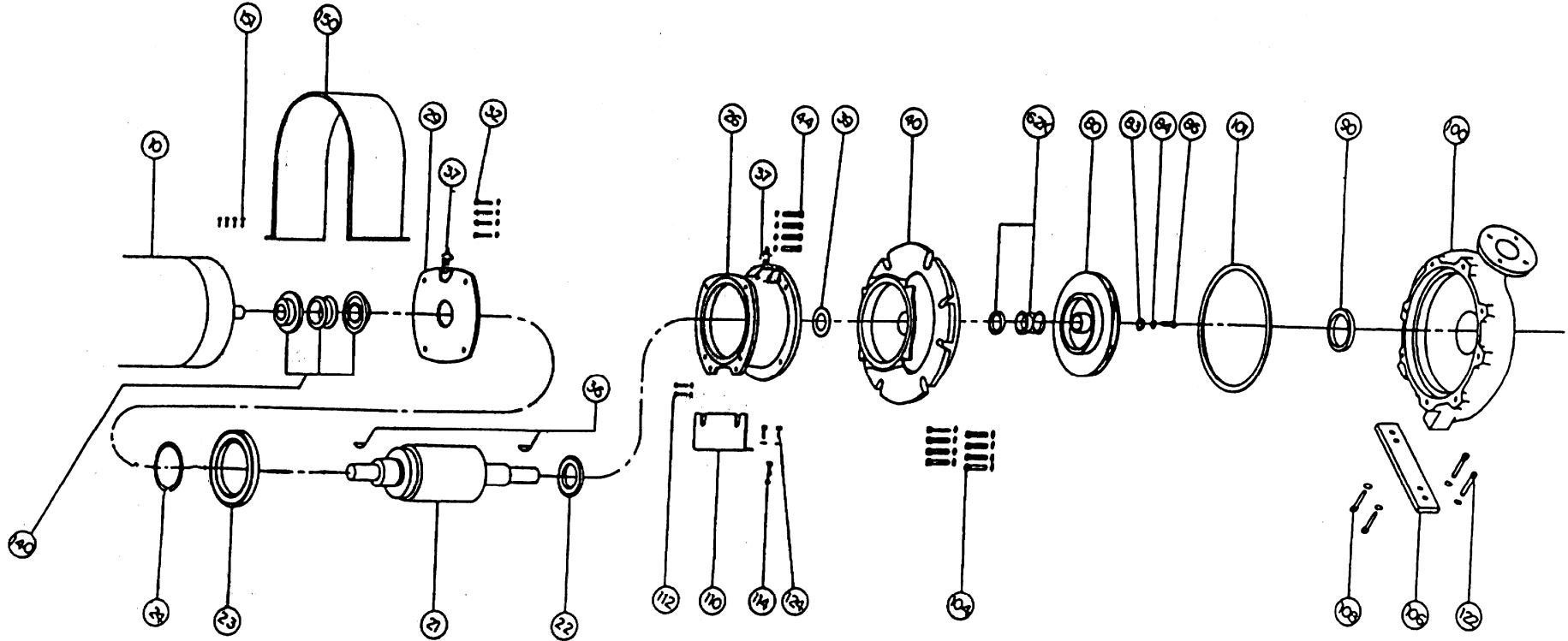
"S" BEARING FRAME EXPLODED VIEW (See Below)

FOR "S" BEARING FRAME: Item 110 is a 2 - bolt bracket as opposed to the 4 - bolt bracket. Item 114 is eliminated on the "S" Bearing Frame

INDEX

ITEM	DESCRIPTION	PAGE	ITEM	DESCRIPTION	PAGE	ITEM	DESCRIPTION	PAGE
**	BRG. FRAME ASSY.	17 TO 22	62K	MECHANICAL SEAL ASSEMBLY	17 TO 22	39	WATER SLINGER	17 TO 22
100	CASING	6, 7 AND 8	20	BEARING HOUSING	17 TO 22	110	BEARING HOUSING SUPPORT FOOT	23
80	IMPELLER	9 AND 10	22	BALL BEARING (INBOARD)	17 TO 22	106	CASING SUPPORT FOOT	25
101	CASING GASKET	15	23	BALL BEARING (OUTBOARD)	17 TO 22	108	CASING SUPPORT FOOT CAPSCREW	26
104	CASING CAPSCREW	11	24	SNAP RING	17 TO 22	122	CASING CAPSCREWS	24
86	IMPELLER CAPSCREW	17 TO 22	29	BEARING COVER	17 TO 22	112	SUPPORT FOOT CAPSCREW (UPPER)	24
83	IMPELLER WASHER	17 TO 22	32	BEARING COVER CAPSCREW	17 TO 22	124	SUPPORT FOOT CAPSCREW (LOWER)	27 AND 28
40	ADAPTER	12, 13 AND 14	21	SHAFT ASSEMBLY	17 TO 22	**	COUPLER	
44	ADAPTER CAPSCREW	16	36	IMPELLER/COUPLER KEY	17 TO 22			

**SERIES 4030 CENTERLINE DISCHARGE, BASE MOUNTED PUMP
 "S" SIZE 7/8" IMPELLER BORE -- 1 1/4" MECHANICAL SEAL
 EXPLODED VIEW -- REGREASEABLE BEARINGS**



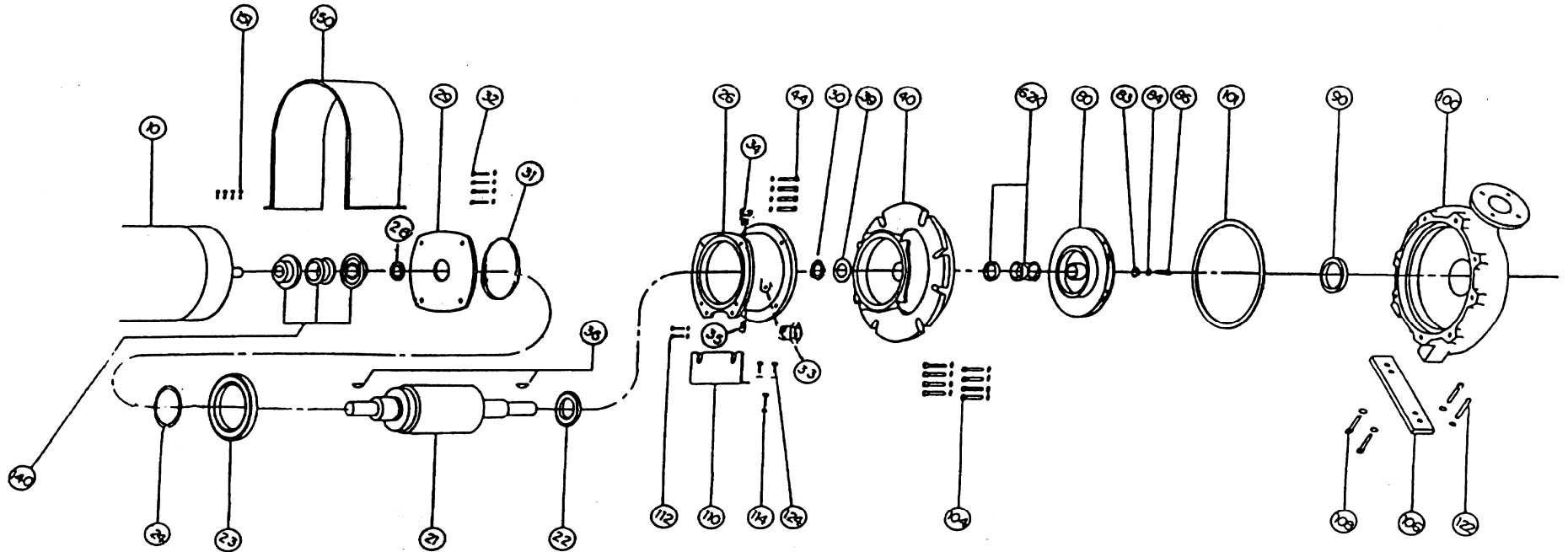
"S" BEARING FRAME EXPLODED VIEW (See Below)

FOR "S" BEARING FRAME: Item 110 is a 2 - bolt bracket as opposed to the 4 - bolt bracket. Item 114 is eliminated on the "S" Bearing Frame

INDEX

ITEM	DESCRIPTION	PAGE	ITEM	DESCRIPTION	PAGE	ITEM	DESCRIPTION	PAGE
**	BRG. FRAME ASSY.	17 TO 22	62K	MECHANICAL SEAL ASSEMBLY	17 TO 22	37	GREASE FITTING	17 TO 22
100	CASING	6, 7 AND 8	20	BEARING HOUSING	17 TO 22	39	WATER SLINGER	17 TO 22
80	IMPELLER	9 AND 10	22	BALL BEARING (INBOARD)	17 TO 22	110	BEARING HOUSING SUPPORT FOOT	23
101	CASING GASKET	15	23	BALL BEARING (OUTBOARD)	17 TO 22	106	CASING SUPPORT FOOT	23
104	CASING CAPSCREW	11	24	SNAP RING	17 TO 22	108	CASING SUPPORT FOOT CAPSCREW	25
86	IMPELLER CAPSCREW	17 TO 22	29	BEARING COVER	17 TO 22	122	CASING CAPSCREWS	26
83	IMPELLER WASHER	17 TO 22	32	BEARING COVER CAPSCREW	17 TO 22	112	SUPPORT FOOT CAPSCREW (UPPER)	24
40	ADAPTER	12, 13 AND 14	21	SHAFT ASSEMBLY	17 TO 22	124	SUPPORT FOOT CAPSCREW (LOWER)	24
44	ADAPTER CAPSCREW	16	36	IMPELLER/COUPLER KEY	17 TO 22	**	COUPLER	27 AND 28

**SERIES 4030 CENTERLINE DISCHARGE, BASE MOUNTED PUMP
"S" SIZE 7/8" IMPELLER BORE -- 1 1/4" MECHANICAL SEAL
EXPLODED VIEW -- OIL LUBRICATION**



"S" BEARING FRAME EXPLODED VIEW (See Below)

FOR "S" BEARING FRAME: Item 110 is a 2 - bolt bracket as opposed to the 4 - bolt bracket. Item 114 is eliminated on the "S" Bearing Frame

INDEX

ITEM	DESCRIPTION	PAGE	ITEM	DESCRIPTION	PAGE	ITEM	DESCRIPTION	PAGE
**	BRG. FRAME ASSY.	17 TO 22	21	SHAFT ASSEMBLY	17 TO 22	35	PIPE PLUG	17 TO 22
100	CASING	6, 7 AND 8	22	BALL BEARING (INBOARD)	17 TO 22	36	IMPELLER/COUPLER KEY	17 TO 22
80	IMPELLER	9 AND 10	23	BALL BEARING (OUTBOARD)	17 TO 22	39	WATER SLINGER	17 TO 22
101	CASING GASKET	15	28	OIL SEAL (OUTBOARD)	17 TO 22	110	BEARING HOUSING SUPPORT FOOT	23
104	CASING CAPSCREW	11	24	SNAP RING	17 TO 22	106	CASING SUPPORT FOOT	23
86	IMPELLER CAPSCREW	17 TO 22	29	BEARING COVER	17 TO 22	108	CASING SUPPORT FOOT CAPSCREW	25
83	IMPELLER WASHER	17 TO 22	30	OIL SEAL (INBOARD)	17 TO 22	122	CASING CAPSCREWS	26
40	ADAPTER	12, 13 AND 14	32	BEARING COVER CAPSCREW	17 TO 22	112	SUPPORT FOOT CAPSCREW (UPPER)	24
44	ADAPTER CAPSCREW	16	31	"O" RING	17 TO 22	124	SUPPORT FOOT CAPSCREW (LOWER)	24
62K	MECHANICAL SEAL ASSY	17 TO 22	33	OIL VIEW GAUGE	17 TO 22	**	COUPLER	27 AND 28
20	BEARING HOUSING	17 TO 22	34	VENT FITTING	17 TO 22			

4030 PUMP PARTS

CENTERLINE DISCHARGE

"S" SIZE 7/8" IMPELLER BORE ----- 7/8" SHAFT DIAMETER AT COUPLER

1 1/4" MECHANICAL SEAL

ITEM 100 CASING

PUMP SIZE	PRESSURE RATING	CONST.	PART NUMBER	BAR CODE
1 1/2 X 1 X 6	125 LB.	C.I.	426101-011	
1 1/2 X 1 X 6	250 LB.	D.I	426102-031	
1 1/2 X 1 X 6	125 LB.	A.B.	426101-041	
3 X 1 1/2 X 6	125 LB.	C.I.	426597-011	
3 X 1 1/2 X 6	250 LB.	D.I	426598-031	
3 X 1 1/2 X 6	125 LB.	A.B.	426597-041	
3 X 2 X 6	125 LB.	C.I.	426109-011	
3 X 2 X 6	250 LB.	D.I	426110-031	
3 X 2 X 6	125 LB.	A.B.	426109-041	
3 X 2 1/2 X 6	125 LB.	C.I.	427107-011	
3 X 2 1/2 X 6	250 LB.	D.I	427108-031	
3 X 2 1/2 X 6	125 LB.	A.B.	427107-041	
4 X 3 X 6	125 LB.	C.I.	427292-011	
4 X 3 X 6	250 LB.	D.I	427292-031	
4 X 3 X 6	125 LB.	A.B.	427292-041	
6 X 6 X 6	125 LB.	C.I.	427907-041	
6 X 6 X 6	250 LB.	D.I	427908-031	
6 X 6 X 6	125 LB.	A.B.	427907-041	
1 1/2 X 1 X 8	125 LB.	C.I.	426188-011	
1 1/2 X 1 X 8	250 LB.	D.I	426189-031	
1 1/2 X 1 X 8	125 LB.	A.B.	426188-041	
3 X 1 1/2 X 8	125 LB.	C.I.	426599-011	
3 X 1 1/2 X 8	250 LB.	D.I	426600-031	
3 X 1 1/2 X 8	125 LB.	A.B.	426599-041	
3 X 2 X 8	125 LB.	C.I.	426125-011	
3 X 2 X 8	250 LB.	D.I	426126-031	
3 X 2 X 8	125 LB.	A.B.	426125-041	

CASINGS CONTINUED ON PAGE 7

4030 PUMP PARTS

CENTERLINE DISCHARGE

"S" SIZE 7/8" IMPELLER BORE ----- 7/8" SHAFT DIAMETER AT COUPLER

1 1/4" MECHANICAL SEAL

ITEM 100 CASING (cont'd)				
PUMP SIZE	PRESSURE RATING	CONST.	PART NUMBER	BAR CODE
3 X 2 1/2 X 8	125 LB.	C.I.	427236-011	
3 X 2 1/2 X 8	250 LB.	D.I.	427237-031	
3 X 2 1/2 X 8	125 LB.	A.B.	427236-041	
4 X 3 X 8	125 LB.	C.I.	426129-011	
4 X 3 X 8	250 LB.	D.I.	426130-031	
4 X 3 X 8	125 LB.	A.B.	426129-041	
5 X 4 X 8	125 LB.	C.I.	426107-011	
5 X 4 X 8	250 LB.	D.I.	426108-031	
5 X 4 X 8	125 LB.	A.B.	426107-041	
6 X 4 X 8W	125 LB.	C.I.	426624-011	
6 X 4 X 8W	250 LB.	D.I.	426625-031	
6 X 4 X 8W	125 LB.	A.B.	426624-041	
8 X 8 X 8	125 LB.	C.I.	427913-011	
8 X 8 X 8	250 LB.	D.I.	427913-031	
8 X 8 X 8	125 LB.	A.B.	427913-041	
2 X 1 X 10	125 LB.	C.I.	426137-011	
2 X 1 X 10	250 LB.	D.I.	426138-031	
2 X 1 X 10	125 LB.	A.B.	426137-041	
2 X 1.5 X 10	125 LB.	C.I.	426259-011	
2 X 1.5 X 10	250 LB.	D.I.	426260-031	
2 X 1.5 X 10	125 LB.	A.B.	426259-041	
3 X 1 1/2 X 10	125 LB.	C.I.	426139-011	
3 X 1 1/2 X 10	250 LB.	D.I.	426140-031	
3 X 1 1/2 X 10	125 LB.	A.B.	426139-041	

CASINGS CONTINUED ON PAGE 8

4030 PUMP PARTS

CENTERLINE DISCHARGE

"S" SIZE 7/8" IMPELLER BORE ----- 7/8" SHAFT DIAMETER AT COUPLER

1 1/4" MECHANICAL SEAL

ITEM 100 CASING (cont'd)

PUMP SIZE	PRESSURE RATING		PART NUMBER	BAR CODE
3 X 2 X 10	125 LB.	C.I.	426143-011	
3 X 2 X 10	250 LB.	D.I.	426144-031	
3 X 2 X 10	125 LB.	A.B.	426143-041	
3 X 2 1/2 X 10	125 LB.	C.I.	427290-011	
3 X 2 1/2 X 10	250 LB.	D.I.	427291-031	
3 X 2 1/2 X 10	125 LB.	A.B.	427290-041	
4 X 3 X 10	125 LB.	C.I.	426149-011	
4 X 3 X 10	250 LB.	D.I.	426150-031	
4 X 3 X 10	125 LB.	A.B.	426149-041	
5 X 4 X 10	125 LB.	C.I.	426111-011	
5 X 4 X 10	250 LB.	D.I.	426112-031	
5 X 4 X 10	125 LB.	A.B.	426111-041	
6 X 4 X 10	125 LB.	C.I.	426153-011	
6 X 4 X 10	250 LB.	D.I.	426154-011	
6 X 4 X 10	125 LB.	A.B.	426153-041	
6 X 5 X 10	125 LB.	C.I.	427238-011	
6 X 5 X 10	250 LB.	D.I.	427239-041	
6 X 5 X 10	125 LB.	A.B.	427238-041	
4 X 3 X 11 1/2	125 LB.	C.I.	426147-011	
4 X 3 X 11 1/2	250 LB.	D.I.	426148-031	
4 X 3 X 11 1/2	125 LB.	A.B.	426147-041	
5 X 4 X 11 1/2	125 LB.	C.I.	426151-011	
5 X 4 X 11 1/2	250 LB.	D.I.	426152-031	
5 X 4 X 11 1/2	125 LB.	A.B.	426152-041	

4030 PUMP PARTS

CENTERLINE DISCHARGE

"S" SIZE 7/8" IMPELLER BORE ----- 7/8" SHAFT DIAMETER AT COUPLER

1 1/4" MECHANICAL SEAL

ITEM 80 IMPELLER*

PUMP SIZE	CONSTRUCTION**	PART NUMBER	BAR CODE
1 1/2 X 1 X 6	B. F. & A. B.	427101-041	
1 1/2 X 1 X 6	D. I. & A. I.	427101-011	
3 X 1 1/2 X 6	B. F. & A. B.	427109-041	
3 X 1 1/2 X 6	D. I. & A. I.	427109-011	
3 X 2 X 6	B. F. & A. B.	427111-041	
3 X 2 X 6	D. I. & A. I.	427111-011	
3 X 2 1/2 X 6	B. F. & A. B.	427103-041	
3 X 2 1/2 X 6	D. I. & A. I.	427103-011	
4 X 3 X 6	B. F. & A. B.	427117-041	
4 X 3 X 6	D. I. & A. I.	427117-011	
6 X 6 X 6	B. F. & A. B.	427909-041	
6 X 6 X 6	D. I. & A. I.	427909-011	
1 1/2 X 1 X 8	B. F. & A. B.	426228-041	
1 1/2 X 1 X 8	D. I. & A. I.	426228-011	
3 X 1 1/2 X 8	B. F. & A. B.	427121-041	
3 X 1 1/2 X 8	D. I. & A. I.	427121-011	
3 X 2 X 8	B. F. & A. B.	427125-041	
3 X 2 X 8	D. I. & A. I.	427125-011	
3 X 2 1/2 X 8	B. F. & A. B.	427127-041	
3 X 2 1/2 X 8	D. I. & A. I.	427127-011	
4 X 3 X 8	B. F. & A. B.	427129-041	
4 X 3 X 8	D. I. & A. I.	427129-011	
5 X 4 X 8	B. F. & A. B.	427137-041	
5 X 4 X 8	D. I. & A. I.	427137-011	

Notes: * Impeller Part Numbers are for unbalanced, full diameter impellers. Always specify the Pump Serial Number. If possible, measure the diameter of the impeller being replaced.

A. B. Denotes "ALL Bronze" construction. Parts in contact with the pumped liquid are bronze, copper or stainless steel.

** B. F. Denotes "Bronze Fitted" construction. Parts in contact with the pumped liquid are bronze or copper, except casing and adapter.

A. I. Denotes "All Iron" construction. Parts in contact with the pumped liquid are cast iron or steel, except shaft sleeve & mechanical seal.

IMPELLERS CONTINUED ON PAGE 10

4030 PUMP PARTS

CENTERLINE DISCHARGE

"S" SIZE 7/8" IMPELLER BORE ----- 7/8" SHAFT DIAMETER AT COUPLER

1 1/4" MECHANICAL SEAL

ITEM 80 IMPELLER* (cont'd)

PUMP SIZE	CONSTRUCTION**	PART NUMBER	BAR CODE
6 X 4 X 8W	B. F. & A. B.	427137-041	
6 X 4 X 8W	D. I. & A. I.	427137-011	
8 X 8 X 8	B. F. & A. B.	427917-041	
8 X 8 X 8	D. I. & A. I.	427917-011	
2 X 1 X 10	B. F. & A. B.	427151-041	
2 X 1 X 10	D. I. & A. I.	427151-011	
2 X 1.5 X 10	B. F. & A. B.	426255-041	
2 X 1.5 X 10	D. I. & A. I.	426255-011	
3 X 1 1/2 X 10	B. F. & A. B.	427151-041	
3 X 1 1/2 X 10	D. I. & A. I.	427151-011	
3 X 2 X 10	B. F. & A. B.	427163-041	
3 X 2 X 10	D. I. & A. I.	427163-011	
3 X 2 1/2 X 10	B. F. & A. B.	427123-041	
3 X 2 1/2 X 10	D. I. & A. I.	427123-011	
4 X 3 X 10	B. F. & A. B.	427149-041	
4 X 3 X 10	D. I. & A. I.	427149-011	
5 X 4 X 10	B. F. & A. B.	427153-041	
5 X 4 X 10	D. I. & A. I.	427153-011	
6 X 4 X 10	B. F. & A. B.	427153-041	
6 X 4 X 10	D. I. & A. I.	427153-011	
6 X 5 X 10	B. F. & A. B.	427159-041	
6 X 5 X 10	D. I. & A. I.	427159-011	
4 X 3 X 11 1/2	B. F. & A. B.	426281-041	
4 X 3 X 11 1/2	D. I. & A. I.	426281-011	
5 X 4 X 11 1/2	B. F. & A. B.	426283-041	
5 X 4 X 11 1/2	D. I. & A. I.	426283-011	

Notes: * Impeller Part Numbers are for unbalanced, full diameter impellers. Always specify the Pump Serial Number. If possible, measure the diameter of the impeller being replaced.

A. B. Denotes "ALL Bronze" construction. Parts in contact with the pumped liquid are bronze, copper or stainless steel.

** B. F. Denotes "Bronze Fitted" construction. Parts in contact with the pumped liquid are bronze or copper, except casing and adapter.

A. I. Denotes "All Iron" construction. Parts in contact with the pumped liquid are cast iron or steel, except shaft sleeve & mechanical seal.

4030 PUMP PARTS

CENTERLINE DISCHARGE

"S" SIZE 7/8" IMPELLER BORE ----- 7/8" SHAFT DIAMETER AT COUPLER

1 1/4" MECHANICAL SEAL

ITEM 122 CASING CAPSCREW & WASHER				
PUMP SIZE	NO. REQ'D	SIZE	PART NUMBER	BAR CODE
1 1/2 X 1 X 6 3 X 1 1/2 X 6 3 X 2 X 6 3 X 2 1/2 X 6 4 X 3 X 6 6 X 6 X 6	8 8	CAPSCREW 1/2" - 13NC X 1 1/4"LG. WASHER 1/2" - SAE FLAT	911125-110 927117-100	
1 1/2 X 1 X 8	8	HX. HD. CAPSCREW 5/8" - 11NC X 1 1/2"LG.	911129-112	
3 X 1 1/2 X 8	8	WASHER 5/8" - SAE FLAT	927121-100	
3 X 2 X 8 3 X 2 1/2 X 8 4 X 3 X 8 5 X 4 X 8 6X4X8 8X8X8	8 8	HX. HD. CAPSCREW 5/8" - 11NC X 1 1/2"LG. WASHER 5/8" - SAE FLAT	911129-112 927121-100	
2 X 1 X 10 2X1.5X10 3 X 1 1/2 X 10 3 X 2 X 10 3 X 2 1/2 X 10 4 X 3 X 10 5 X 4 X 10 6 X 4 X 10 6 X 5 X 10	12 12	HX. HD. CAPSCREW 5/8" - 11NC X 1 1/2"LG. WASHER 5/8 - SAE FLAT	911129-112 927121-100	
4 X 3 X 11 1/2	16	HX. HD. CAPSCREW 5/8" - 11NC X 1 1/2"LG.	911125-112	
5 X 4 X 11 1/2	16	WASHER 1/2"- SAE FLAT	927117-100	

4030 PUMP PARTS

CENTERLINE DISCHARGE

"S" SIZE 7/8" IMPELLER BORE ----- 7/8" SHAFT DIAMETER AT COUPLER

1 1/4" MECHANICAL SEAL

ITEM 40 ADAPTER

125 LB. -- BRONZE FITTED & ALL IRON CONSTRUCTION

PUMP SIZE	FRAME 56 143 - 184T	FRAMES 213 - 215T	FRAMES 254 - 256T	BAR CODE
1 1/2 X 1 X 6	426746-011	426746-011		
3 X 1 1/2 X 6	426746-011	426746-011		
3 X 2 X 6	426746-011	426746-011		
3 X 2 1/2 X 6	426746-011	426746-011		
4 X 3 X 6	426746-011	426746-011		
6 X 6 X 6	426746-011	426746-011		
1 1/2 X 1 X 8	426749-011	426749-011		
3 X 1 1/2 X 8	426749-011	426749-011		426749-011
3 X 2 X 8	426749-011	426749-011		426749-011
3 X 2 1/2 X 8	426749-011	426749-011		426749-011
4 X 3 X 8	426749-011	426749-011		
5 X 4 X 8	426749-011	426749-011		
6 X 4 X 8W	426749-011	426749-011		
8 X 8 X 8	426749-011			
2 X 1 X 10	426753-011	426753-011		
2 X 1.5 X 10	426753-011	426753-011		
3 X 1 1/2 X 10	426753-011	426753-011		
3 X 2 X 10	426753-011	426753-011		
3 X 2 1/2 X 10	426753-011	426753-011		
4 X 3 X 10	426753-011	426753-011		426753-011
5 X 4 X 10	426753-011	426753-011		426753-011
6 X 4 X 10	426753-011	426753-011		426753-011
6 X 5 X 10	426753-011	426753-011		426753-011
4 X 3 X 11 1/2		426741-011	426741-011	
5 X 4 X 11 1/2		426741-011	426741-011	

4030 PUMP PARTS

CENTERLINE DISCHARGE

"S" SIZE 7/8" IMPELLER BORE ----- 7/8" SHAFT DIAMETER AT COUPLER

1 1/4" MECHANICAL SEAL

ITEM 40 ADAPTER				
125 LB. -- ALL BRONZE CONSTRUCTION				
PUMP SIZE	FRAME 56 143 - 184T	FRAMES 213 - 215T	FRAMES 254 - 256T	BAR CODE
1 1/2 X 1 X 6	426746-041	426746-041		
3 X 1 1/2 X 6	426746-041	426746-041		
3 X 2 X 6	426746-041	426746-041		
3 X 2 1/2 X 6	426746-041	426746-041		
4 X 3 X 6	426746-041	426746-041		
6 X 6 X 6	426746-041	426746-041		
1 1/2 X 1 X 8	426749-041	426749-041		
3 X 1 1/2 X 8	426749-041	426749-041	426749-041	
3 X 2 X 8	426749-041	426749-041	426749-041	
3 X 2 1/2 X 8	426749-041	426749-041	426749-041	
4 X 3 X 8	426749-041	426749-041		
5 X 4 X 8	426749-041	426749-041		
6 X 4 X 8W	426749-041	426749-041		
8 X 8 X 8	426749-041			
2 X 1 X 10	426753-041	426753-041		
2 X 1.5 X 10	426753-041	426753-041		
3 X 1 1/2 X 10	426753-041	426753-041		
3 X 2 X 10	426753-041	426753-041		
3 X 2 1/2 X 10	426753-041	426753-041		
4 X 3 X 10	426753-041	426753-041	426753-041	
5 X 4 X 10	426753-041	426753-041	426753-041	
6 X 4 X 10	426753-041	426753-041	426753-041	
6 X 5 X 10	426753-041	426753-041	426753-041	
4 X 3 X 11 1/2		426741-041	426741-041	
5 X 4 X 11 1/2		426741-041	426741-041	

4030 PUMP PARTS

CENTERLINE DISCHARGE

"S" SIZE 7/8" IMPELLER BORE ----- 7/8" SHAFT DIAMETER AT COUPLER

1 1/4" MECHANICAL SEAL

ITEM 40 ADAPTER

250 LB. -- DUCTILE IRON CONSTRUCTION

PUMP SIZE	FRAME 56 143 - 184T	FRAMES 213 - 215T	FRAMES 254 - 256T	BAR CODE
1 1/2 X 1 X 6	426746-031	426746-031		
3 X 1 1/2 X 6	426746-031	426746-031		
3 X 2 X 6	426746-031	426746-031		
3 X 2 1/2 X 6	426746-031	426746-031		
4 X 3 X 6	426746-031	426746-031		
6 X 6 X 6	426746-031	426746-031		
1 1/2 X 1 X 8	426749-031	426749-031		
3 X 1 1/2 X 8	426749-031	426749-031	426749-031	
3 X 2 X 8	426749-031	426749-031	426749-031	
3 X 2 1/2 X 8	426749-031	426749-031	426749-031	
4 X 3 X 8	426749-031	426749-031		
5 X 4 X 8	426749-031	426749-031		
6 X 4 X 8W	426749-031	426749-031		
8 X 8 X 8	426749-031			
2 X 1 X 10	426753-031	426753-031		
2 X 1.5 X 10	426753-031	426753-031		
3 X 1 1/2 X 10	426753-031	426753-031		
3 X 2 X 10	426753-031	426753-031		
3 X 2 1/2 X 10	426753-031	426753-031		
4 X 3 X 10	426753-031	426753-031	426753-031	
5 X 4 X 10	426753-031	426753-031	426753-031	
6 X 4 X 10	426753-031	426753-031	426753-031	
6 X 5 X 10	426753-031	426753-031	426753-031	
4 X 3 X 11 1/2		426741-031	426741-031	
5 X 4 X 11 1/2		426741-031	426741-031	

4030 PUMP PARTS

CENTERLINE DISCHARGE

"S" SIZE 7/8" IMPELLER BORE ----- 7/8" SHAFT DIAMETER AT COUPLER

1 1/4" MECHANICAL SEAL

ITEM 101 CASING GASKET			
PUMP SIZE	DIMENSIONS O.D X I.D. X THICKNESS	PART NUMBER	BAR CODE
1 1/2 X 1 X 6 3 X 1 1/2 X 6 3 X 2 X 6 3 X 2 1/2 X 6 4 X 3 X 6 6 X 6 X 6	7 1/16" X 8 1/4" X 1/16"	426401-002	
1 1/2 X 1 X 8 3 X 1 1/2 X 8 3 X 2 X 8 3 X 2 1/2 X 8 4 X 3 X 8 5 X 4 X 8 6 X 4 X 8W 8 X 8 X 8	9" X 8 1/4" X 1/16"	426401-003	
2 X 1 X 10 2 X 1.5 X 10 3 X 1 1/2 X 10 3 X 2 X 10 3 X 2 1/2 X 10 4 X 3 X 10 5 X 4 X 10 6 X 4 X 10 6 X 5 X 10	10 5/16" X 10 3/16" X 1/16"	426401-004	
4 X 3 X 11 1/2 5 X 4 X 11 1/2	12 5/16" X 11 9/16" X 1/16"	426401-006	

4030 PUMP PARTS

CENTERLINE DISCHARGE

"S" SIZE 7/8" IMPELLER BORE ----- 7/8" SHAFT DIAMETER AT COUPLER

1 1/4" MECHANICAL SEAL

ITEM 44

BEARING HOUSING, CAPSCREW, WASHER & NUT

PUMP SIZE	NO. REQ'D	SIZE	PART NUMBER	BAR CODE
1 1/2 X 1 X 6	4	CAPSCREW 3/8" - 16NC X 1 1/2" LG.	911121-112	
3 X 1 1/2 X 6				
3 X 2 X 6				
3 X 2 1/2 X 6				
4 X 3 X 6				
6 X 6 X 6				
1 1/2 X 1 X 8	4	CAPSCREW 3/8" - 16NC X 1 1/2" LG.	911121-112	
3 X 1 1/2 X 8				
3 X 2 X 8				
3 X 2 1/2 X 8				
4 X 3 X 8				
5 X 4 X 8				
6 X 4 X 8W	4	WASHER 3/8" FLAT	927114-100	
8 X 8 X 8				
2 X 1 X 10				
2 X 1.5 X 10				
3 X 1 1/2 X 10				
3 X 2 X 10				
3 X 2 1/2 X 10	4	NUT 3/8" - NC HEX. STD.	913121-100	
4 X 3 X 10				
5 X 4 X 10				
6 X 4 X 10				
6 X 5 X 10				
4 X 3 X 11 1/2				
5 X 4 X 11 1/2				

4030 PUMP PARTS

CENTERLINE DISCHARGE

"S" SIZE 7/8" IMPELLER BORE ----- 7/8" SHAFT DIAMETER AT COUPLER

1 1/4" MECHANICAL SEAL

PERMANENT GREASE LUBRICATION -- STANDARD SHAFT

BEARING FRAME ASSEMBLY

ITEM NUMBER	DESCRIPTION	PART NUMBER	BAR CODE
	BEARING FRAME ASSEMBLY(1)	826768-000	
20	BEARING HOUSING	426764-011	
21	SHAFT & SLEEVE ASSEMBLY	426760-001	
22	INBOARD BEARING	971101-364	
23	OUTBOARD BEARING	971101-684	
24	SNAP RING	923109-008	
29	BEARING CAP	426766-011	
32	BEARING CAPSCREWS 3/8-16X1 LG (4 REQ'D)	911121-108	
36	IMPELLER KEY	428160-708	
36	COUPLER KEY	428160-712	
39	WATER SLINGER	406622-000	

NOTE (1) ITEMS 20 TO 39 INCLUSIVE ARE INCLUDED IN THE BEARING FRAME ASSEMBLY

COMMON PARTS

ITEM NUMBER	DESCRIPTION	PART NUMBER BF, AB & AI	BAR CODE
62K	MECHANICAL SEAL ASSEMBLY	975000-982**	
83	IMPELLER WASHER	425742-001	
86	S/S IMPELLER CAPSCREW	911900-114	

** For liquids above 200°F/93°C use 9975001-813 (-613 if potable drinking water above 200°F/93°C)
For glycols above 30% by weight use 9975001-817 (-818 if above 200°F/93°C)

4030 PUMP PARTS

CENTERLINE DISCHARGE

"S" SIZE 7/8" IMPELLER BORE ----- 7/8" SHAFT DIAMETER AT COUPLER

1 1/4" MECHANICAL SEAL

PERMANENT GREASE LUBRICATION -- STAINLESS STEEL SHAFT

BEARING FRAME ASSEMBLY

ITEM NUMBER	DESCRIPTION	PART NUMBER	BAR CODE
	BEARING FRAME ASSEMBLY(1)	426768-071	
20	BEARING HOUSING	426764-011	
21	SHAFT & SLEEVE ASSEMBLY	426760-071	
22	INBOARD BEARING	971101-364	
23	OUTBOARD BEARING	971101-684	
24	SNAP RING	923109-008	
29	BEARING CAP	426766-011	
32	BEARING CAPSCREWS 3/8-16X1 LG (4 REQ'D)	911121-108	
36	IMPELLER KEY	428160-708	
36	COUPLER KEY	428160-712	
39	WATER SLINGER	406622-000	

NOTE (1) ITEMS 20 TO 39 INCLUSIVE ARE INCLUDED IN THE BEARING FRAME ASSEMBLY

COMMON PARTS

ITEM NUMBER	DESCRIPTION	PART NUMBER BF, AB & AI	BAR CODE
62K	MECHANICAL SEAL ASSEMBLY	975000-982**	
83	IMPELLER WASHER	425742-001	
86	S/S IMPELLER CAPSCREW	911900-119	

** For liquids above 200°F/93°C use 9975001-813 (-613 if potable drinking water above 200°F/93°C)
For glycols above 30% by weight use 9975001-817 (-818 if above 200°F/93°C)

4030 PUMP PARTS

CENTERLINE DISCHARGE

"S" SIZE 7/8" IMPELLER BORE ----- 7/8" SHAFT DIAMETER AT COUPLER

1 1/4" MECHANICAL SEAL

REGREASEABLE BEARINGS -- STANDARD SHAFT

BEARING FRAME ASSEMBLY			
ITEM NUMBER	DESCRIPTION	PART NUMBER	BAR CODE
	BEARING FRAME ASSEMBLY(1)	426769-000	
20	BEARING HOUSING	426764-012	
21	SHAFT & SLEEVE ASSEMBLY	426760-001	
22	INBOARD BEARING	971101-363	
23	OUTBOARD BEARING	971101-683	
24	SNAP RING	923109-008	
29	BEARING CAP	426766-012	
32	BEARING CAPSCREWS 3/8-16X1 LG (4 REQ'D)	911121-108	
36	IMPELLER KEY	428160-708	
36	COUPLER KEY	428160-712	
37	GREASE FITTING	425030-011	
39	WATER SLINGER	406622-000	
NOTE (1) ITEMS 20 TO 39 INCLUSIVE ARE INCLUDED IN THE BEARING FRAME ASSEMBLY			

COMMON PARTS			
ITEM NUMBER	DESCRIPTION	PART NUMBER BF, AB & AI	BAR CODE
62K	MECHANICAL SEAL ASSEMBLY	975000-982**	
83	IMPELLER WASHER	425742-001	
86	S/S IMPELLER CAPSCREW	911900-119	

** For liquids above 200°F/93°C use 9975001-813 (-613 if potable drinking water above 200°F/93°C)
For glycols above 30% by weight use 9975001-817 (-818 if above 200°F/93°C)

4030 PUMP PARTS

CENTERLINE DISCHARGE

"S" SIZE 7/8" IMPELLER BORE ----- 7/8" SHAFT DIAMETER AT COUPLER

1 1/4" MECHANICAL SEAL

REGREASEABLE BEARINGS -- STAINLESS STEEL SHAFT

BEARING FRAME ASSEMBLY

ITEM NUMBER	DESCRIPTION	PART NUMBER	BAR CODE
	BEARING FRAME ASSEMBLY(1)	426769-071	
20	BEARING HOUSING	426764-012	
21	SHAFT & SLEEVE ASSEMBLY	426760-071	
22	INBOARD BEARING	971101-363	
23	OUTBOARD BEARING	971101-683	
24	SNAP RING	923109-008	
29	BEARING CAP	426766-012	
32	BEARING CAPSCREWS 3/8-16X1 LG (4 REQ'D)	911121-108	
36	IMPELLER KEY	428160-708	
36	COUPLER KEY	428160-712	
37	GREASE FITTING (2 REQ'D)	425030-011	
39	WATER SLINGER	406622-000	

NOTE (1) ITEMS 20 TO 39 INCLUSIVE ARE INCLUDED IN THE BEARING FRAME ASSEMBLY

COMMON PARTS

ITEM NUMBER	DESCRIPTION	PART NUMBER BF, AB & AI	BAR CODE
62K	MECHANICAL SEAL ASSEMBLY	975000-982**	
83	IMPELLER WASHER	425742-001	
86	S/S IMPELLER CAPSCREW	911900-119	

** For liquids above 200°F/93°C use 9975001-813 (-613 if potable drinking water above 200°F/93°C)
For glycols above 30% by weight use 9975001-817 (-818 if above 200°F/93°C)

4030 PUMP PARTS

CENTERLINE DISCHARGE

"S" SIZE 7/8" IMPELLER BORE ----- 7/8" SHAFT DIAMETER AT COUPLER

1 1/4" MECHANICAL SEAL

OIL LUBRICATION -- STANDARD SHAFT

BEARING FRAME ASSEMBLY			
ITEM NUMBER	DESCRIPTION	PART NUMBER	BAR CODE
	BEARING FRAME ASSEMBLY(1)	426770-000	
20	BEARING HOUSING	426764-013	
21	SHAFT & SLEEVE ASSEMBLY	426760-001	
22	INBOARD BEARING	971101-915	
23	OUTBOARD BEARING	971101-916	
24	SNAP RING	923109-008	
28	OIL SEAL	965001-065	
29	BEARING CAP	426766-013	
31	"O" RING	961131-152	
32	BEARING CAPSCREWS 3/8-16X1 LG (4 REQ'D)	911121-108	
33	OIL VIEW GAUGE	116904-000	
34	AIR VENT	407444-000	
35	PIPE PLUG	937105-200	
36	IMPELLER KEY	428160-708	
36	COUPLER KEY	428160-712	
39	WATER SLINGER	406622-000	
NOTE (1) ITEMS 20 TO 39 INCLUSIVE ARE INCLUDED IN THE BEARING FRAME ASSEMBLY			

COMMON PARTS			
ITEM NUMBER	DESCRIPTION	PART NUMBER BF, AB & AI	BAR CODE
62K	MECHANICAL SEAL ASSEMBLY	975000-982**	
83	IMPELLER WASHER	425742-001	
86	S/S IMPELLER CAPSCREW	911900-119	

** For liquids above 200°F/93°C use 9975001-813 (-613 if potable drinking water above 200°F/93°C)
For glycols above 30% by weight use 9975001-817 (-818 if above 200°F/93°C)

4030 PUMP PARTS

CENTERLINE DISCHARGE

"S" SIZE 7/8" IMPELLER BORE ----- 7/8" SHAFT DIAMETER AT COUPLER

1 1/4" MECHANICAL SEAL

OIL LUBRICATION -- STAINLESS STEEL SHAFT

BEARING FRAME ASSEMBLY

ITEM NUMBER	DESCRIPTION	PART NUMBER	BAR CODE
	BEARING FRAME ASSEMBLY(1)	426770-071	
20	BEARING HOUSING	426764-013	
21	SHAFT & SLEEVE ASSEMBLY	426760-071	
22	INBOARD BEARING	971101-915	
23	OUTBOARD BEARING	971101-916	
24	SNAP RING	923109-008	
28	OIL SEAL	965001-065	
29	BEARING CAP	426766-013	
31	"O" RING	961131-152	
32	BEARING CAPSCREWS 3/8-16X1 LG (4 REQ'D)	911121-108	
33	OIL VIEW GAUGE	116904-000	
34	AIR VENT	407444-000	
35	PIPE PLUG	937105-200	
36	IMPELLER KEY	428160-708	
36	COUPLER KEY	428160-712	
39	WATER SLINGER	406622-000	

NOTE (1) ITEMS 20 TO 39 INCLUSIVE ARE INCLUDED IN THE BEARING FRAME ASSEMBLY

COMMON PARTS

ITEM NUMBER	DESCRIPTION	PART NUMBER BF, AB & AI	BAR CODE
62K	MECHANICAL SEAL ASSEMBLY	975000-982**	
83	IMPELLER WASHER	425742-001	
86	S/S IMPELLER CAPSCREW	911900-119	

** For liquids above 200°F/93°C use 9975001-813 (-613 if potable drinking water above 200°F/93°C)
For glycols above 30% by weight use 9975001-817 (-818 if above 200°F/93°C)

4030 PUMP PARTS

CENTERLINE DISCHARGE

"S" SIZE 7/8" IMPELLER BORE ----- 7/8" SHAFT DIAMETER AT COUPLER

1 1/4" MECHANICAL SEAL

ITEM 110 BRG. HSG. SUPPORT FOOT		
PUMP SIZE	PART NUMBER	BAR CODE
1 1/2 X 1 X 6	426999-001	
3 X 1 1/2 X 6	426999-001	
3 X 2 X 6	426999-002	
3 X 2 1/2 X 6	426999-002	
4 X 3 X 6	426999-002	
6 X 6 X 6	426999-002	
1 1/2 X 1 X 8	426999-001	
3 X 1 1/2 X 8	426999-002	
3 X 2 X 8	426999-003	
3 X 2 1/2 X 8	426999-003	
4 X 3 X 8	426999-003	
5 X 4 X 8	426999-004	
8 X 8 X 8	426999-006	
6 X 4 X 8W	426999-004	
2 X 1 X 10	426999-003	
2 X 1.5 X 10	426999-003	
3 X 1 1/2 X 10	426999-004	
3 X 2 X 10	426999-004	
3 X 2 1/2 X 10	426999-004	
4 X 3 X 10	426999-004	
5 X 4 X 10	426999-005	
6 X 4 X 10	426999-005	
6 X 5 X 10	426999-005	
4 X 3 X 11 1/2	426999-004	
5 X 4 X 11 1/2	426999-005	

ITEM 106 CASING SUPPORT FOOT		
PUMP SIZE	PART NUMBER	BAR CODE
1 1/2 X 1 X 6	426551-000	
3 X 1 1/2 X 6	426552-000	
3 X 2 X 6	426554-000	
3 X 2 1/2 X 6	426554-000	
4 X 3 X 6	Not Req'd	
6 X 6 X 6	426554-000	
1 1/2 X 1 X 8	426670-004	
3 X 1 1/2 X 8	426554-000	
3 X 2 X 8	426554-000	
3 X 2 1/2 X 8	426554-000	
4 X 3 X 8	426554-000	
5 X 4 X 8	426554-000	
6 X 4 X 8W	426554-000	
8 X 8 X 8	Not Req'd	
2 X 1 X 10	426554-000	
2 X 1.5 X 10	426554-000	
3 X 1 1/2 X 10	Not Req'd	
3 X 2 X 10	Not Req'd	
3 X 2 1/2 X 10	Not Req'd	
4 X 3 X 10	Not Req'd	
5 X 4 X 10	Not Req'd	
6 X 4 X 10	Not Req'd	
6 X 5 X 10	Not Req'd	
4 X 3 X 11 1/2	Not Req'd	
5 X 4 X 11 1/2	Not Req'd	

4030 PUMP PARTS

CENTERLINE DISCHARGE

"S" SIZE 7/8" IMPELLER BORE ----- 7/8" SHAFT DIAMETER AT COUPLER

1 1/4" MECHANICAL SEAL

ITEM 112 BRG. SUPPORT FOOT CAPSCREW (Upper)

PUMP SIZE	NO. REQ'D	SIZE	PART NUMBER	BAR CODE
ALL SIZES	1	1/2" - 13NC X 1" LG	911125-108	

ITEM 112 BRG. SUPPORT FOOT CAPSCREW WASHER (Upper)

PUMP SIZE	NO. REQ'D	SIZE	PART NUMBER	BAR CODE
ALL SIZES	1	1/2" FLAT	927117-100	

ITEM 124 BRG. SUPPORT FOOT CAPSCREW (Lower)

PUMP SIZE	NO. REQ'D	SIZE	PART NUMBER	BAR CODE
ALL SIZES	1	7/16" - 14NC X 1" LG	911128-108	

ITEM 124 BRG. SUPPORT FOOT CAPSCREW WASHER (Lower)

PUMP SIZE	NO. REQ'D	SIZE	PART NUMBER	BAR CODE
ALL SIZES	1	7/16" FLAT	927116-100	

4030 PUMP PARTS

CENTERLINE DISCHARGE

"S" SIZE 7/8" IMPELLER BORE ----- 7/8" SHAFT DIAMETER AT COUPLER

1 1/4" MECHANICAL SEAL

ITEM 108 CASING SUPPORT FOOT CAPSCREW (To Casing)							
PUMP SIZE	NO. REQ'D	SIZE	PART NUMBER	BAR CODE			
1 1/2 X 1 X 6 3 X 1 1/2 X 6	1	5/16" - 16 NC x 1" LG	911119-108				
3 X 2 X 6 3 X 2 1/2 X 6 4 X 3 X 6 6 X 6 X 6 1 1/2 X 1 X 8 3 X 1 1/2 X 8	2	1/2" - 13 NC x 1" LG	911125-108				
3 X 2 X 8 3 X 2 1/2 X 8 4 X 3 X 8 5 X 4 X 8 6 X 4 X 8W 8 X 8 X 8 2 X 1 X 10 2 X 1.5 X 10 3 X 1 1/2 X 10 3 X 2 X 10							
3 X 2 1/2 X 10 4 X 3 X 10 5 X 4 X 10 6 X 4 X 10 6 X 5 X 10 4 X 3 X 11 1/2 5 X 4 X 11 1/2							
NOT REQUIRED							

4030 PUMP PARTS

CENTERLINE DISCHARGE

"S" SIZE 7/8" IMPELLER BORE ----- 7/8" SHAFT DIAMETER AT COUPLER

1 1/4" MECHANICAL SEAL

ITEM 122 CASING SUPPORT FOOT CAPSCREW & WASHER (1)

PUMP SIZE	NO. REQ'D	SIZE	PART NUMBER	BAR CODE
1 1/2 X 1 X 6	2	CAPSCREW 7/16" - 11 NC X 1 1/4" LG.	911123-112	
3 X 1 1/2 X 6				
3 X 2 X 6				
3 X 2 1/2 X 6				
4 X 3 X 6				
6 X 6 X 6				
*1 1/2 X 1 X 8				
3 X 1 1/2 X 8				
3 X 2 X 8				
3 X 2 1/2 X 8				
4 X 3 X 8				
5 X 4 X 8				
6 X 4 X 8W				
8 X 8 X 8				
2 X 1 X 10				
2 X 1.5 X 10				
3 X 1 1/2 X 10	2	WASHER 7/16" FLAT	927116-100	
3 X 2 X 10				
3 X 2 1/2 X 10				
4 X 3 X 10				
5 X 4 X 10				
6 X 4 X 10				
6 X 5 X 10				
4 X 3 X 11 1/2				
5 X 4 X 11 1/2				

NOTES: * For pumps 1 1/2 x 1 x 8, Frames 56T, 143-145T & 182 - 184T, use 2 Capscrews (7/16" - 11 NC x 2" LG.) - Part Number: 911123-116 and 2 Washers (7/16" Flat)
Part Number: 927116-100

4030 PUMP PARTS

CENTERLINE DISCHARGE

"S" SIZE 7/8" IMPELLER BORE ----- 7/8" SHAFT DIAMETER AT COUPLER

1 1/4" MECHANICAL SEAL

COUPLER SELECTION TABLE

(WOODS TYPE)

PUMP SHAFT SIZE	MOTOR FRAME SIZE	MOTOR SHAFT SIZE	COUPLER PART NUMBER	WOODS SIZE	BAR CODE
7/8"	56	5/8"	827010-000	4J	
7/8"	143T - 145T	7/8"	827011-000	4J	
7/8"	182T - 184T	1 1/8"	827012-000	5J	
7/8"	213T - 215T	1 3/8"	827013-000	6J	
7/8"	254T - 256T	1 5/8"	827014-000	7J	

COUPLER FLANGE PART NUMBERS

COUPLER PART NUMBER	MOTOR FRAME SIZE	FLANGE BORE	FLANGE PART NUMBER	WOODS SIZE	BAR CODE
827010-000	56	5/8"	975000-822	4J	
		7/8"	975000-823	4J	
827011-000	143T - 145T	7/8"	975000-823	4J	
		7/8"	975000-823	4J	

COUPLERS CONTINUED ON PAGE 28

4030 PUMP PARTS

CENTERLINE DISCHARGE

"S" SIZE 7/8" IMPELLER BORE ----- 7/8" SHAFT DIAMETER AT COUPLER

1 1/4" MECHANICAL SEAL

COUPLER FLANGE PART NUMBERS

COUPLER PART NUMBER	MOTOR FRAME SIZE	FLANGE BORE	FLANGE PART NUMBER	WOODS SIZE	BAR CODE
827012-000	182T - 184T	1 1/8"	975000-829	5J	
		7/8"	975000-827	5J	
827013-000	213T - 215T	1 3/8"	975000-836	6J	
		7/8"	975000-832	6J	
827014-000	254T - 256T	1 5/8"	975000-842	7J	
		7/8"	975000-838	7J	

COUPLER INSERT SELECTION TABLE

(WOODS TYPE)

COUPLER INSERT SIZE	INSERT NUMBER	PART NUMBER	ARMSTRONG BAR CODE
4J	4JE	875000-801	
5J	5JE	875000-802	
6J	6JE	875000-803	
7J	7JE	875000-804	