

ARMSTRONG

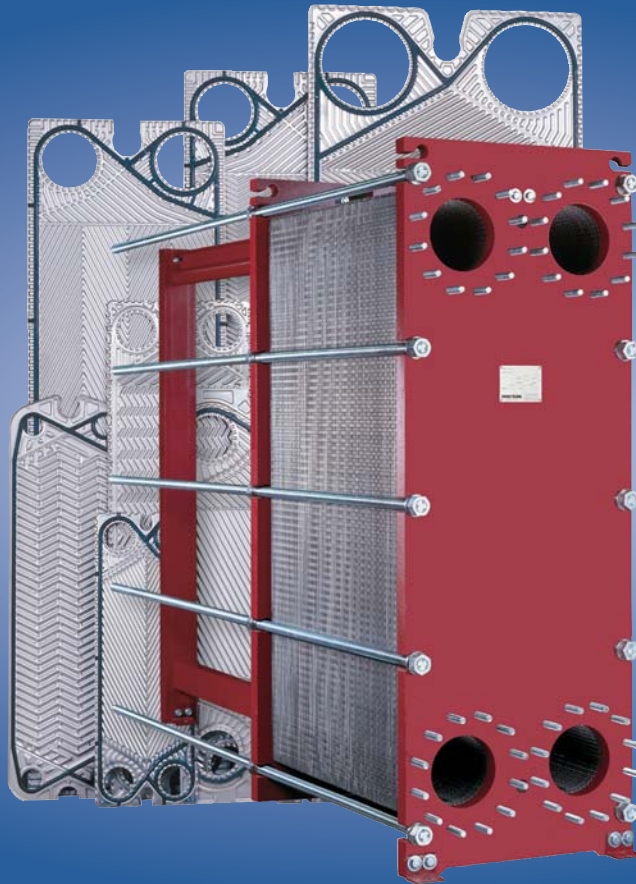
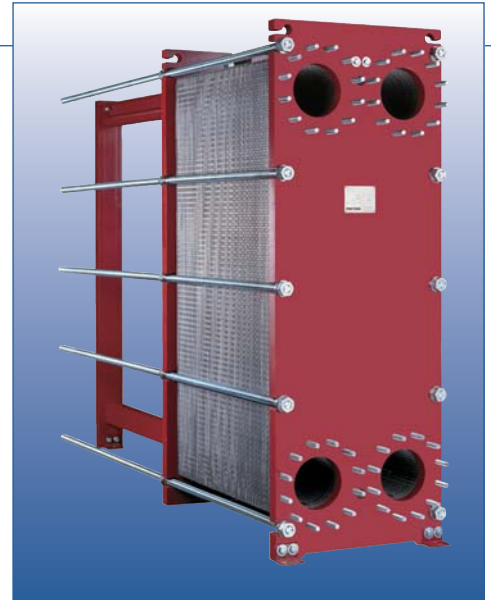


Plate Heat Exchangers

FILE NO:	113.12L
DATE:	August 2010
SUPERSEDES:	113.12
DATE:	April, 2009

Efficient Heat Transfer in a Compact Design



Armstrong's gasketed Plate Heat Exchanger (PHE) product line includes more than 20 different models and offers numerous configurations, connections and material options, providing a superior heat transfer solution for any HVAC application.

► Market Challenges

Rising demand for tenant space in commercial buildings and an ever-increasing focus on reducing energy consumption have created numerous challenges for designers and contractors. These challenges include the requirement for mechanical room optimisation and energy recovery or free cooling systems such as water-side economisers, geothermal heating/cooling and deep-lake water cooling. There is now, more than ever, a growing demand for compact heat exchangers capable of transferring heat at low approach temperatures to achieve greater temperature crossing, which saves energy.

In addition, factors such as global warming, high frequency of building conversions, and tighter plant rooms have led to a demand for heat exchangers that can be maintained easily and are flexible with regards to future expansion.

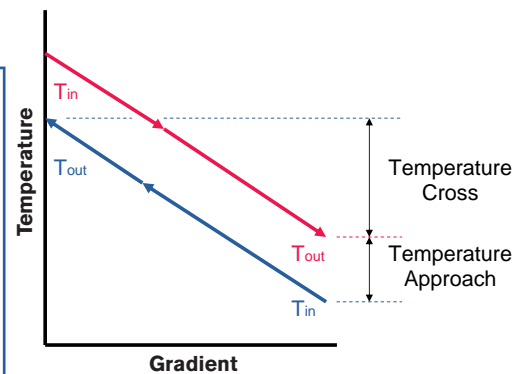
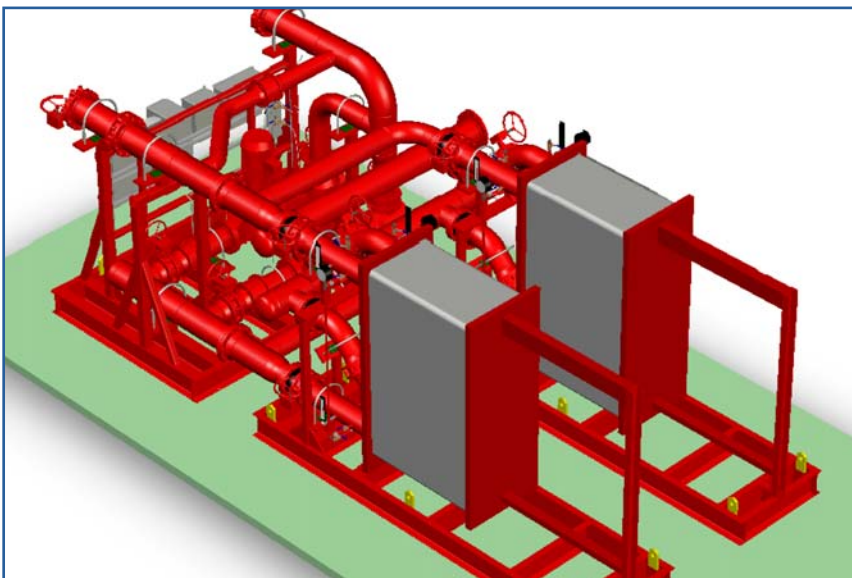


Plate Heat Exchangers

► Adding Value to Hydronic Systems

Space Savings

Due to their higher heat transfer capabilities, Armstrong X- Series plate heat exchangers can take up less than other designs, yet provide the same or better performance. The X-series plate have an extremely efficient plate pattern that produces higher heat transfer coefficients, less heat transfer surface area required and a smaller footprint especially for HVAC applications. For a typical cooling application of 1500 kw, the SX90-2000 provides the most compact solution for a given capacity.

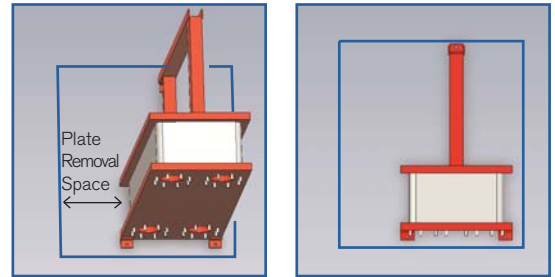


Plate heat exchanger footprint
Space required in metres (feet) = 0.7 (2.3) x 2.3 (7.5) = 1.6m² (17.3 ft²)
Based on Model SX96-2000

Project Risk Minimisation

All units are certified for safety by the appropriate agency (i.e. PED, ASME, TSSA, etc). Heat transfer plates can be added, replaced or removed easily to maintain or increase the system performance. Gaskets are vented between passages, so there is no cross contamination from a gasket failure. Every unit is provided with a safety shield that surrounds the plates and gaskets. Double-wall heat transfer plates are available for domestic water applications. Select models are available with a design pressure up to 24 bar (400 psi).

Maintenance

Single-pass PHE units are designed with all four system PHE connections on the fixed head. This ensures the unit can be easily maintained without having to break the connecting piping. In addition, plate heat exchangers can be installed in a corner of a mechanical room to optimise the space. When maintenance is required, plates can be removed and installed from one side of the unit. The gaskets are simple to replace and do not require any glue.

Installation Advantage

Connections are typically on the same plane for easy piping. Studded flanged connections reduce piping loads on the plate heat exchanger. Units can be certified at the factory and then shipped disassembled for delivery and installation in tight quarters. The vertical piping arrangement (inlet on top and outlet on bottom) of PHE Series units makes them ideal for condensing steam service.

Energy Efficiency

The Armstrong PHE Series achieves the highest efficiency and heat transfer rates by flowing the two media in opposite directions (counter-current) in a highly turbulent fashion. The temperature gain or loss between the hot fluid and the cold fluid at a given flow rate is the regeneration rate. With counter-current flows, high turbulence and optimized corrugation, Armstrong Series PHE units provide regeneration rates of up to 90%.

$$\% \text{ Regeneration} = (T_{in [\text{hot fluid}]} - T_{out [\text{hot fluid}]}) / (T_{in [\text{hot fluid}]} - T_{in [\text{cold fluid}]}) \times 100$$

The X Series plates are specifically designed to produce the highest heat transfer efficiencies.

Armstrong PHE Series heat exchangers offer multiple plate geometries to provide the optimum heat transfer solution for a given application.

Occupant Comfort

Armstrong PHE Series heat exchangers react quickly to system demand changes, and provide reduced down-time and longer life span due to corrosion resistant materials, anti-scaling effect (due to turbulent flow) and ease of maintenance.

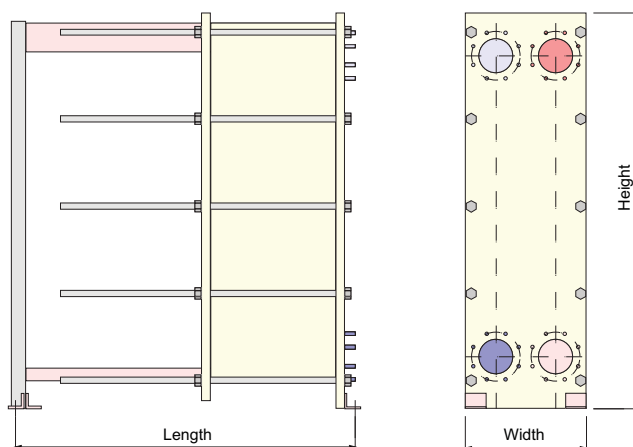


► Technical Data

Flow Range:	Up to 630 L/s (10,550 gpm)
Duty:	Up to 15,000 kW (50,000,000 btu/hr)
Max. Fluid Temperature:	
Nitrile Gaskets:	120 °C (250 °F)
EPDM Gaskets:	160 °C (320 °F)
Max. Working Pressure:	2757 kPa, 24 bar (400 psi)

► Materials of Construction

Plates:	304 and 316 Stainless Steel Titanium, SMO 254, Hastelloy, Incolloy, Nickel
Gaskets:	Nitrile, EPDM, Viton, PTFE



► Capacities, Dimensions & Weights

Model	Max. Flow Rate - l/s (gpm)	Connection Size	Height	Width	Max. Length	Max. Surface Area - m ² (ft ²)	Weight	
							Frame	Ea. Plate
M7	3.5 (60)	25 (1.0)	660 (26.0)	205 (8.0)	660 (26.0)	5 (65)	50.0 (115)	0.5 (1)
M9	3.5 (60)	25 (1.0)	890 (35.0)	205 (8.0)	890 (35.0)	15 (145)	70.0 (160)	0.5 (1)
SX13	25 (250)	65 (2.0)	790 (31.0)	355 (14.0)	1680 (66.0)	35 (390)	140.0 (300)	0.9 (2)
SX19	15 (250)	50 (2.0)	990 (39.0)	355 (14.0)	1680 (66.0)	55 (615)	210.0 (460)	0.9 (2)
S26	25 (450)	65 (2.5)	1220 (48.0)	380 (15.0)	2440 (96.0)	85 (935)	360.0 (790)	2.3 (5)
S36	40 (650)	75 (3.0)	1400 (55.0)	430 (17.0)	2700 (106.0)	125 (1325)	590.0 (1300)	2.3 (5)
SX29	60 (1000)	100 (4.0)	1120 (44.0)	540 (21.0)	2440 (96.0)	140 (1490)	480.0 (1070)	1.8 (4)
SX49	60 (1000)	100 (4.0)	1350 (53.0)	540 (21.0)	2440 (96.0)	195 (2100)	560.0 (1230)	2.3 (5)
S38	60 (1000)	100 (4.0)	1350 (53.0)	510 (20.0)	2720 (107.0)	90 (975)	570.0 (1260)	2.3 (5)
S66	130 (2200)	150 (6.0)	1930 (76.0)	610 (24.0)	3960 (156.0)	365 (3910)	1070.0 (2380)	4.5 (10)
S76	130 (2200)	150 (6.0)	1980 (78.0)	685 (27.0)	4270 (168.0)	410 (4420)	1340.0 (2980)	5.0 (11)
S/SX96	130 (2200)	150 (6.0)	2360 (93.0)	685 (27.0)	4270 (168.0)	545 (5890)	1550.0 (3430)	6.8 (15)
S48	240 (4000)	200 (8.0)	1600 (63.0)	760 (30.0)	2440 (96.0)	135 (1490)	1040.0 (2310)	3.6 (8)
S106	240 (4000)	200 (8.0)	2300 (90.0)	860 (34.0)	4270 (168.0)	585 (6300)	2340.0 (5200)	6.3 (14)
S136	240 (4000)	200 (8.0)	2700 (106.0)	860 (34.0)	4270 (168.0)	730 (7850)	2870.0 (6370)	7.7 (17)
S156	630 (10550)	350 (14.0)	2620 (103.0)	1145 (45.0)	4270 (168.0)	930 (10030)	5230.0 (11630)	7.7 (17)
S229	630 (10550)	350 (14.0)	3225 (127.0)	1145 (45.0)	4270 (168.0)	1305 (14060)	6210.0 (13800)	12.0 (26)
Double-Wall Models								
SX13D	15 (250)	65 (2.0)	790 (31.0)	355 (14.0)	1680 (66.0)	25 (290)	140.0 (300)	1.8 (4)
SX19D	15 (250)	50 (2.0)	990 (39.0)	355 (14.0)	1680 (66.0)	45 (460)	210.0 (460)	1.8 (4)
SX29D	60 (1000)	100 (4.0)	1120 (44.0)	540 (21.0)	2440 (96.0)	105 (1120)	480.0 (1070)	3.6 (8)
SX49D	60 (1000)	100 (4.0)	1350 (53.0)	540 (21.0)	2440 (96.0)	145 (1575)	560.0 (1230)	4.6 (10)
S66D	130 (2200)	150 (6.0)	1930 (76.0)	610 (24.0)	3960 (156.0)	270 (2930)	1070.0 (2380)	9.0 (20)

Note: · Dimensions are in mm (inches) and weights in kg (lbs)
· Frame weight is based on the maximum frame length, 10 bar (150 psi) design
· Dimensions based on 0.6 mm thick plates

Contact your local representative for information on additional models and capacities.

Plate Heat Exchangers

► Certifications

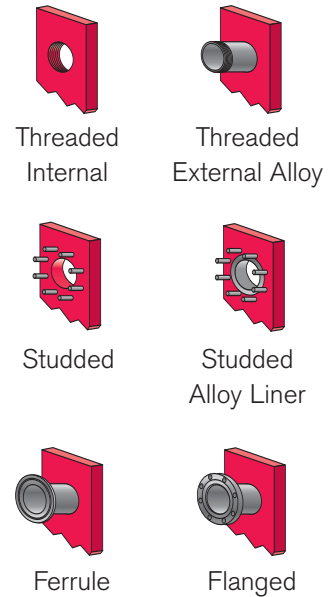
Safety: PED, ASME, CRN
Performance: ARI



► How It Works

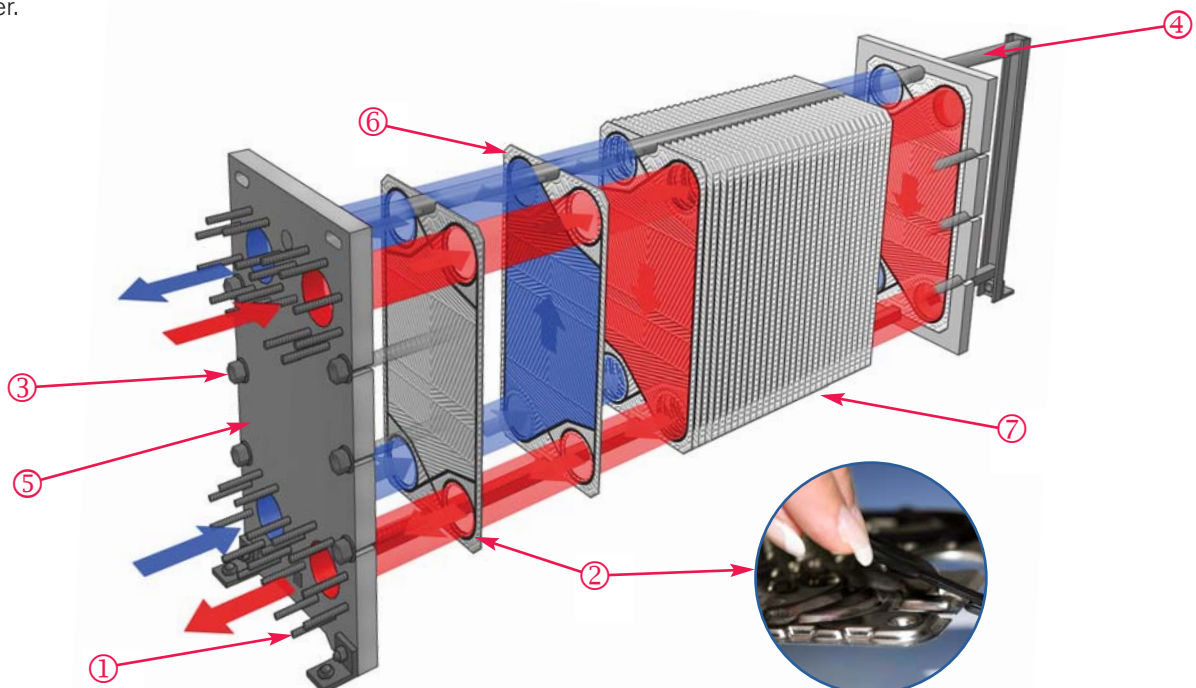
The Armstrong PHE Series uses robust stainless steel plates (standard construction) as the primary medium for heat transfer. Alternate materials such as SMO 254, a corrosion resistant steel alloy, and titanium are available on request. Each plate is stamped with an optimised corrugated design. The series of plates create alternating independent channels for both the process and service fluids. The two medium circuits are configured to induce true counter-current flow, enabling the heat exchanger to perform at extremely low temperature approaches. This is further improved by using Armstrong X Series plates. As each fluid passes through its individual channel, it flows over the 'chevrons' (the corrugated pattern), which increases fluid turbulence, and increases heat transfer through the plates. Heat is transferred from one medium to the other. The Armstrong PHE Series uses a gasketed seal to separate the service side from the process side.

► Standard Connection Types



► Design Features

- ① All connections are threaded or studded to the cover in order to eliminate nozzle loads caused by the piping.
- ② Gaskets are double-vented at the port area to eliminate cross contamination of the fluids. Gaskets are attached mechanically to the plate without glue. They attach to the plate only one way, eliminating assembly errors and wasted time during servicing. The gaskets are visible from outside the unit so proper installation is guaranteed.
- ③ Tightening bolts are designed so that all tightening is done from the fixed end (nuts at the moveable end are locked). Bolts are coated for corrosion resistance. This makes servicing the heat exchanger quicker and easier.
- ④ The bars that hold the plates are corrosion resistant for ease of maintenance.
- ⑤ Heavy duty pressure-retaining headers are designed using the latest stress calculation data, as per PED and ASME, to ensure longevity and safe service.
- ⑥ Heat transfer plates are stamped using an H or W pattern according to the application requirements.
- ⑦ An aluminum safety shield covers the top and sides of the plate pack.



► Typical Specifications

- 1.1 Furnish a plate heat exchanger as manufactured and designed by Armstrong completely assembled, inspected and tested to meet the thermal and hydraulic requirements of the schedule.
- 1.2 The heat exchanger design shall be in full accordance with the governing safety code: PED, ASME, TSSA.
- 1.3 The individual heat transfer plates that shall be pressed from a single sheet of 304SS, 316SS or titanium with a 2B finish in one step. The plate thickness shall be determined by the manufacturer to meet the design pressures and temperature. The plates shall be provided with a herringbone corrugation with a depth, spacing and thickness to meet a full differential pressure across the plate of 1.3 to 1.5 times the design pressure without deformation or failure.
- 1.4 Each plate shall have a gasket made from nitrile, EPDM or other material that shall be compatible with all the operating fluids and rated for continuous service at the design temperature. The gasket cross section shall be tent shaped, resulting in better sealing with less compressive stress.
- 1.5 Gaskets shall have vent grooves in the unused area of the plate to prevent intermixing of the fluids and to cause any leak by the gasket to be visually evident from outside the heat exchanger. The gasket groove in each plate shall be of the proper depth to contain 100% of the gasket profile.
- 1.6 Gaskets, unless otherwise approved, shall be of the glue-free clip-on type that mechanically attach to a specific U-shaped hole at the outer edge of the plate. Gasket clips shall be visible from the outside to verify proper installation. Glue-free gaskets that wrap around the outer edge of the plate and can be damaged shall not be used. For certain applications, glued on gaskets may be acceptable.
- 1.7 The pressure-retaining frame shall be designed and built to guarantee dependable operation and easy maintenance for the life of the heat exchanger. The frame shall be bolted together for ease of assembly and field installation. The unit covers shall be of sufficient uniform thickness and tightening bolt configuration to withstand all loadings.
- 1.8 The covers and all other carbon steel parts shall be cleaned, prepared and painted in accordance with Armstrong standards. For heat exchangers that are 1270 mm (50") or taller, the moveable cover shall be provided with a roller assembly to easily move it during assembly and plate inspection.
- 1.9 The preferred connection arrangement is all four connections on the fixed front cover. Flow arrangement shall be vertical. A diagonal flow pattern is not acceptable. Connections shall be integral with the cover in either studed DIN or BSP type to eliminate nozzle pipe loadings and leakage in the connection area.
- 2.0 The carrying bars for the plates and tightening bolts shall be stainless steel or zinc-coated carbon steel for rust prevention and ease of maintenance. Painted surfaces are not acceptable.
- 2.1 The frame and carrying bars shall be designed to allow for a plate expansion of at least 20% capacity while still providing maintenance space.
- 2.2 All units are to be provided with an aluminum safety shield for personal protection and to protect the plates and gaskets from the elements.
- 2.3 If ARI Certification is required, the supplier and the equipment must be listed at www.ahridirectory.org for liquid to liquid heat exchangers.

Additional Armstrong Solutions



The IVS Sensorless pump is designed to meet the needs of energy-efficient pumping systems in today's buildings. Traditional pumping systems, incorporating constant-speed pumps, waste energy through crude throttling valve flow control. Lifetime cost analysis shows that the capital cost of a constant-speed pump is typically only 5% of its lifetime cost.

Armstrong Integrated Limited
Wenlock Way
Manchester
United Kingdom, M12 5JL
T: +44 (0) 8444 145 145
F: +44 (0) 8444 145 146

S. A. Armstrong Limited
23 Bertrand Avenue
Toronto, Ontario
Canada, M1L 2P3
T: 001 416 755 2291
F: 001 416 759 9101

