



ARM*flo* E Series Spool Pieces

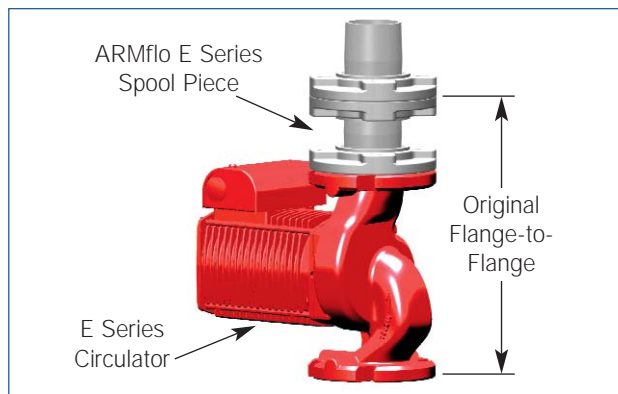
FILE NO:	10.161
DATE:	May 10, 2006
SUPERSEDES:	10.161
DATE:	Feb. 23, 2006

► Faster Installations

Armstrong ARMflo E Series Spool Pieces literally "bridge the gap" created when replacing a larger pump with a new, compact E Series circulator. Use these spool pieces to complete the job faster, and provide a "cleaner" installation.

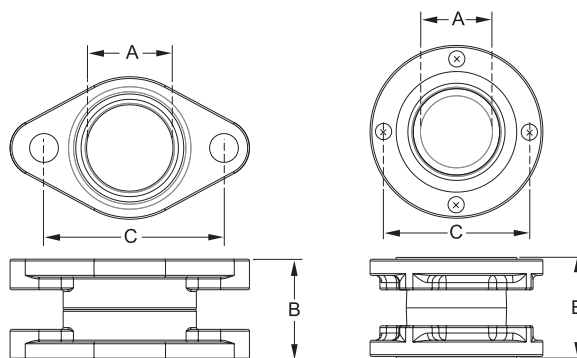
► Features and Benefits

- Matches flange-to-flange dimensions using existing piping
- Improves installation convenience, requiring fewer tools
- Provides a clean and professional, pre-painted installation
- Saves installation time and effort



► Dimensions

Model	Part No.	Pipe Size	Spool Length		Bolt Holes
			A	B	
ESP-1	180221-011	1 1/4"	3"	3 5/32"	
ESP-2	180222-011	1 1/4"	2 1/2"	3 5/32"	
ESP-4	180224-011	1 1/2"	3"	3 7/16"	
ESP-5	180225-011	1 1/2"	5"	3 7/16"	
ESP-6	180226-011	3"	1 1/2"	5 1/16"	
ESP-7	180227-011	3"	2 5/8"	5 1/16"	
ESP-8	180228-011	3"	3 1/2"	5 1/16"	
ESP-9	180229-011	3"	5 1/8"	5 1/16"	
ESP-10	180230-011	2"	5"	4"	
ESP-11	180231-011	1 1/2"	2 1/2"	3 7/16"	
ESP-12	180232-011	2"	3"	4"	
ESP-13	180233-011	2"	5 1/2"	4"	



Pump Model to be Replaced and Upgraded	Upgrade with E Model	ESP Model to use with E Series
Bell & Gossett		
2.5" / LD3	E28	ESP-6
HD3	E29	ESP-6
PD35	E30 - 3"	ESP-8
* 60-11	E17	ESP-2
* 60-15	E23	ESP-5
* 60-13	E24	ESP-4
60-14	E33 - 2"	ESP-12
* 601	E15	ESP-2
* 602	E17	ESP-2
* 607	E19	ESP-4
* 605	E21	ESP-2
* 622	E22	ESP-5
* 606	E24	ESP-11
615	E33 - 2"	ESP-10
PL55	E12	Not Required
PL130 - 2"	E30 - 2"	Not Required
PL130 - 3"	E30 - 3"	Not Required
Taco		
121 / 122	E28	ESP-7
131	E29	ESP-9
132	E30 - 3"	ESP-9
133	E33 - 3"	ESP-9
1400-50	E12	Not Required
1400-70	E33 - 2"	Not Required
Grundfos		
* UPS 32-80	E17	ESP-2
UP 43-70	E19	Not Required
* UPS 32-160	E22	ESP-11
UPS 43-110	E23	Not Required
* UPS 40-80/2	E24	ESP-5
UPS 50-80/2	E33 - 2"	ESP-13
Armstrong		
* H51	E15	ESP-1
* H52	E17	ESP-1
* H63	E23	ESP-5
H53	E24	ESP-4
S45	E28	ESP-6
S46	E29	ESP-6
S55	E30 - 3"	ESP-8
H54	E33 - 2"	ESP-12

* Flange rotated 90°

EXPERIENCE BUILDING...

S. A. Armstrong Limited
 23 Bertrand Avenue
 Toronto, Ontario
 Canada, M1L 2P3
 T: (416) 755-2291
 F (Main): (416) 759-9101

Armstrong Pumps Inc.
 93 East Avenue
 North Tonawanda, New York
 U.S.A., 14120-6594
 T: (716) 693-8813
 F: (716) 693-8970

Armstrong Holden Brooke Pullen
 Wenlock Way
 Manchester
 United Kingdom, M12 5JL
 T: +44 (0) 161 223 2223
 F: +44 (0) 161 220 9660



© S.A. Armstrong Limited 2006